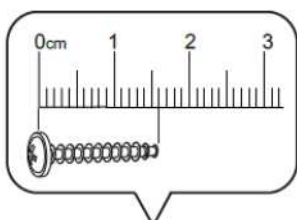
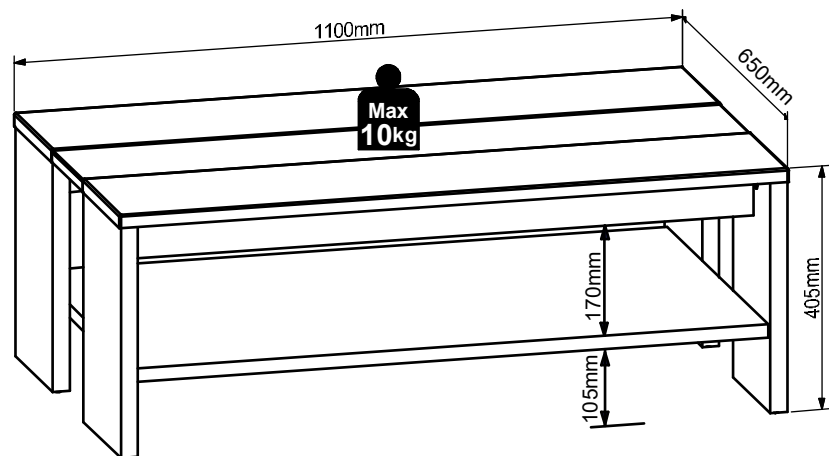
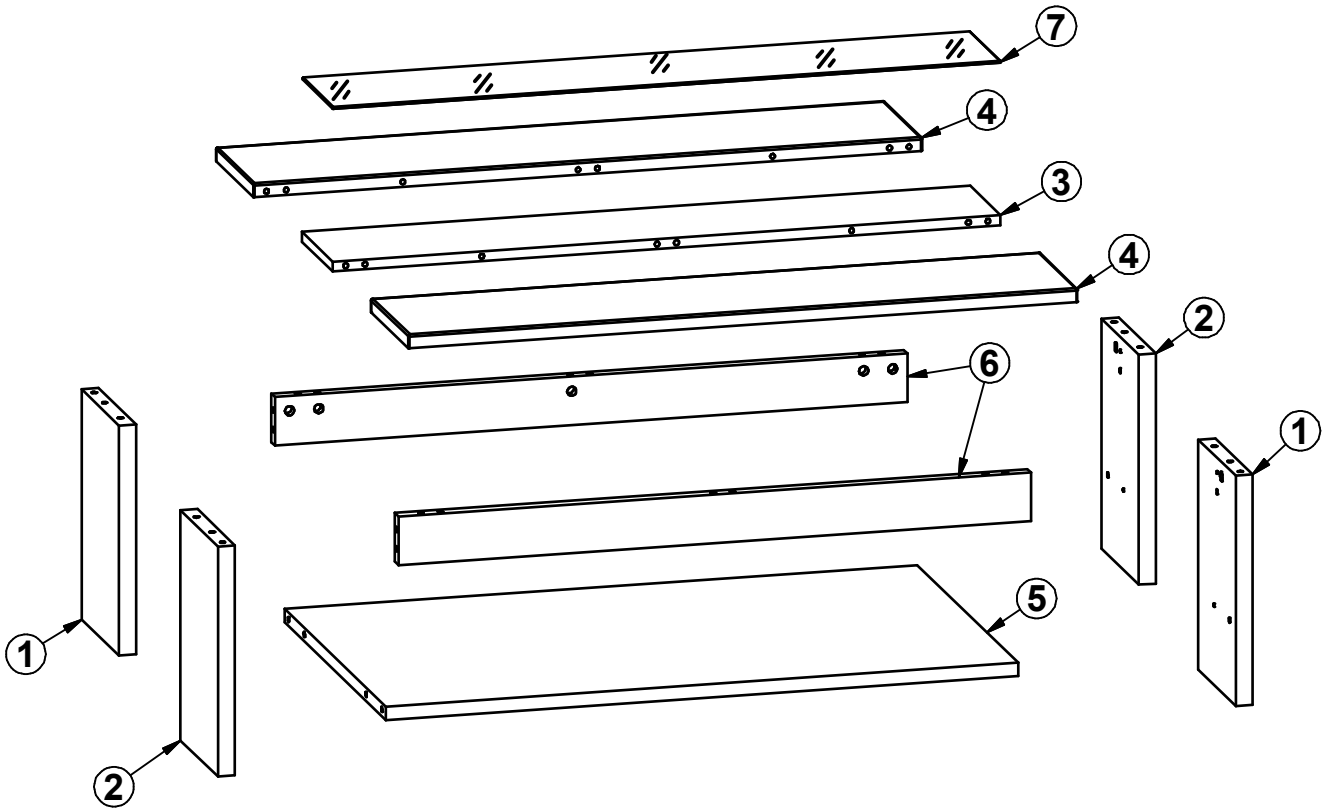
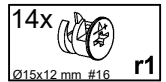
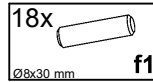
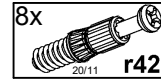
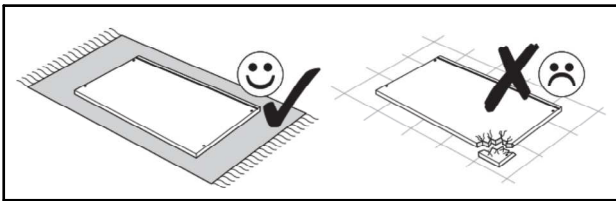
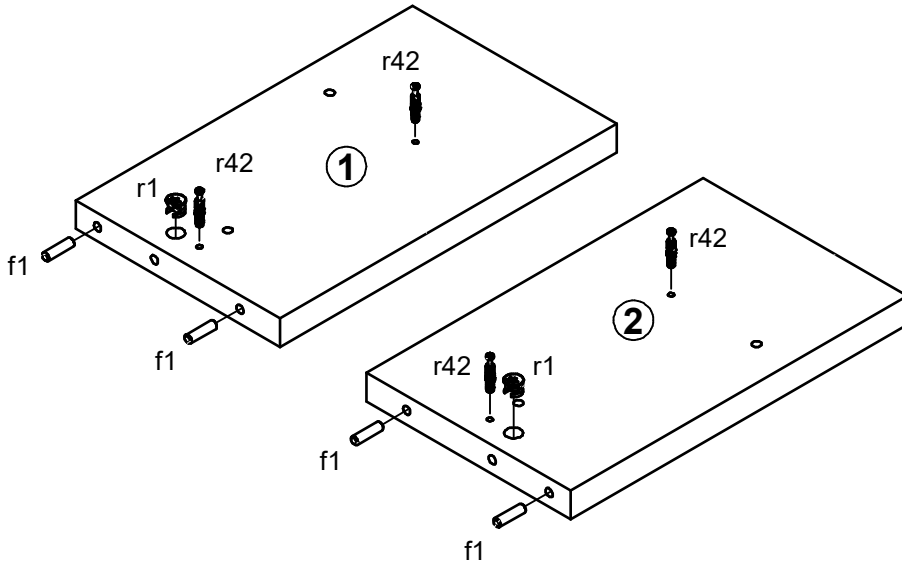


A	B1	B2	C1	C2	C3	D
1	S577-1001	-6	378	229	28	2/2
2	S577-1018	-8	378	229	28	2/2
3	S577-2005	-8	1098	188	16	1/2
4	S577-2010	-8	1100	231	22	1/2
5	S577-3010	-5	1040	620	22	2/2
6	S577-4004	-6	1040	80	22	2/2
7	S577-5505	-6	1098	187	4	1/2

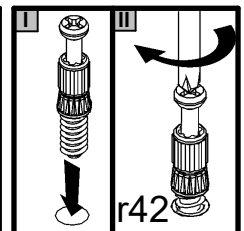
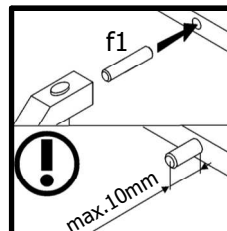
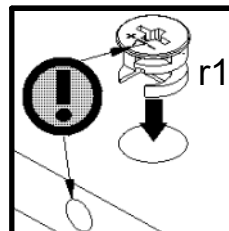
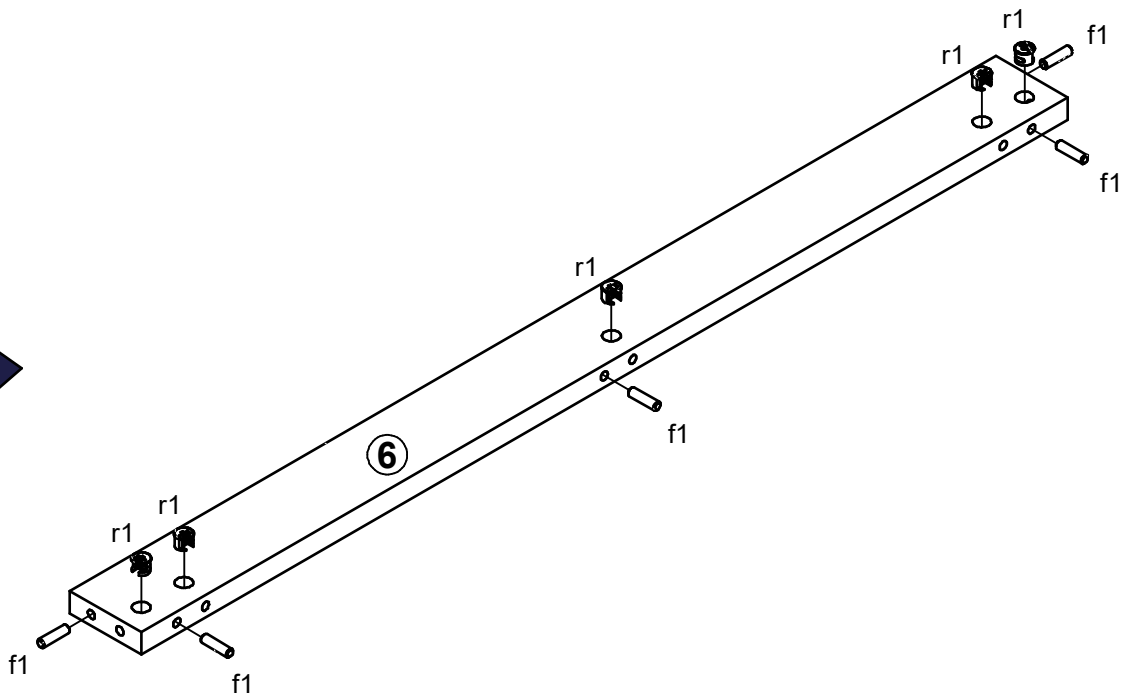


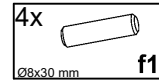


**1** ▶  
**2x**

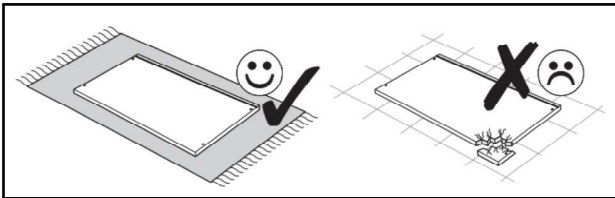
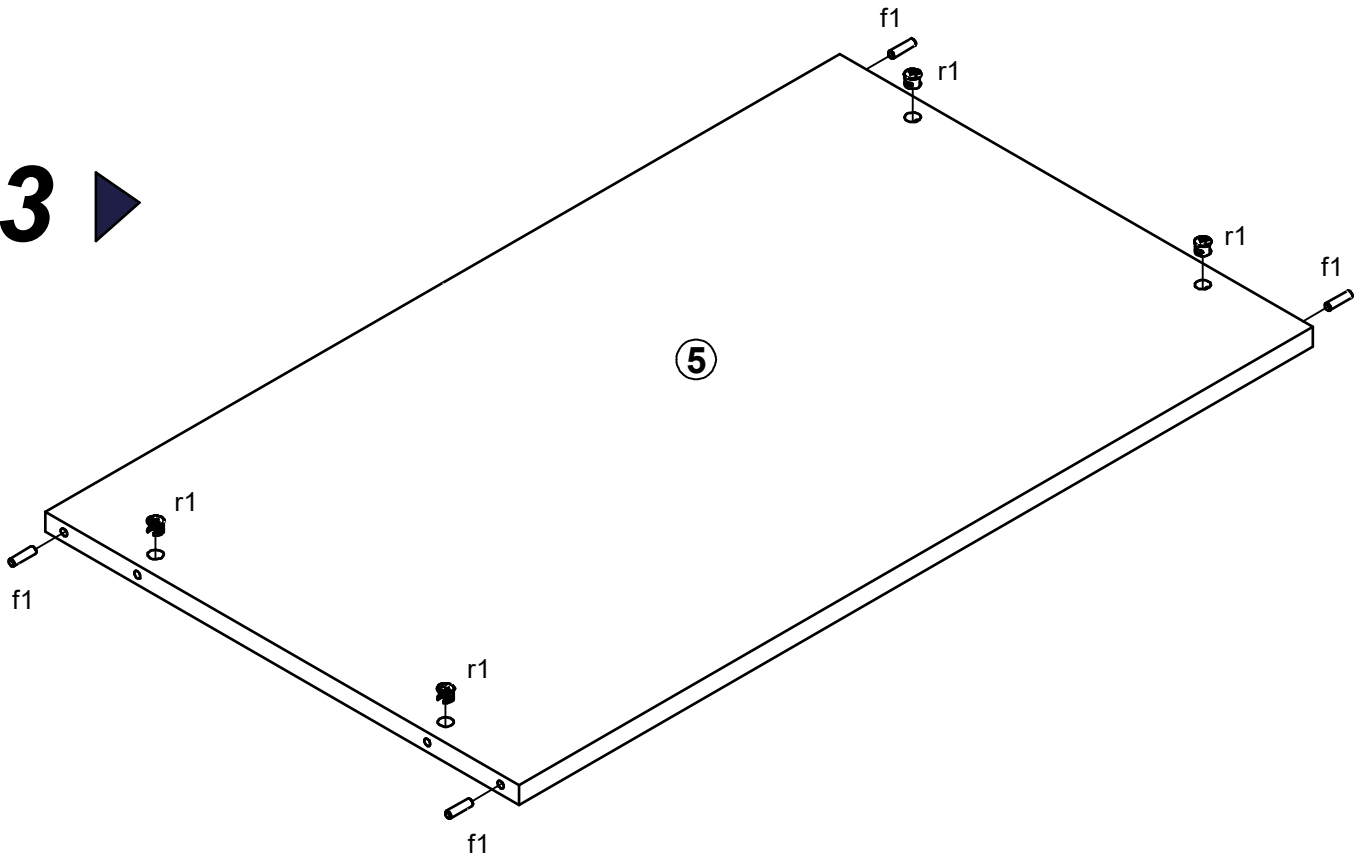


**2** ▶  
**2x**

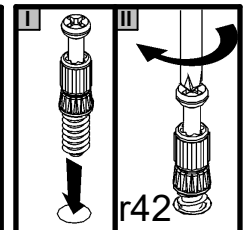
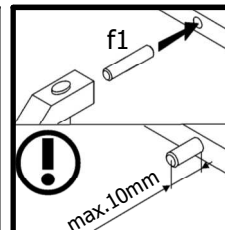
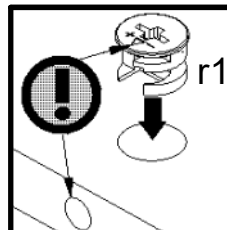
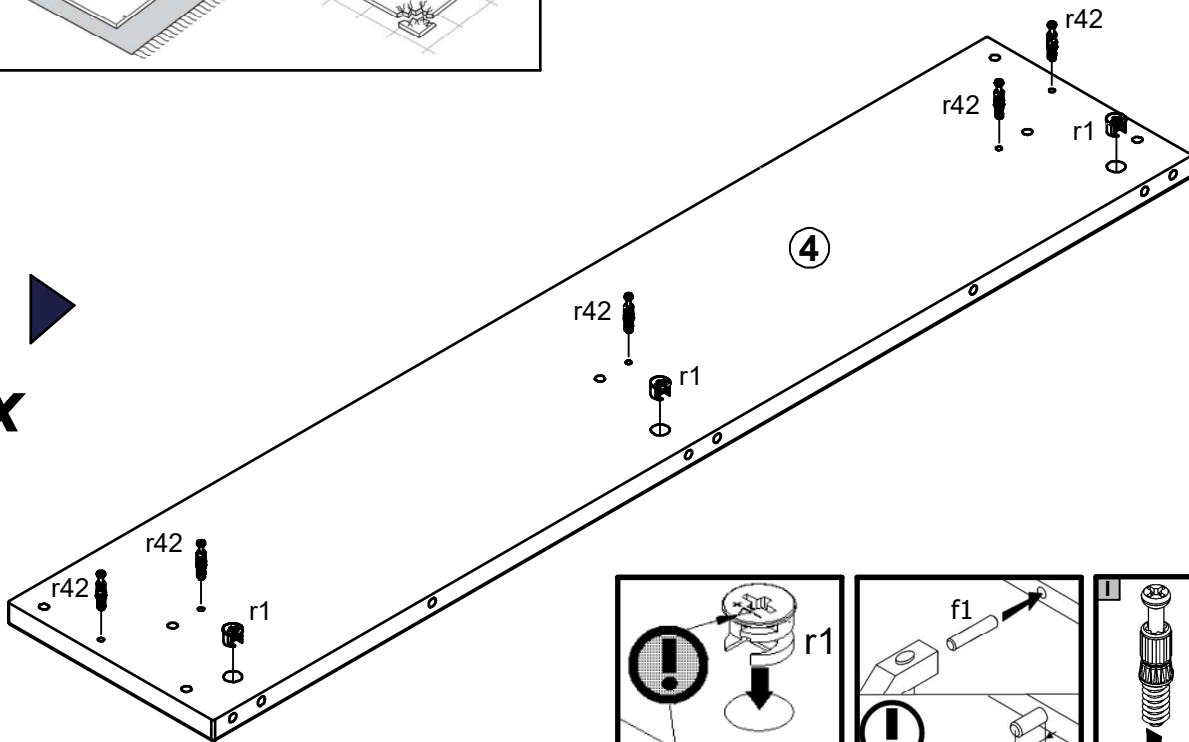


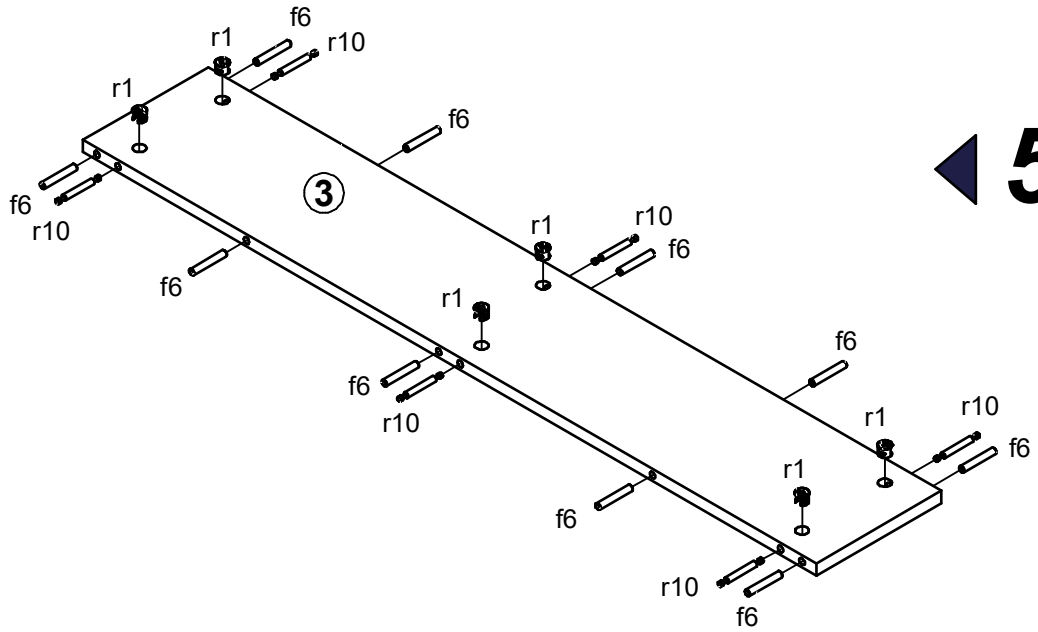
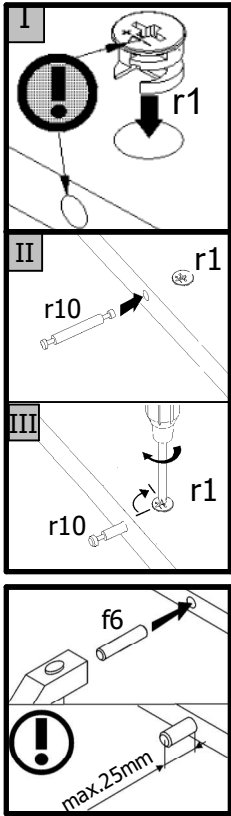
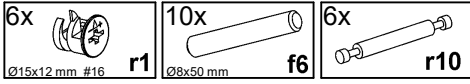


3 ▶

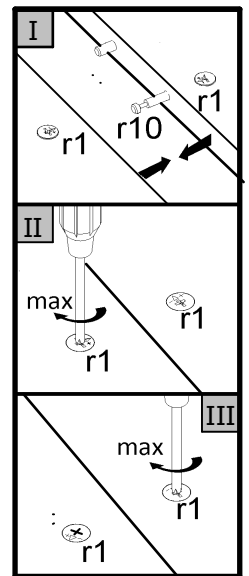
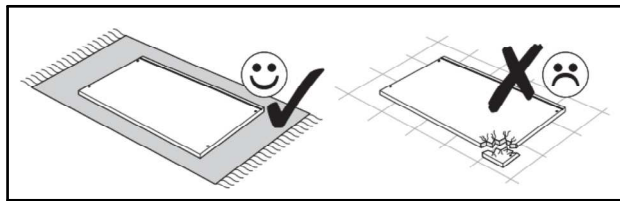


4 ▶  
2x

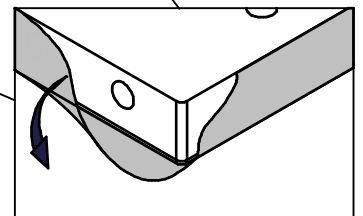
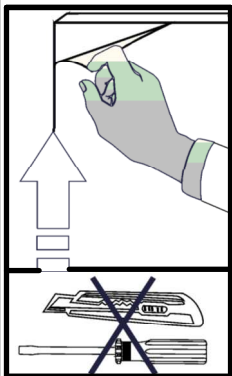
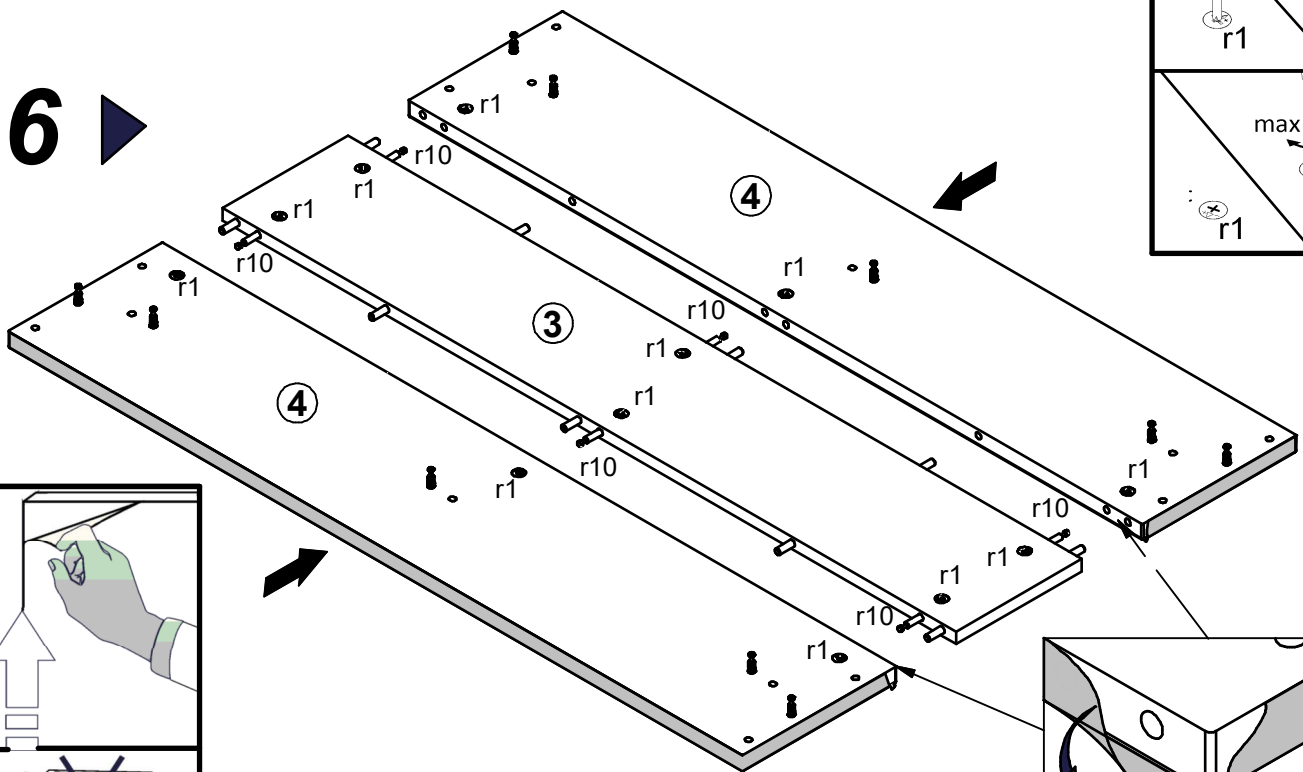


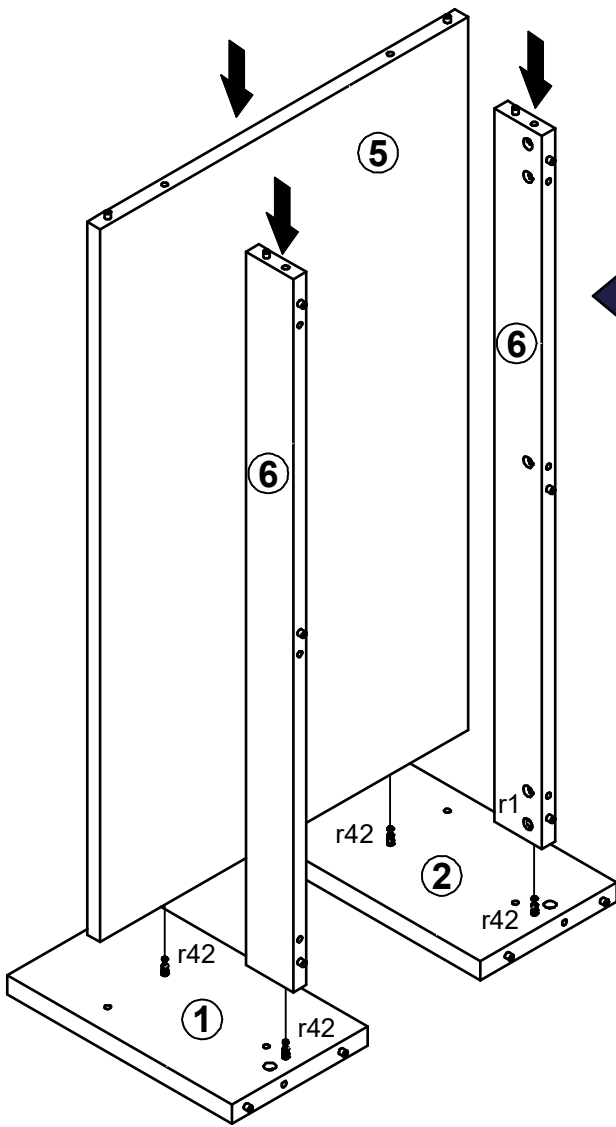


5

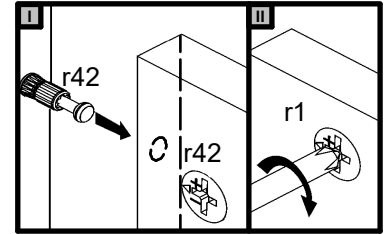
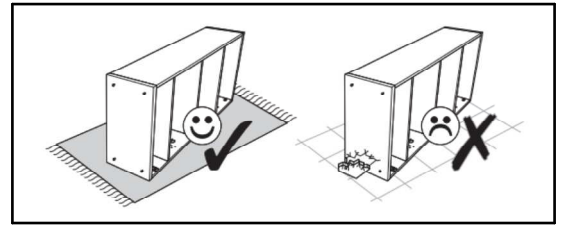


6

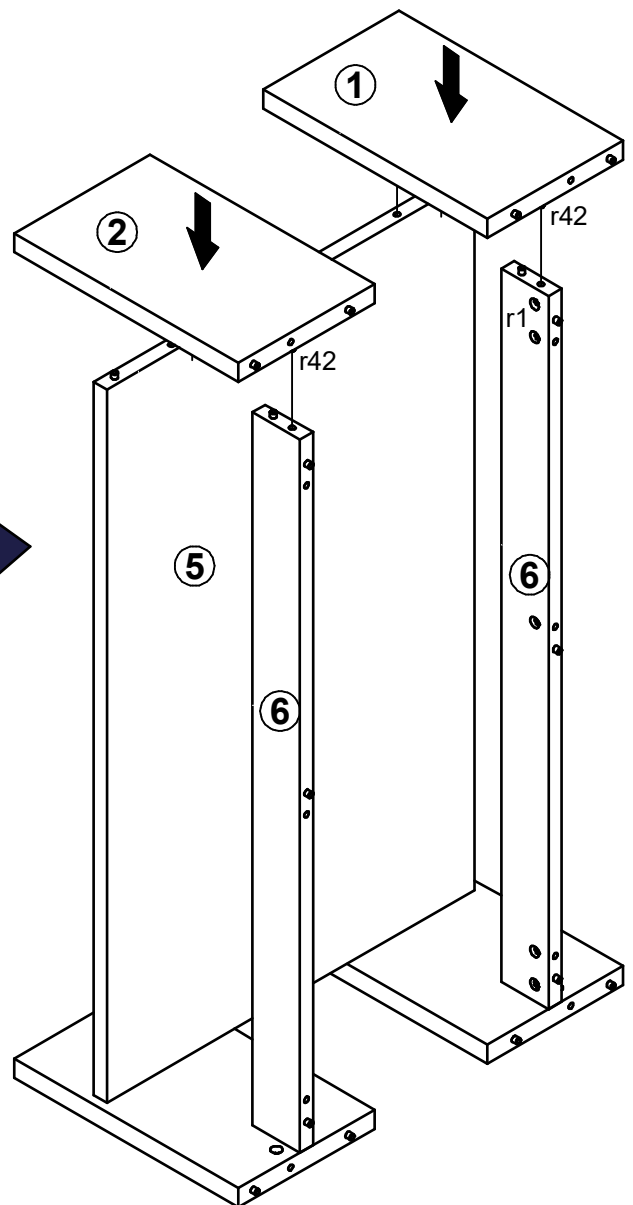


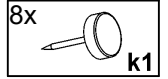
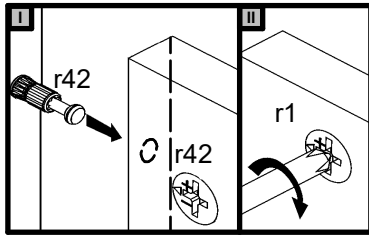


7

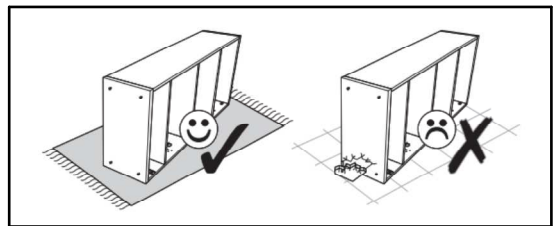
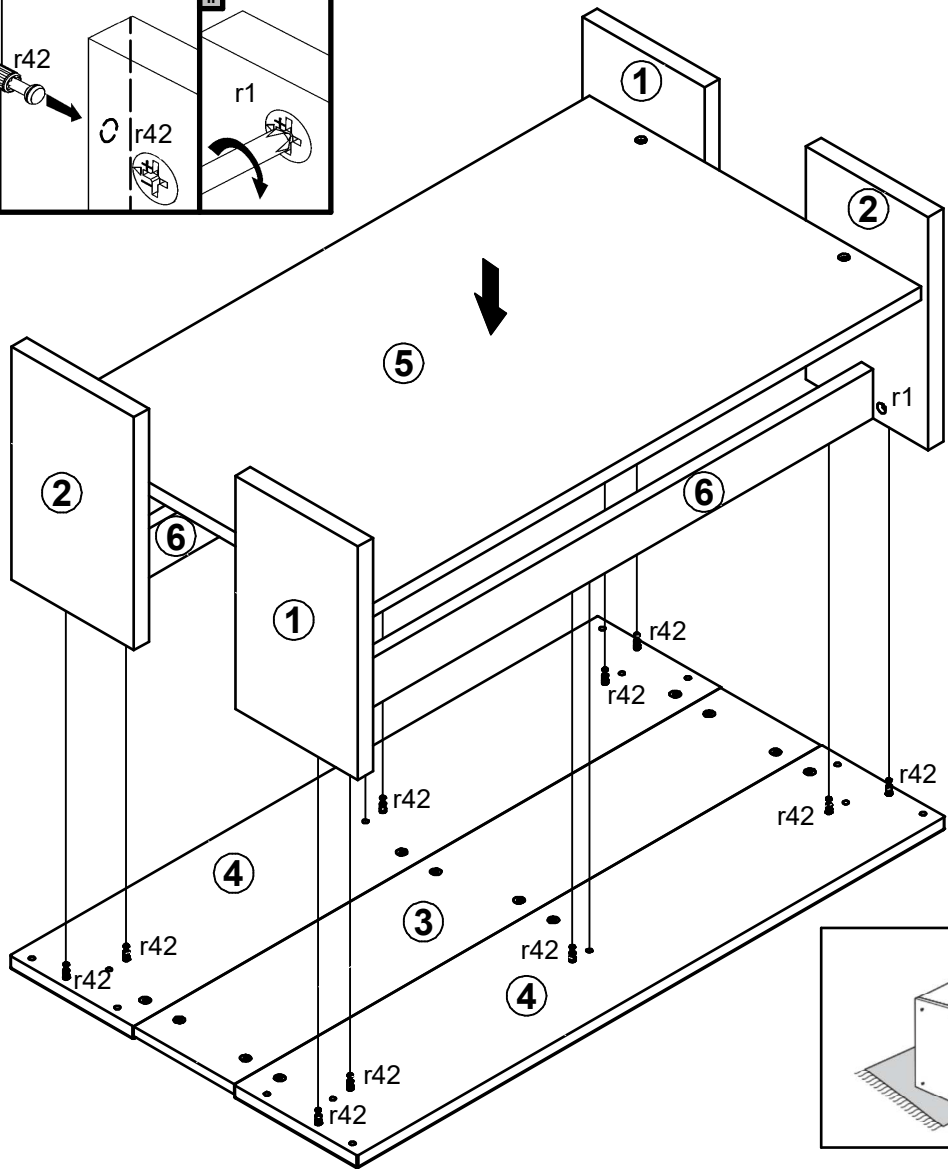


8





9



10

