

# Corten Steel Divider 40



The Corten Steel Planter modular system by Herstera is made from Corten-type steel a structural steel known for its high mechanical strength and exceptional weather resistance. Unlike conventional steel, Corten is a special alloy that naturally forms a protective oxide patina on its surface. This patina acts as a barrier against corrosion, eliminating the need for additional coatings. Over time, the oxidation process stabilizes, and the protective layer prevents further corrosion, safeguarding the material from degradation and significantly extending its lifespan.

Corten steel is fully recyclable and contains no paint, making it an eco-friendly choice. Its noble character conveys a natural warmth that evolves over time. Without enamels or finishes, it naturally adapts to its environment and withstands even the harshest outdoor conditions. An ideal choice for adding character and texture to landscape design, urban spaces, and contemporary architecture.

### Conexión en serie

By connecting the planters using Herstera's series connector, the structure becomes reinforced and free of internal walls, promoting natural root growth.

### Base con Función de Volumen Ajustable

The Divider planters feature a base system that allows the adjustment of soil height and volume at three levels: 30%, 70%, or 100%. Equipped with drainage holes to prevent waterlogging. The included adjustable feet make it easy to level the planter on uneven surfaces, ensuring stability and optimal drainage.

### Ruedas y Patas

Compatible with Herstera's stainless steel leg and wheel accessories, designed to facilitate mobility and elevation of the planter.

### Opciones de Iluminación

Compatible with Herstera's light support and magnetic LED strip systems, enabling the planter front to be illuminated with warm, indirect light, creating an elegant and immersive visual effect.

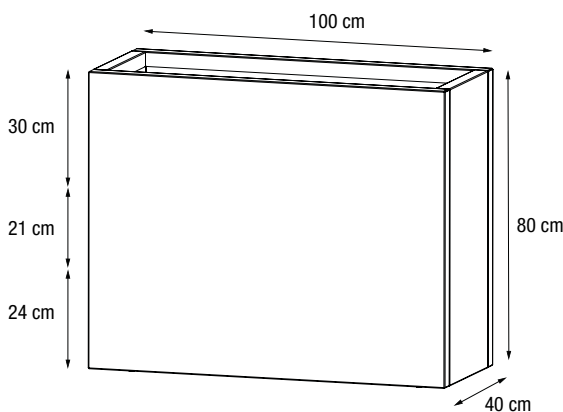
### Protección Interior

We recommend the use of a geotextile felt layer, such as Herstera's felt bags, to ensure efficient drainage and filter outgoing water.

Corten steel products are delivered unoxidized, with a dark gray tone that gradually evolves into a protective rust patina. The beauty of Corten steel lies in its unique and natural aging process each piece is one-of-a-kind, with distinct variations in tone and texture resulting from natural oxidation.

For an immediate weathered appearance, a recommended rust accelerator can be applied, achieving the desired finish within two weeks.

## Available Models



## Delivered product finish



Unoxidized corten type steel

## Finishes and Materials

<b>Material</b>	Corten Type Steel
<b>Thickness</b>	1.5 mm
<b>Hardware</b>	Stainless Steel
<b>Finish</b>	Unoxidized corten type steel

## General Specifications

REF.	Article Dimension	Box Dimensions	Volume	Weight
31841001	100x40x80 cm	102x88x11 cm	98L/140L/300L	41 Kg