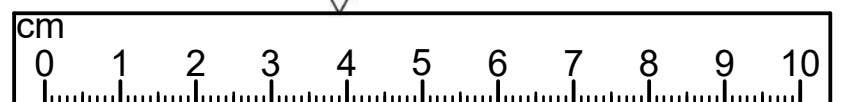
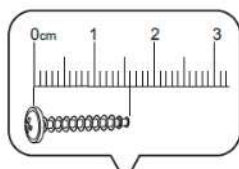
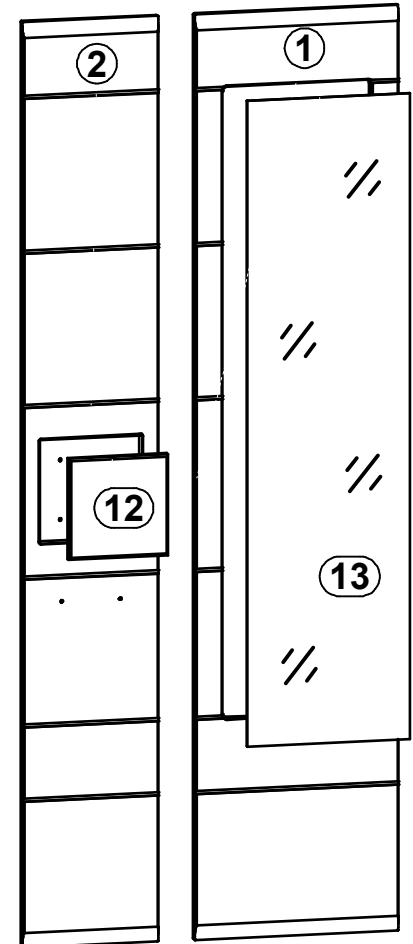
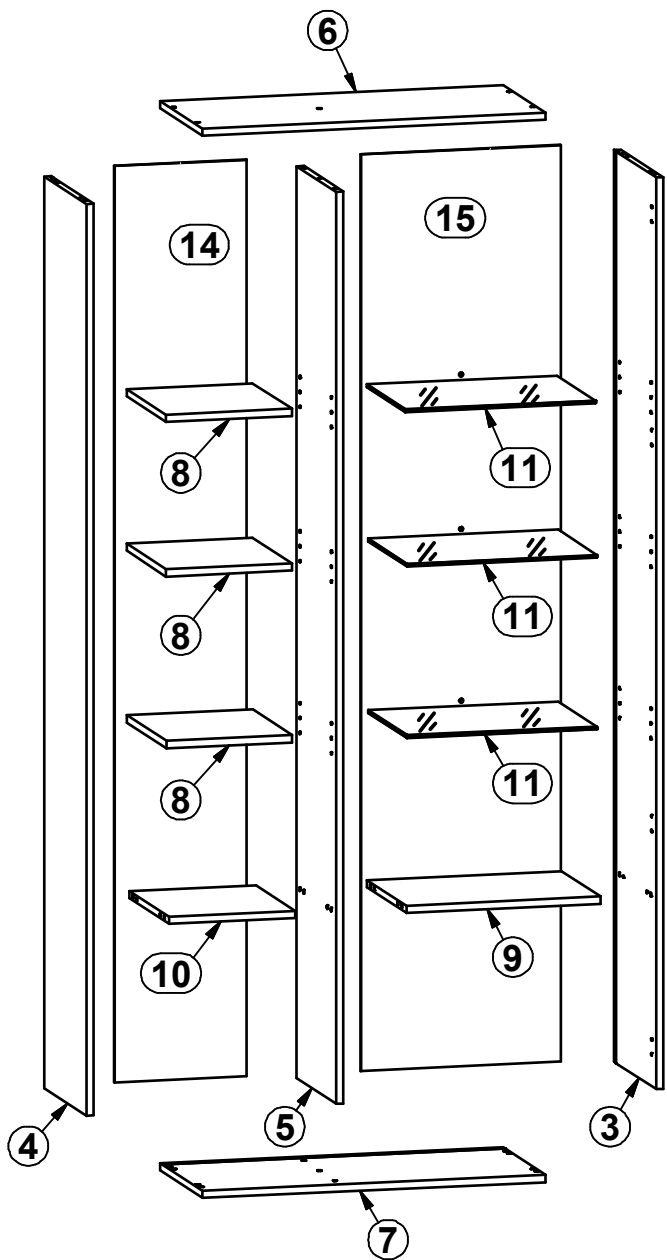
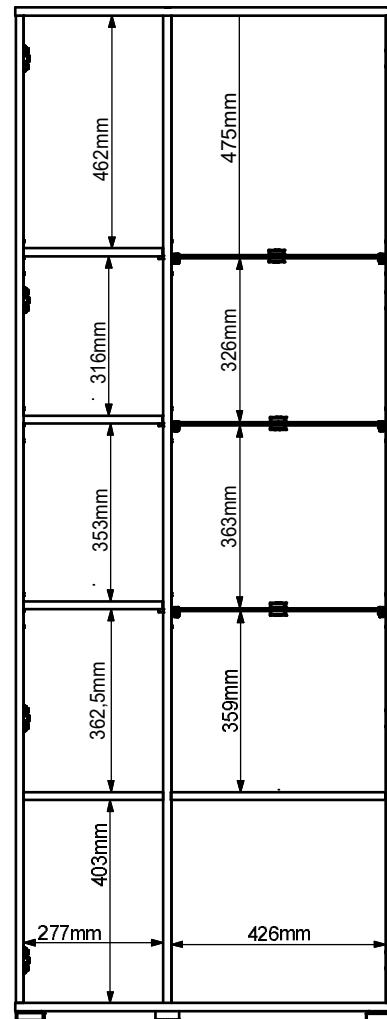
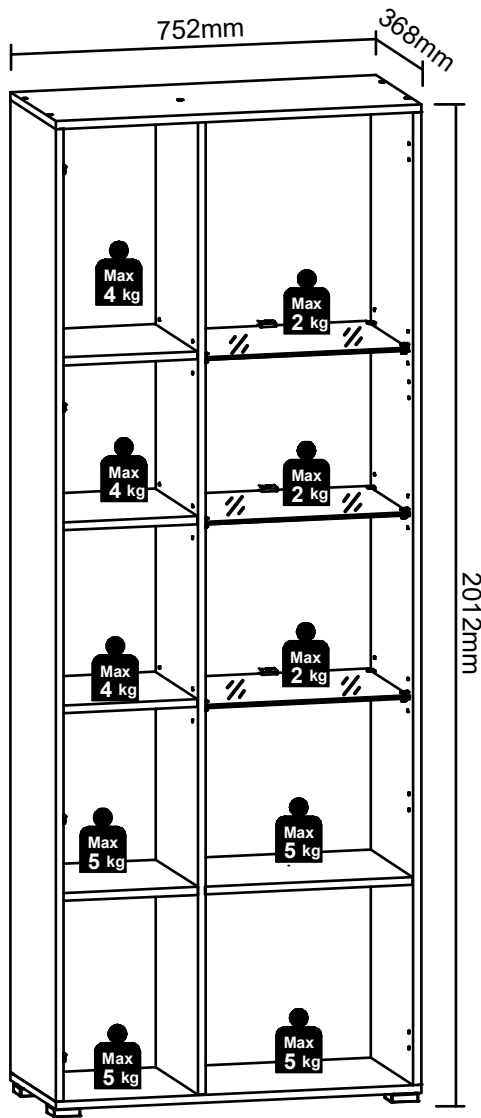


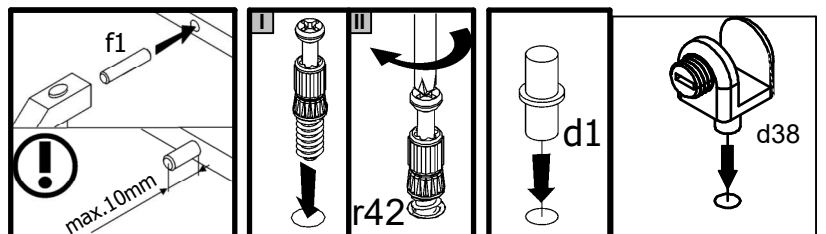
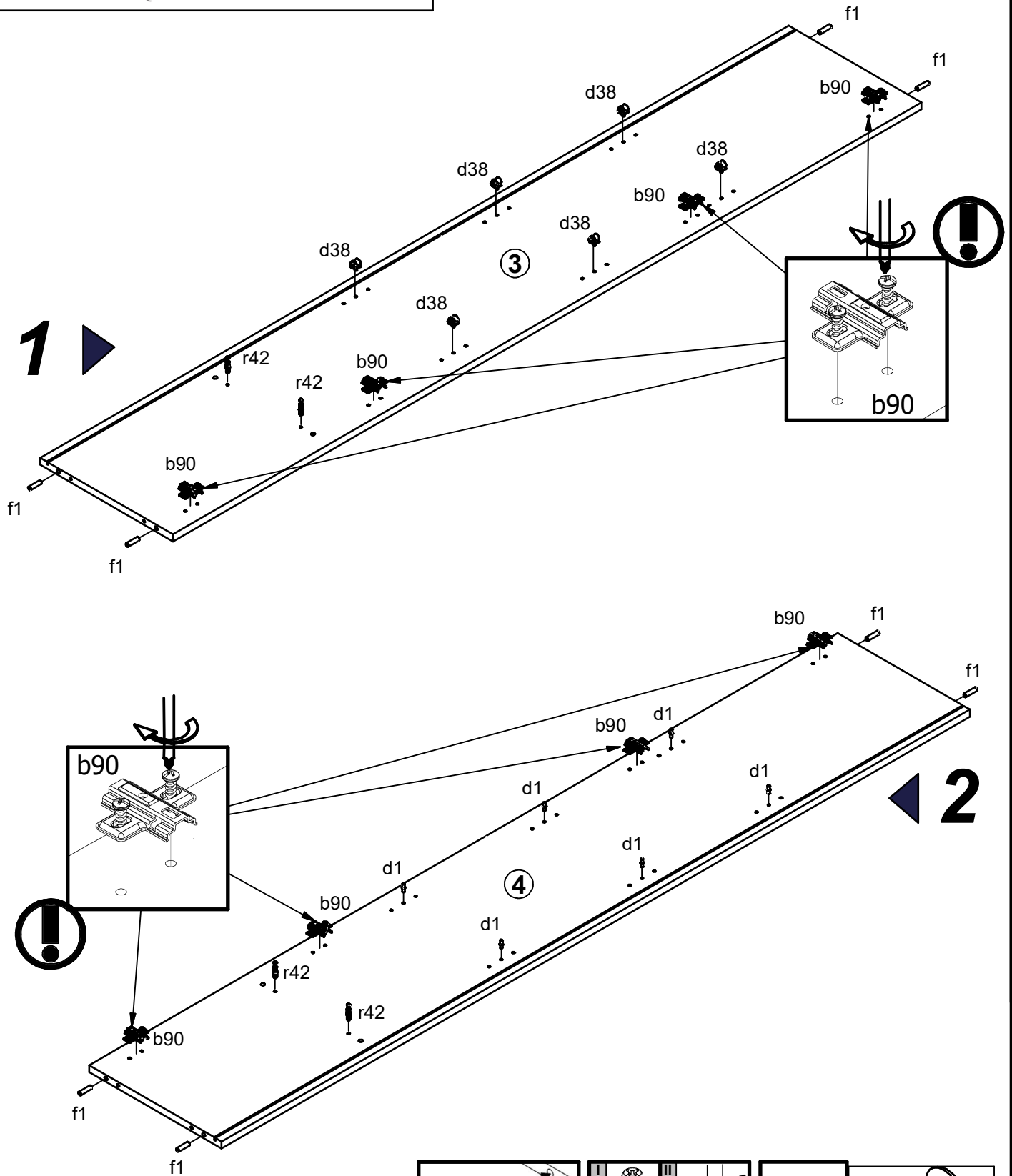
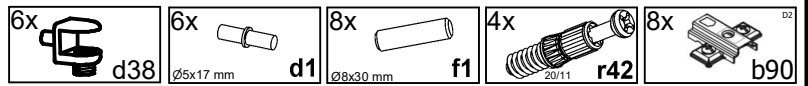
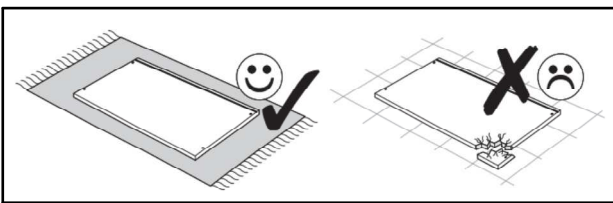
A	B1	B2	C1	C2	C3	D
1	S577-0016	-5	1990	446	19	3/3
2	S577-0017	-3	1990	298	19	3/3
3	S577-1014	-3	1960	347	16	2/3
4	S577-1015	-4	1960	347	16	2/3
5	S577-1016	-3	1960	322	16	2/3
6	S577-2008	-3	752	347	16	1/3
7	S577-2009	-5	752	347	16	1/3
8	S577-3008	-2	276	323	16	1/3
9	S577-3011	-2	426	322	16	1/3
10	S577-3012	-2	277	322	16	1/3
11	S577-3013	-6	418	318	6	1/3
12	S577-5011	-2	218	218	15	1/3
13	S577-5504	-4	1388	356	4	3/3
14	S577-9013	-3	1970	290	2,5	3/3
15	S577-9014	-4	1970	438	2,5	3/3

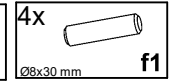
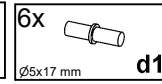
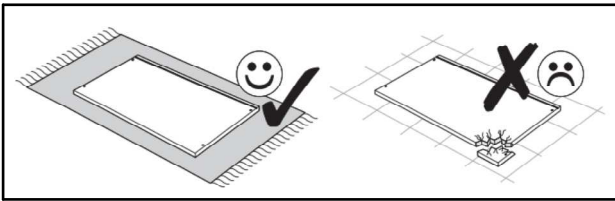




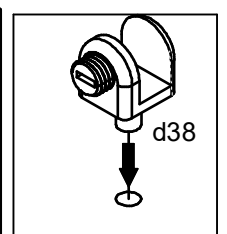
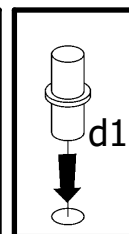
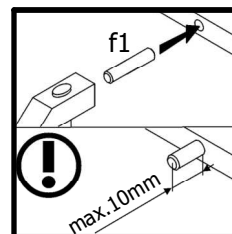
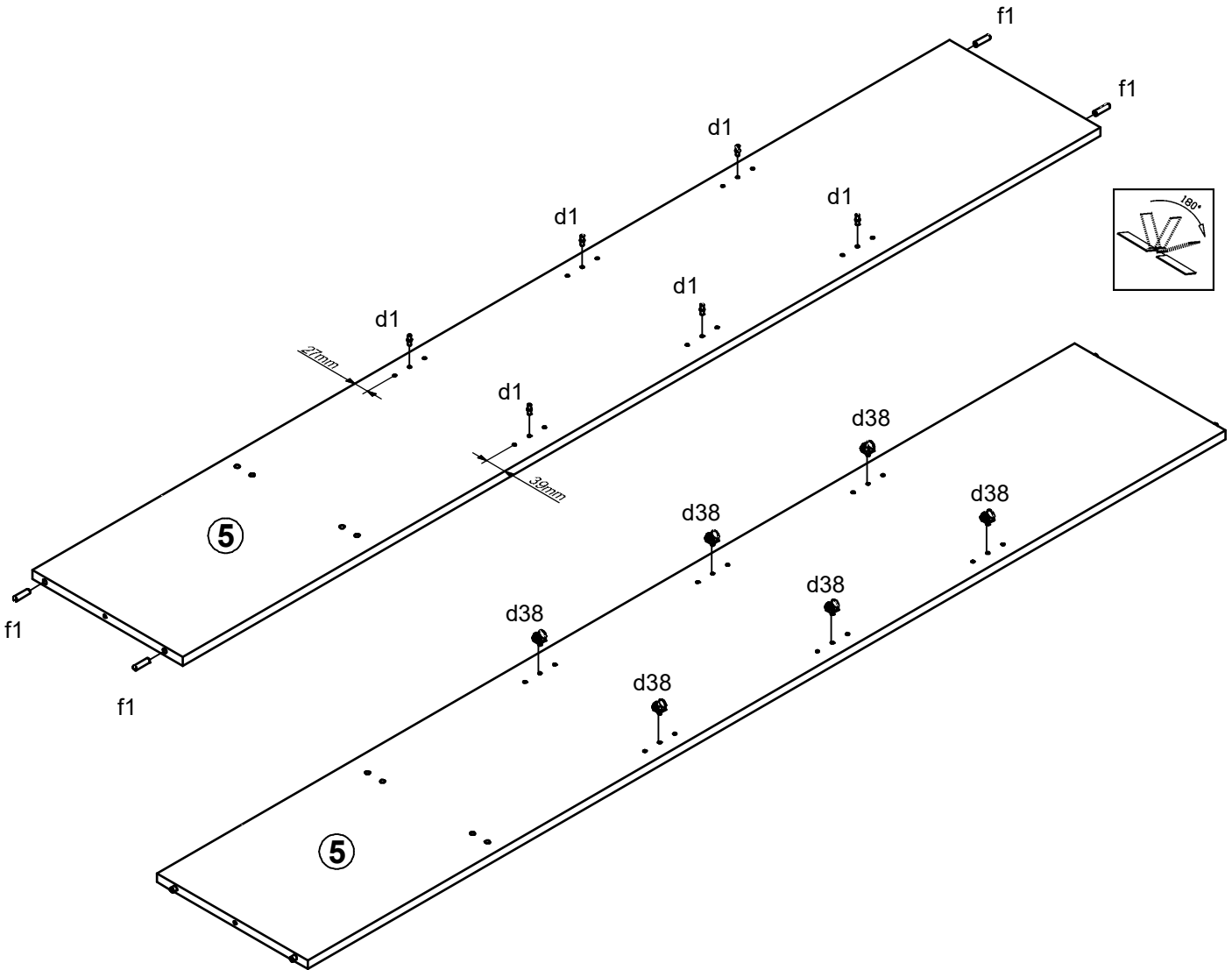
A**S577-REG1W1D****1BE6--01**

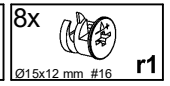
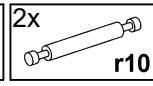
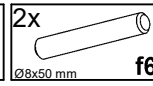
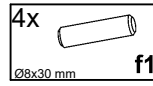
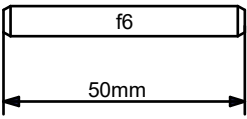
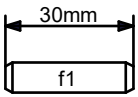
4 / 17



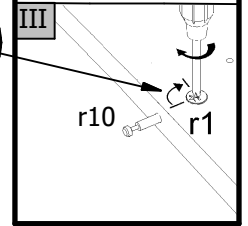
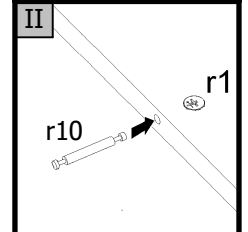
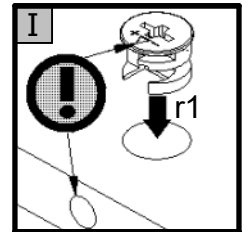
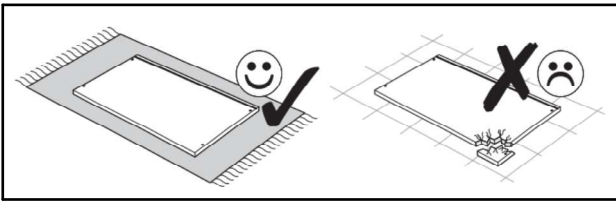
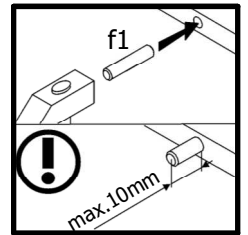
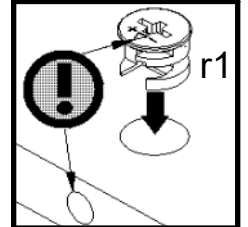
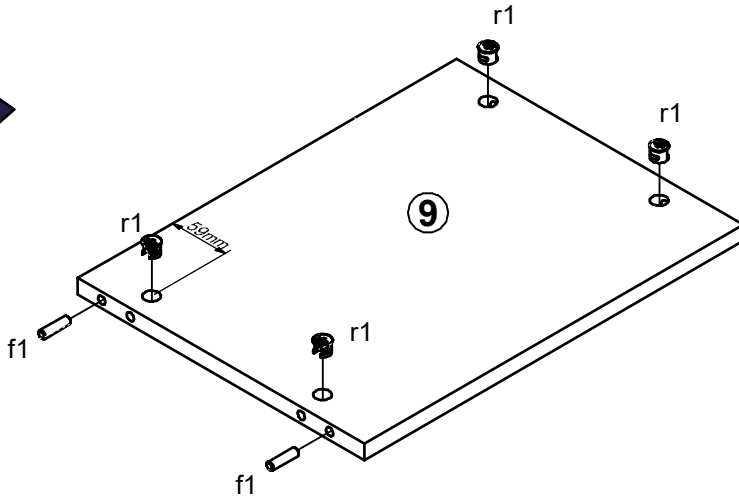


3

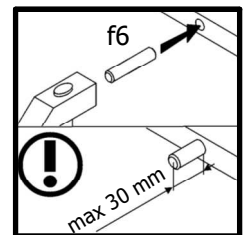
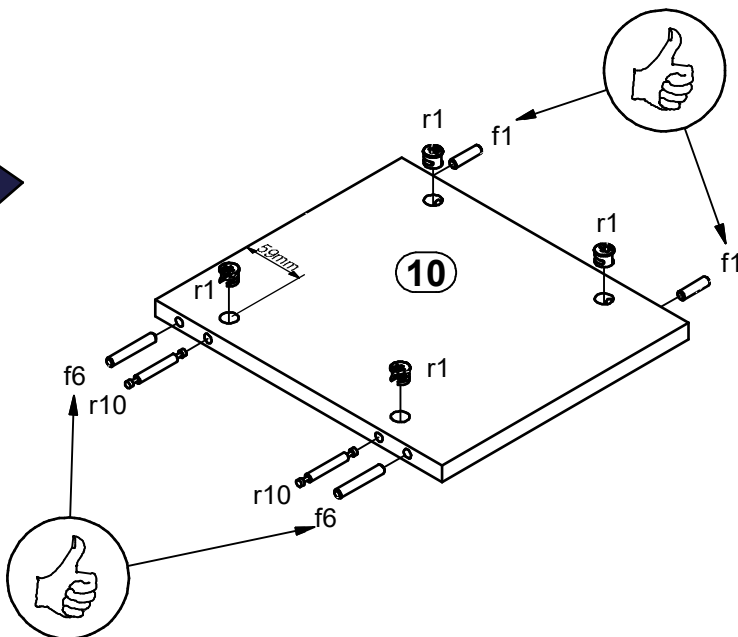


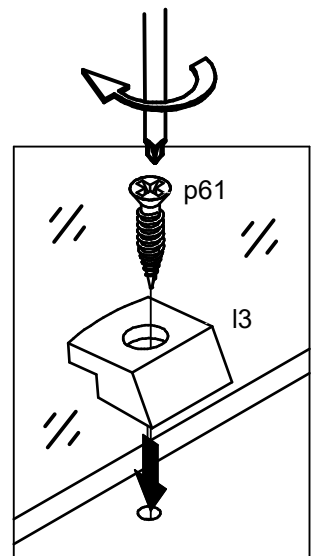
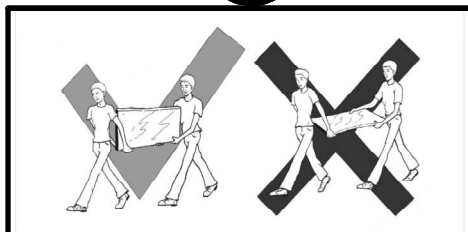
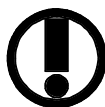
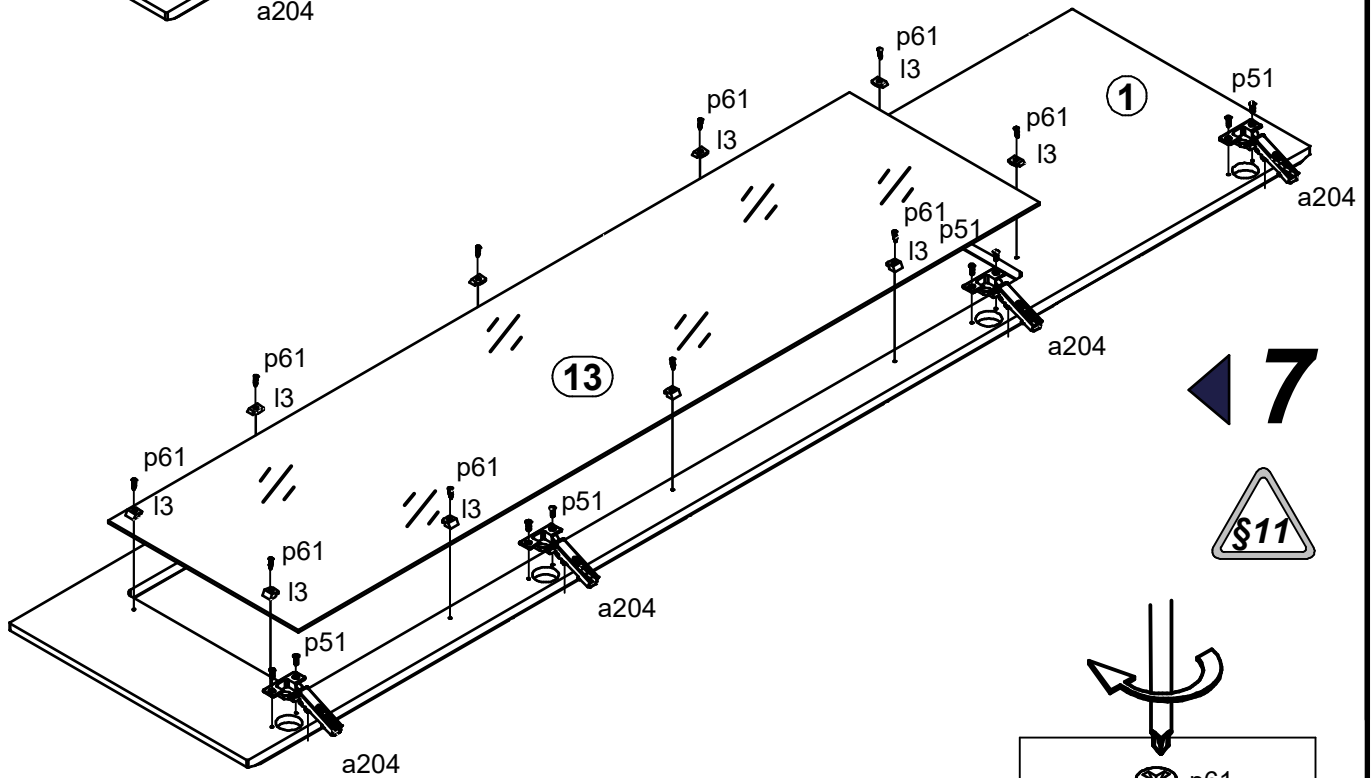
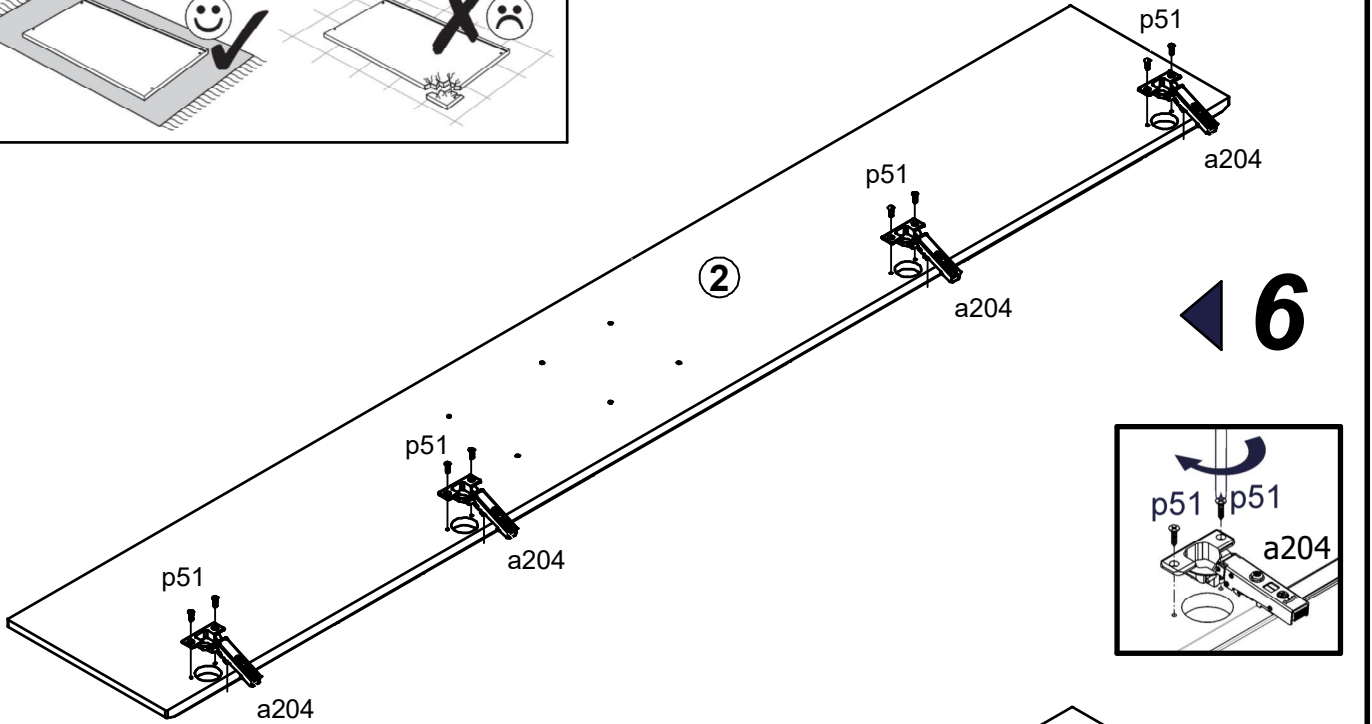
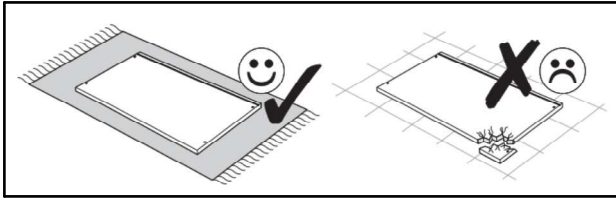
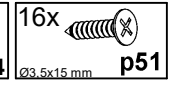
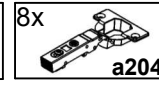
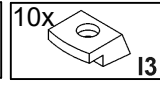
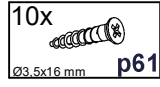


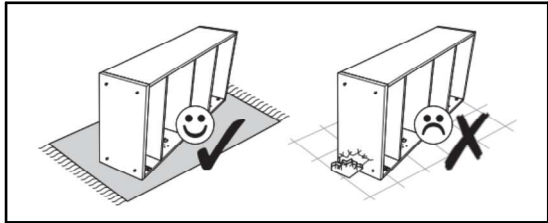
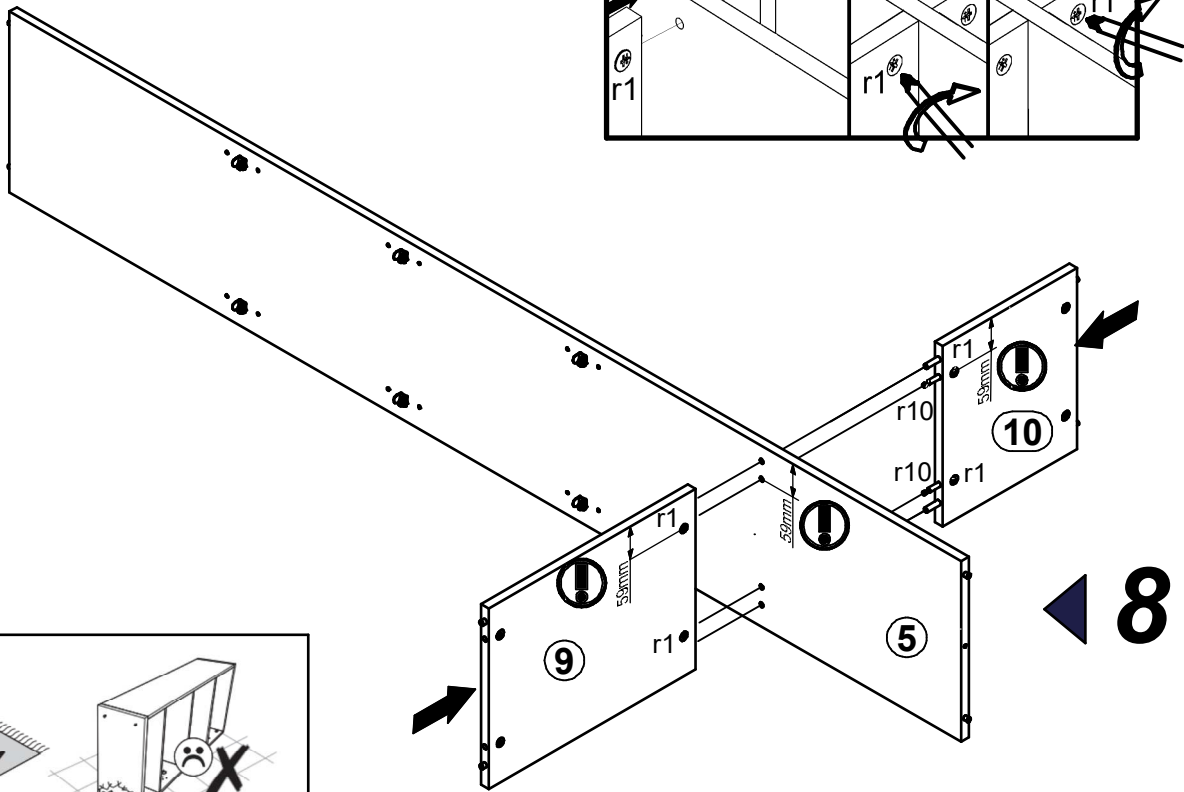
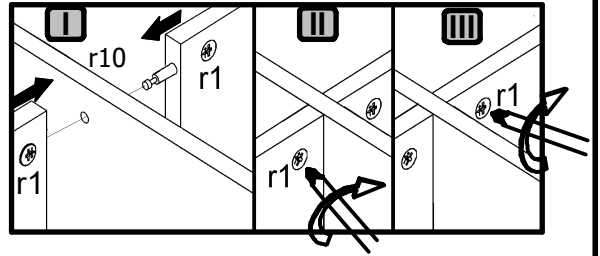
4 ▶



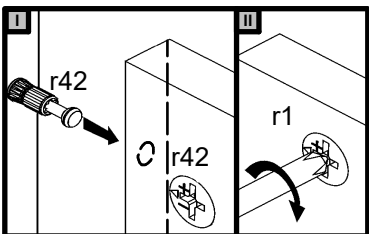
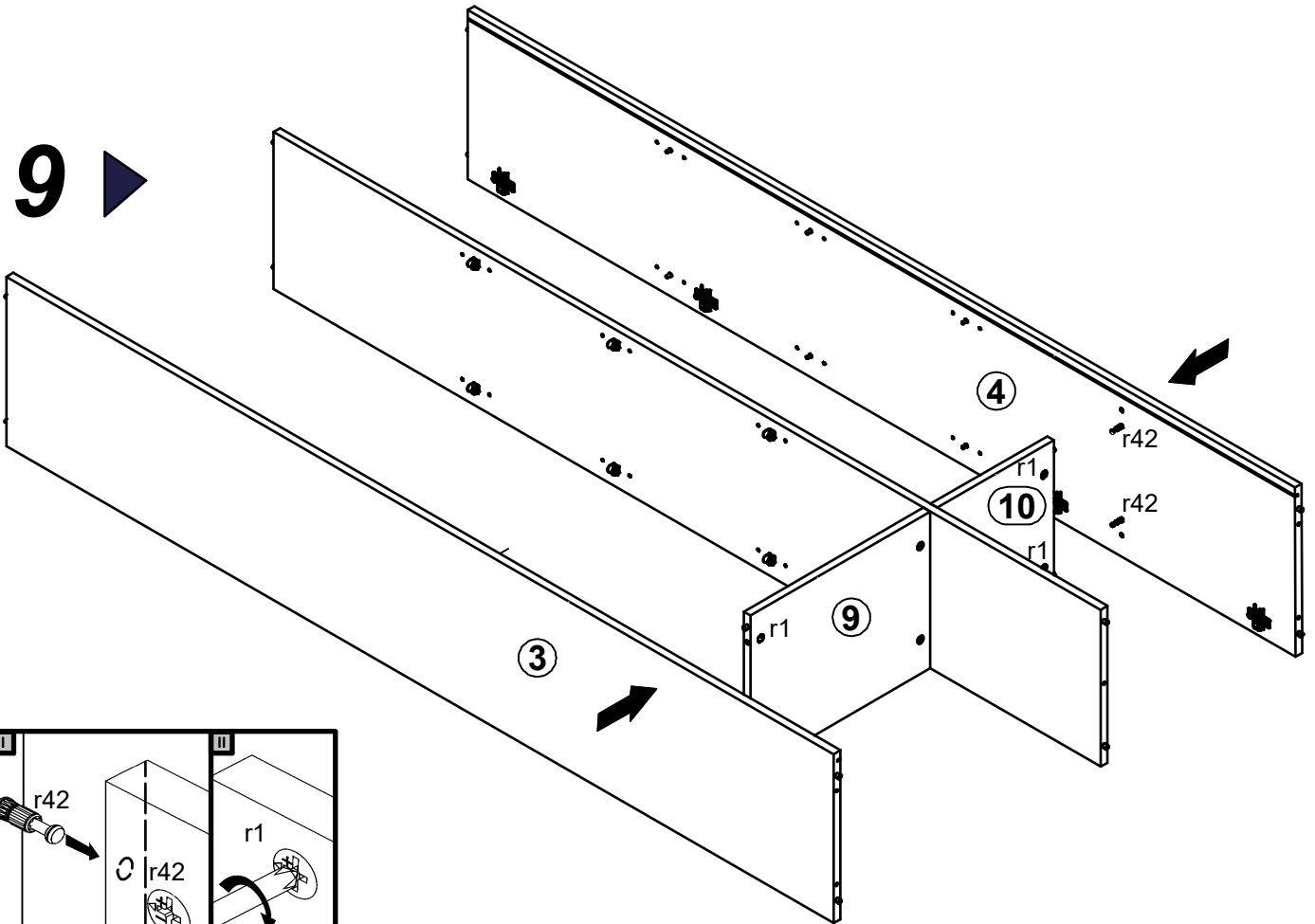
5 ▶

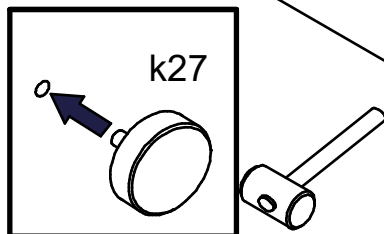
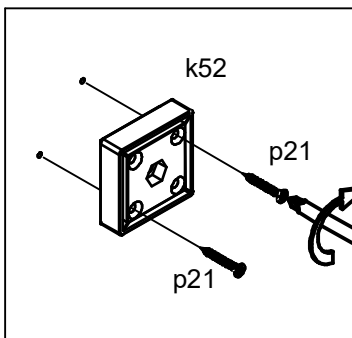
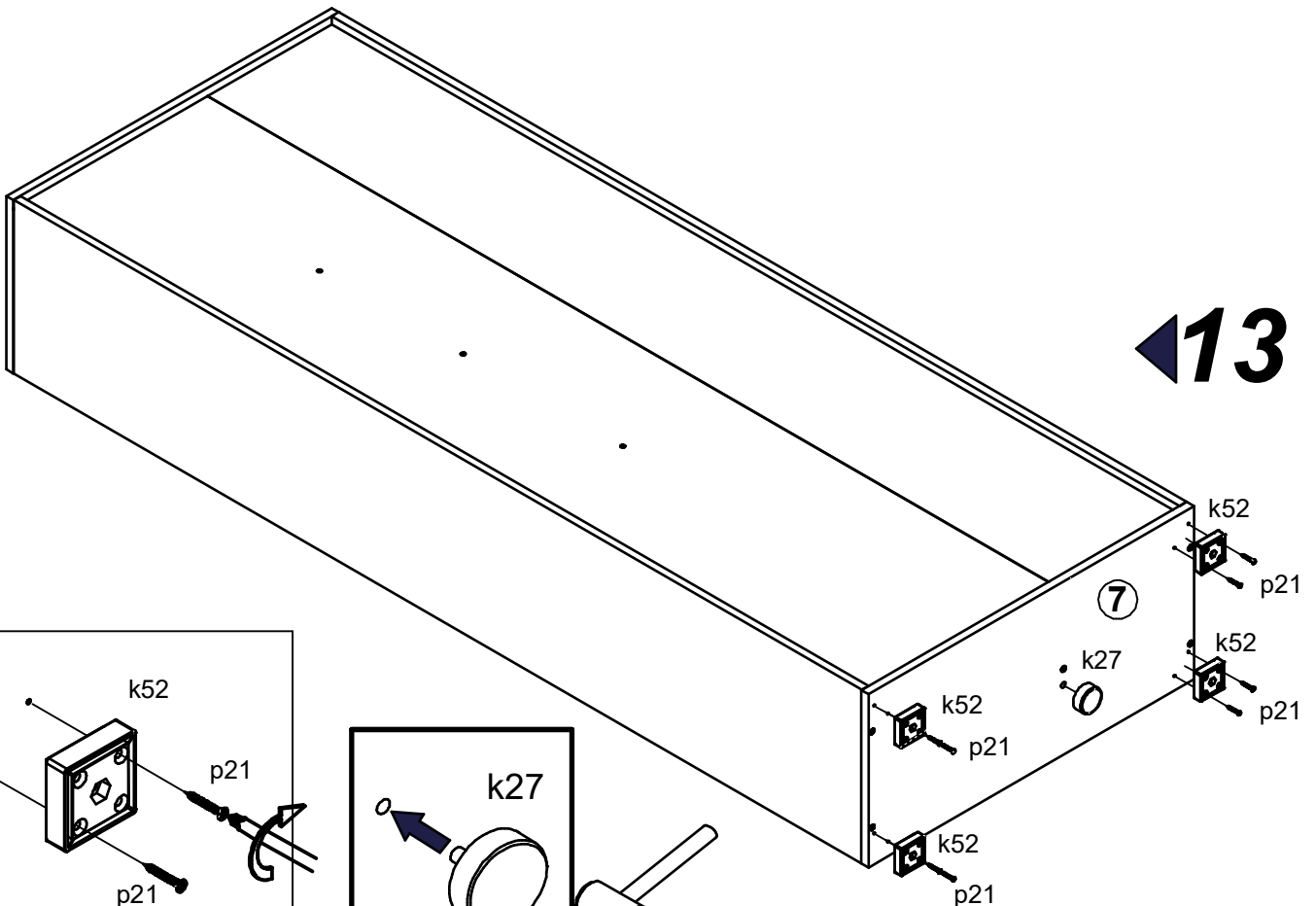
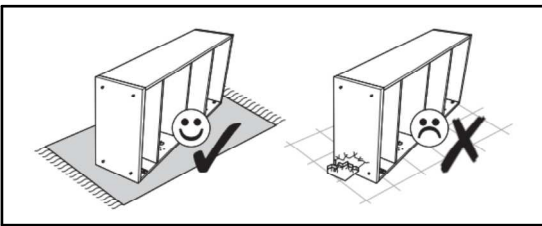
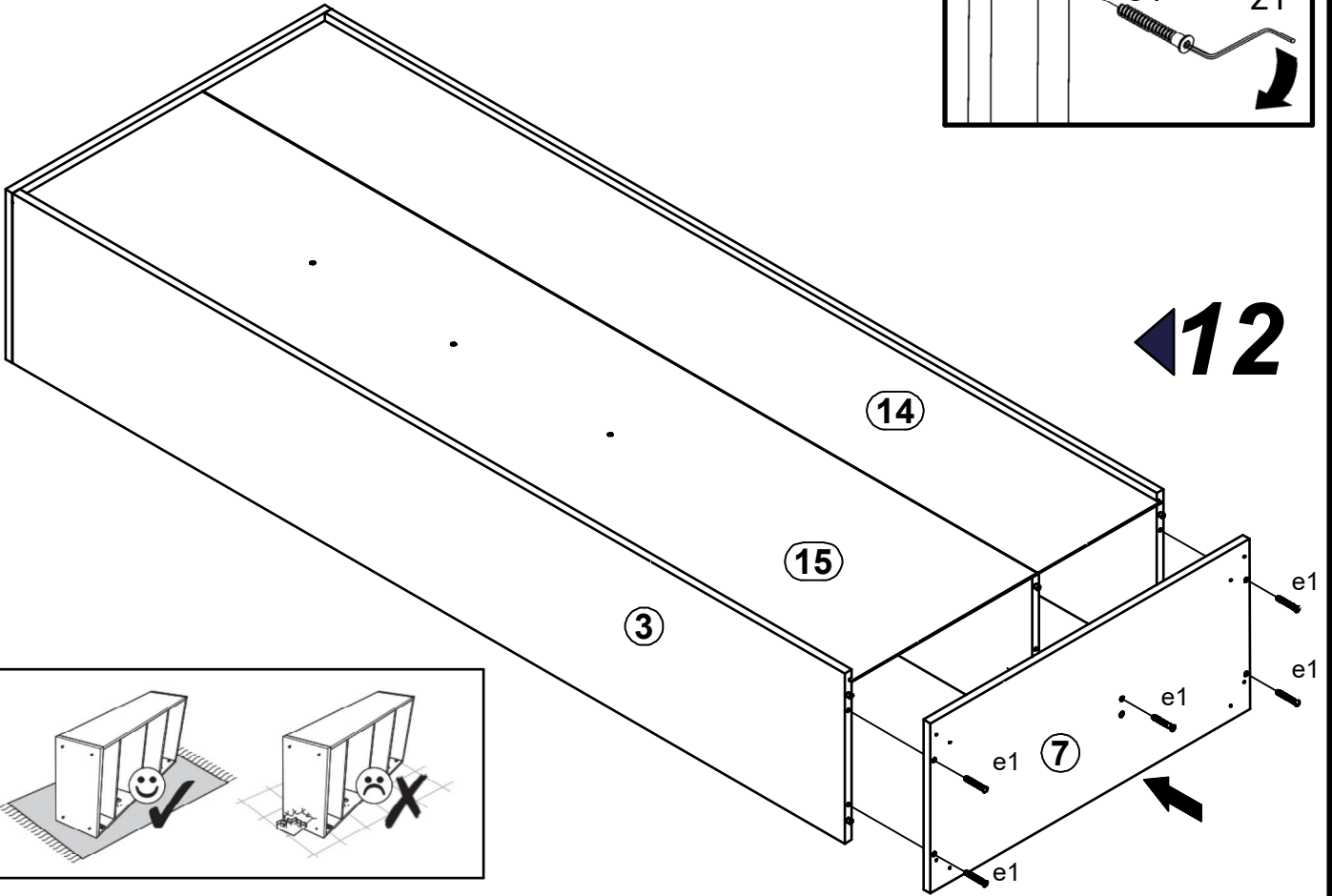
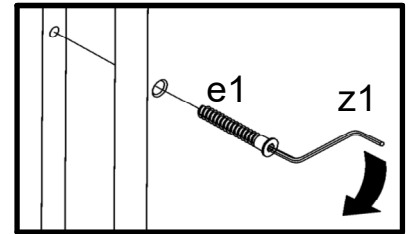
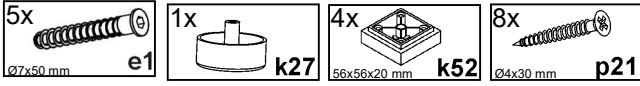


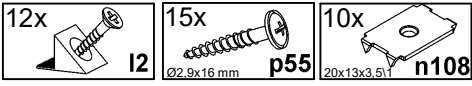




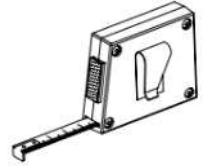
9



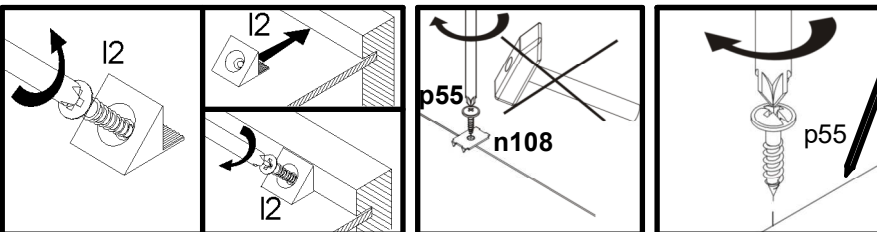
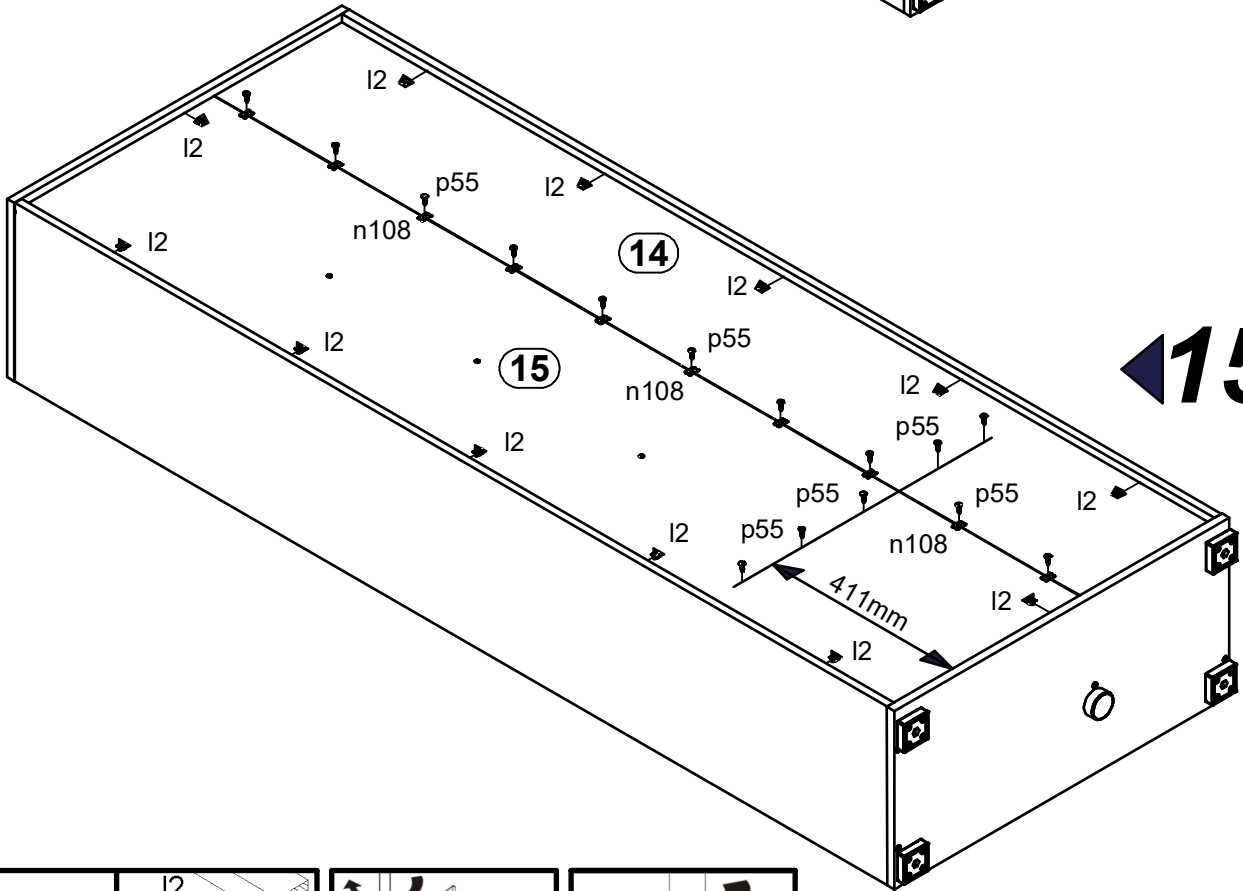
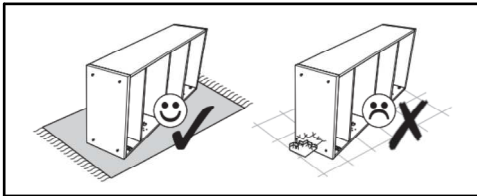
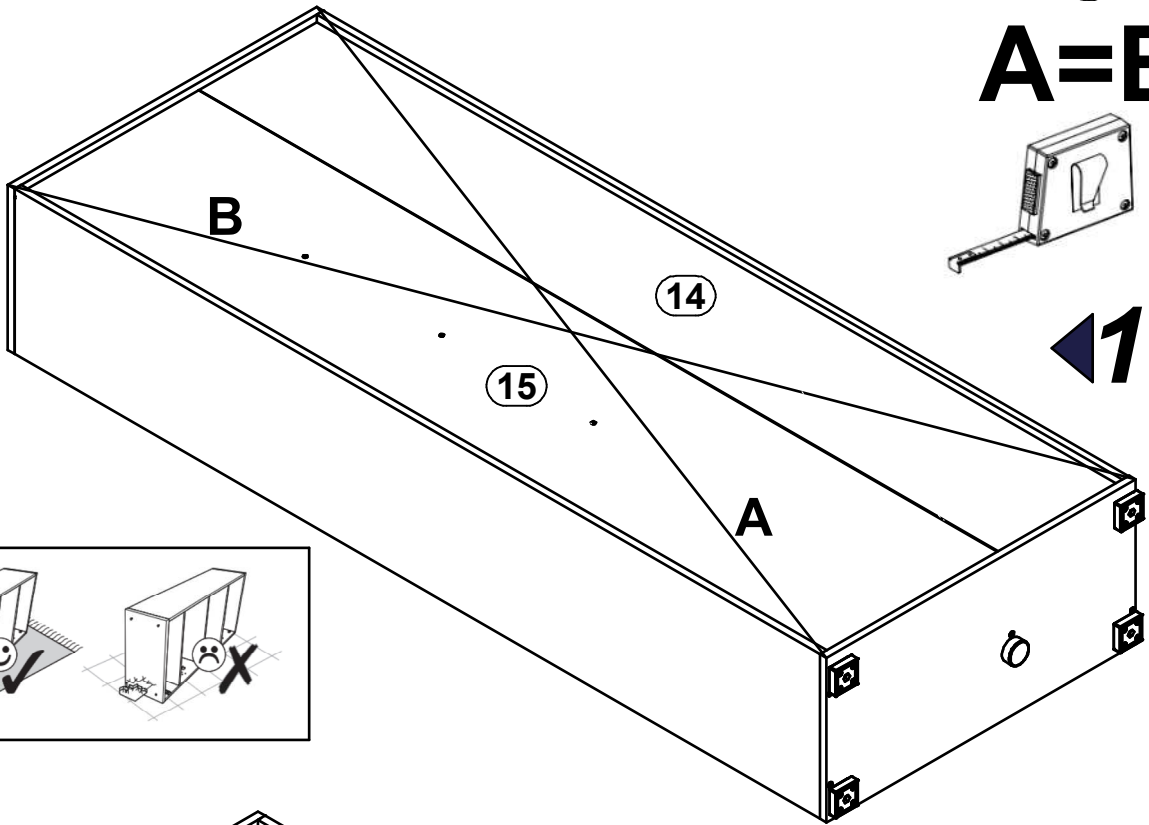




A=B



14

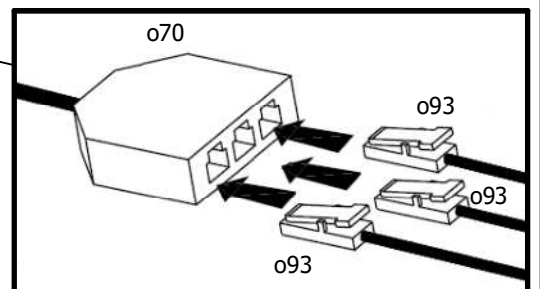
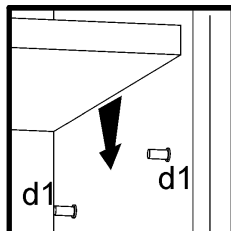
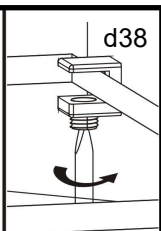
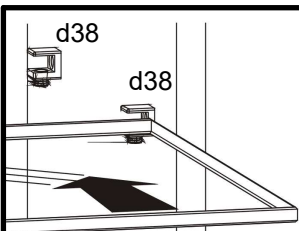
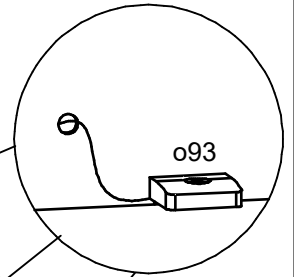
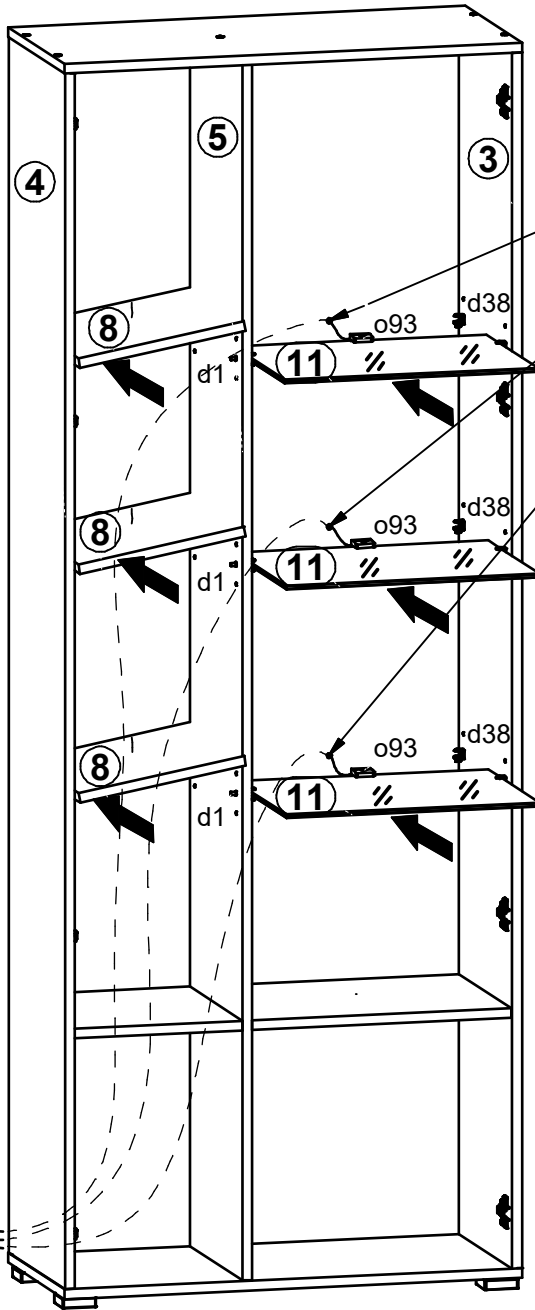
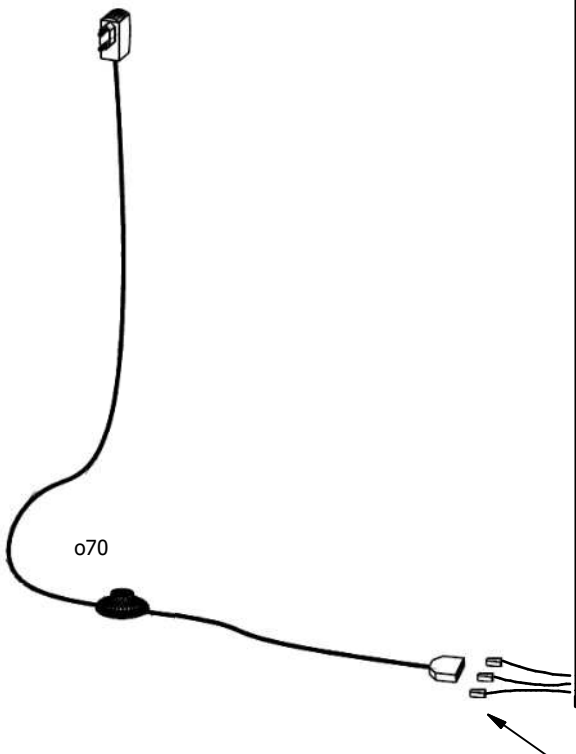
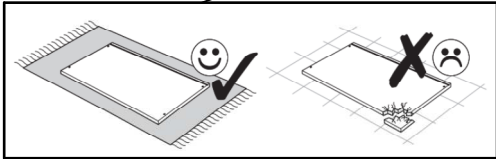
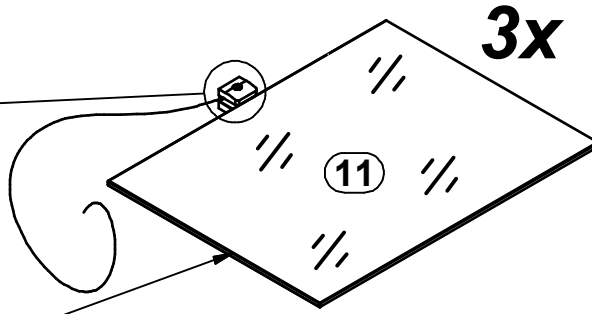
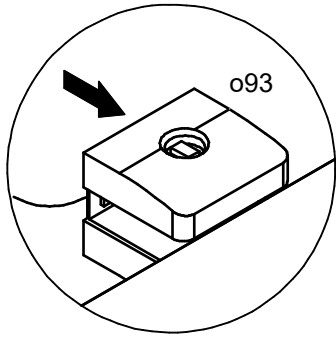
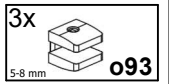


A

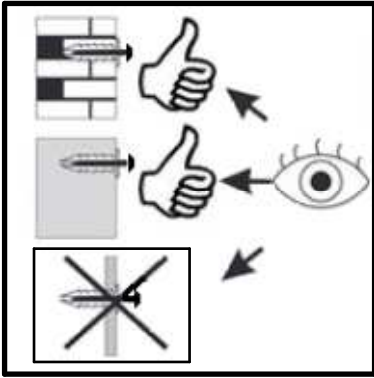
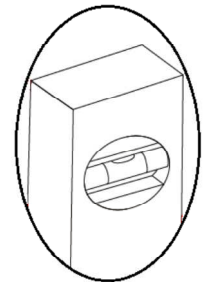
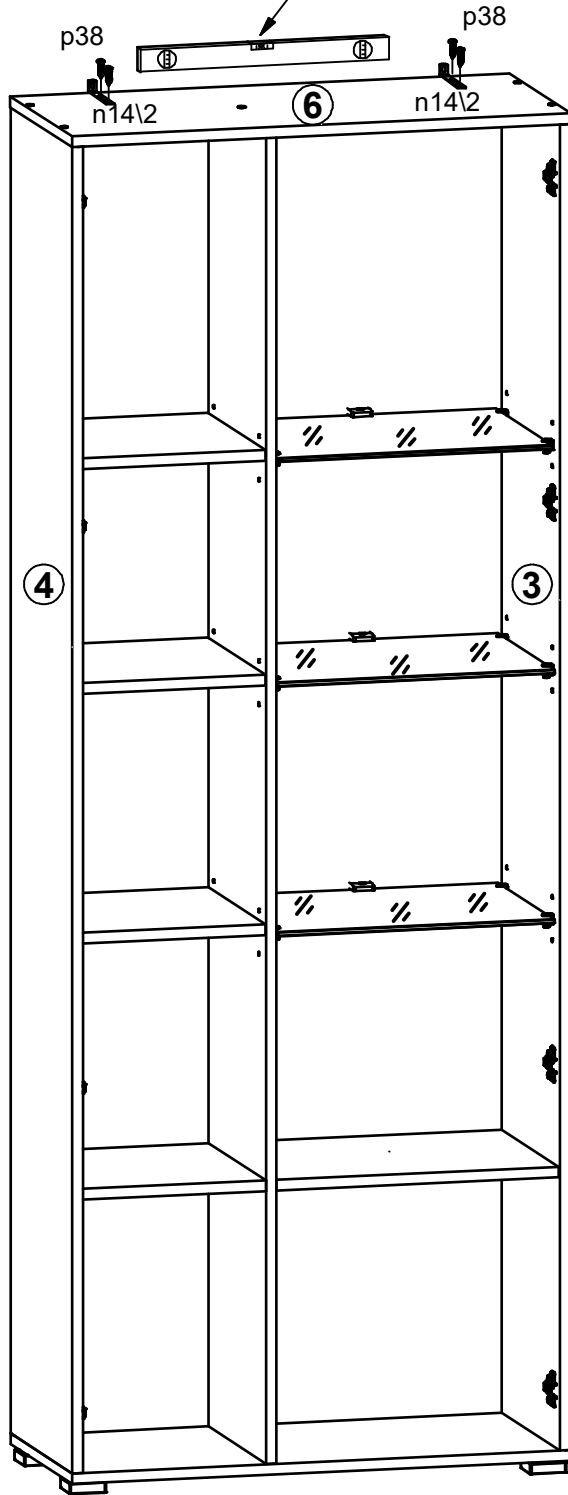
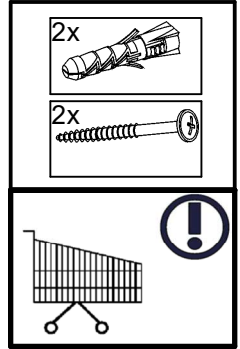
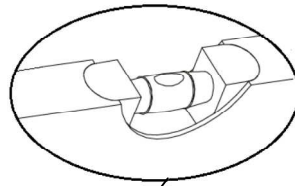
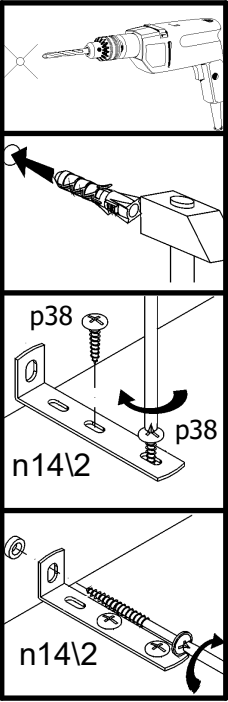
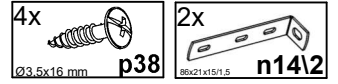
S577-REG1W1D

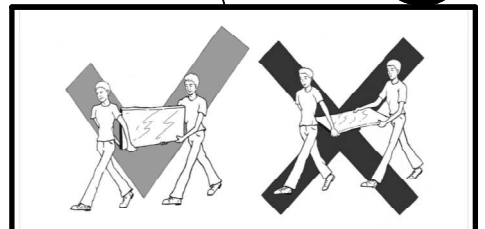
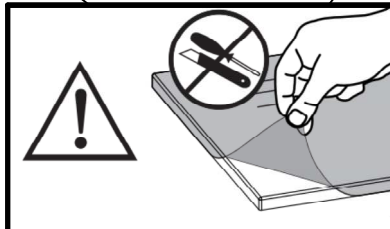
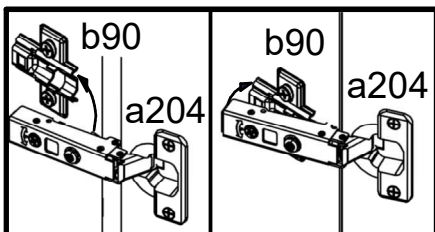
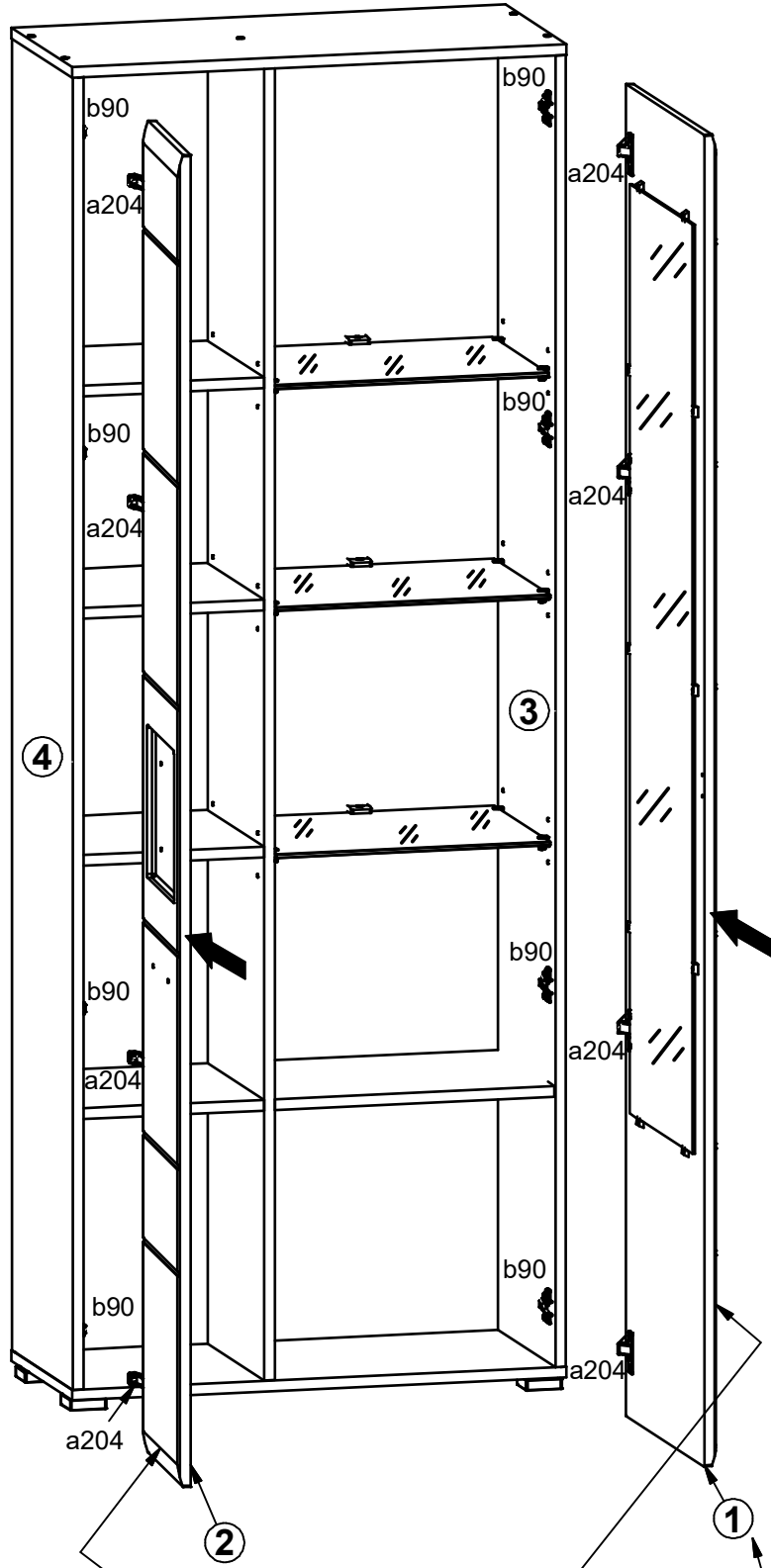
1BE6--01


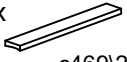



12 / 17

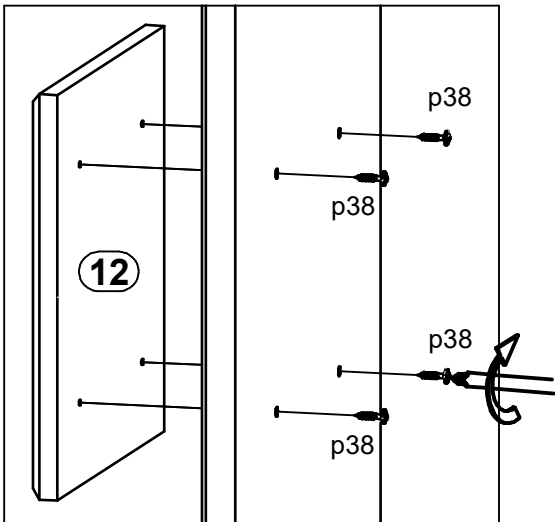
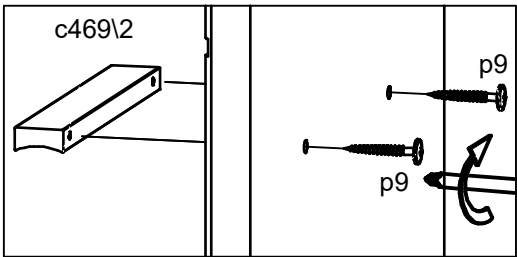
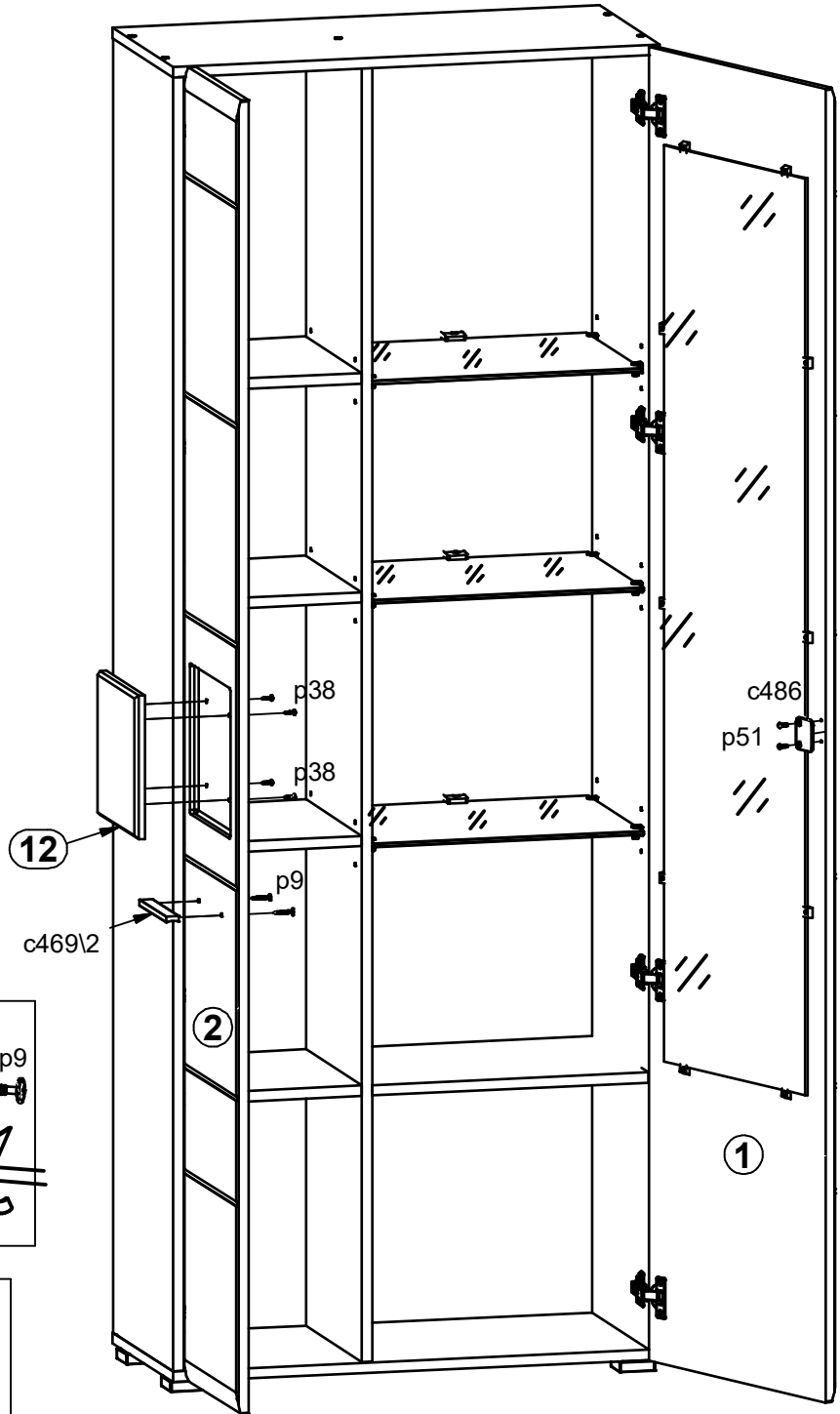
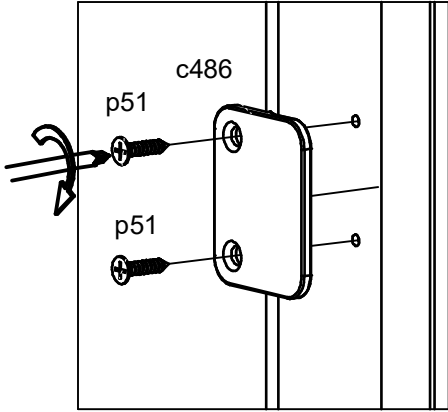


17



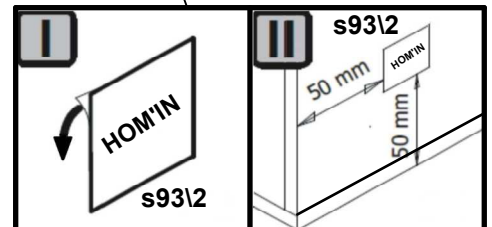
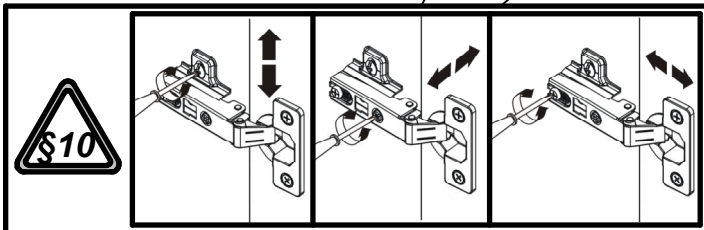
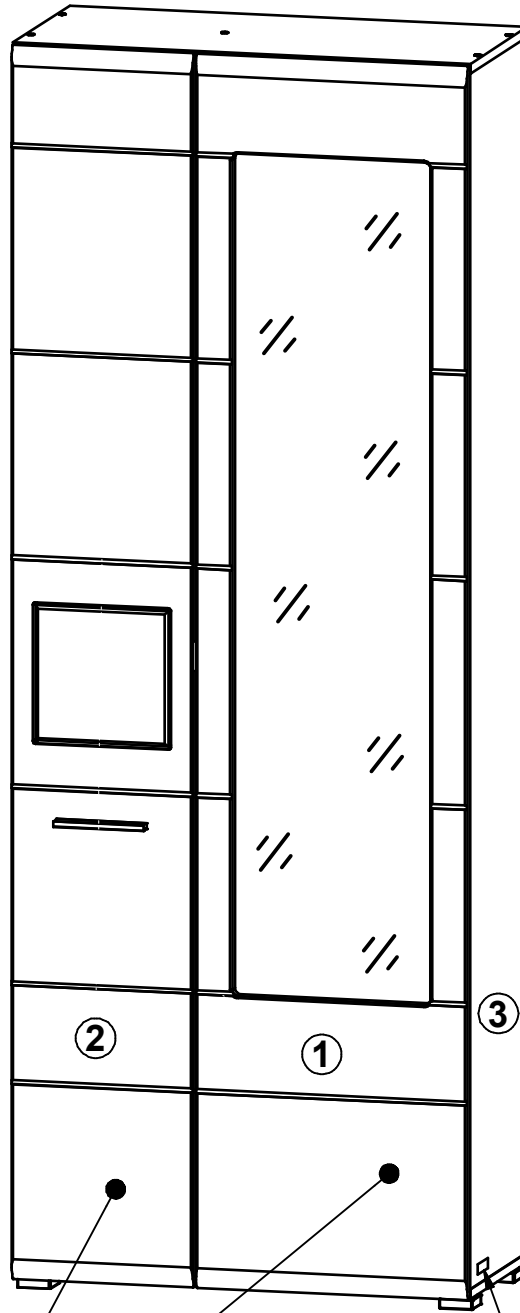


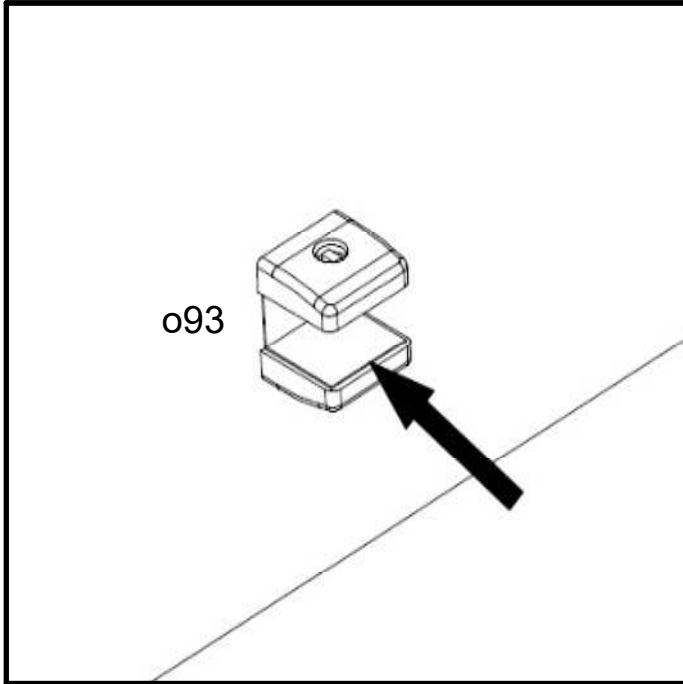
- 1x  **c486**
32 mm
- 1x  **c469\2**
L-148mm
- 4x  **p38**
Ø3,5x16 mm
- 2x  **p9**
Ø4x30 mm
- 2x  **p51**
Ø3,5x15 mm



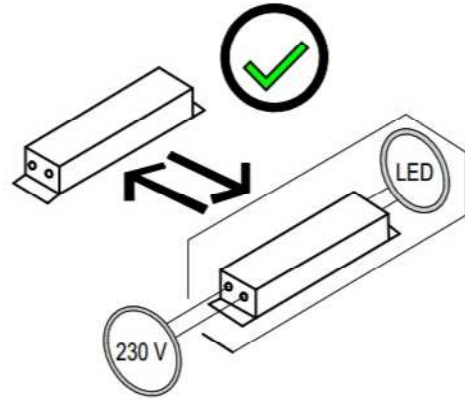
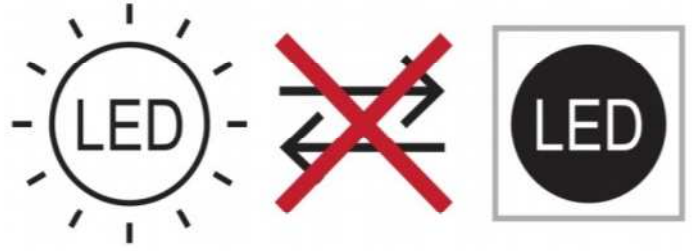
1x HOM'IN
s93\2

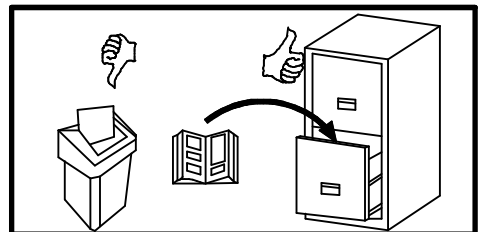
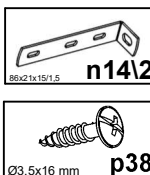
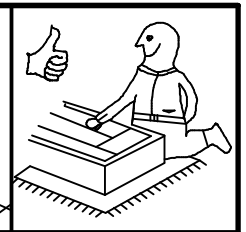
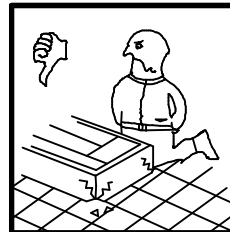
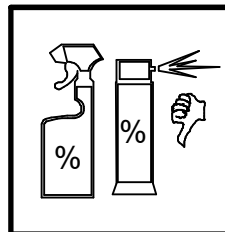
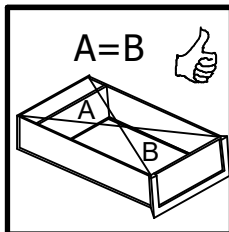
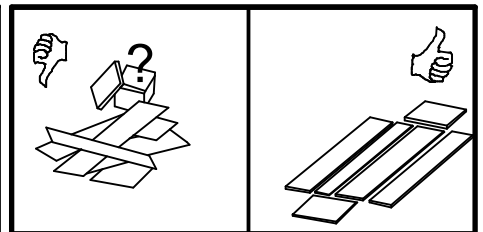
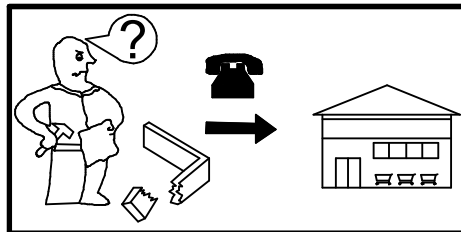
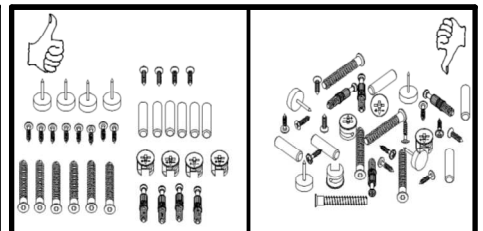
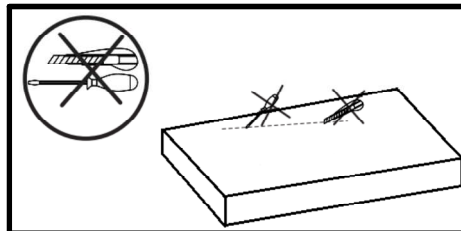
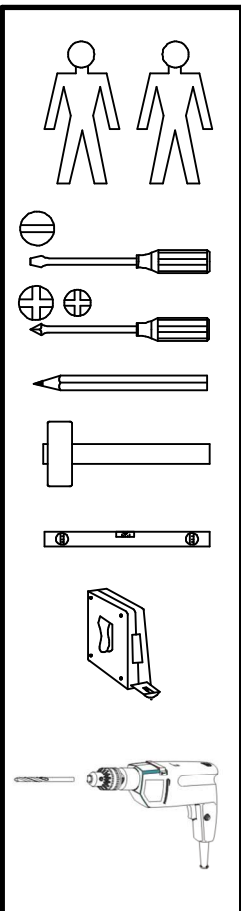
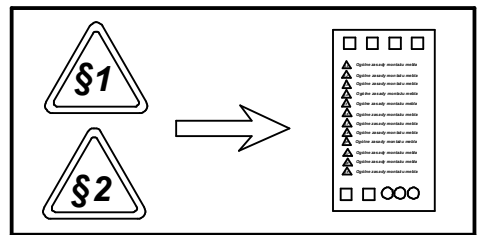
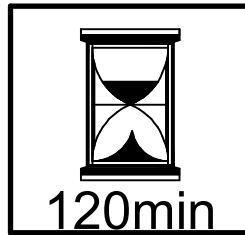
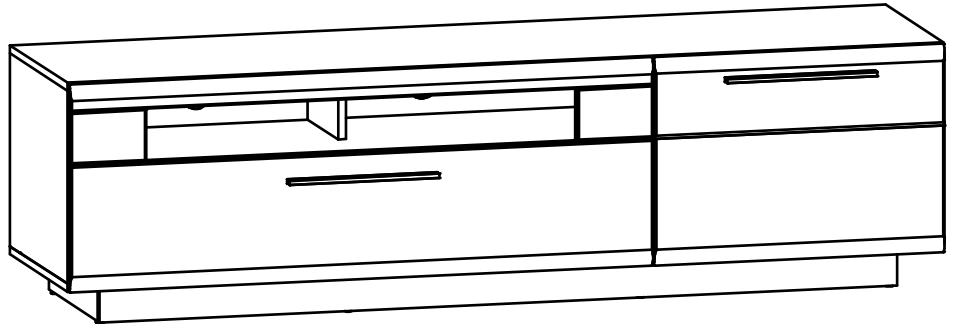
20

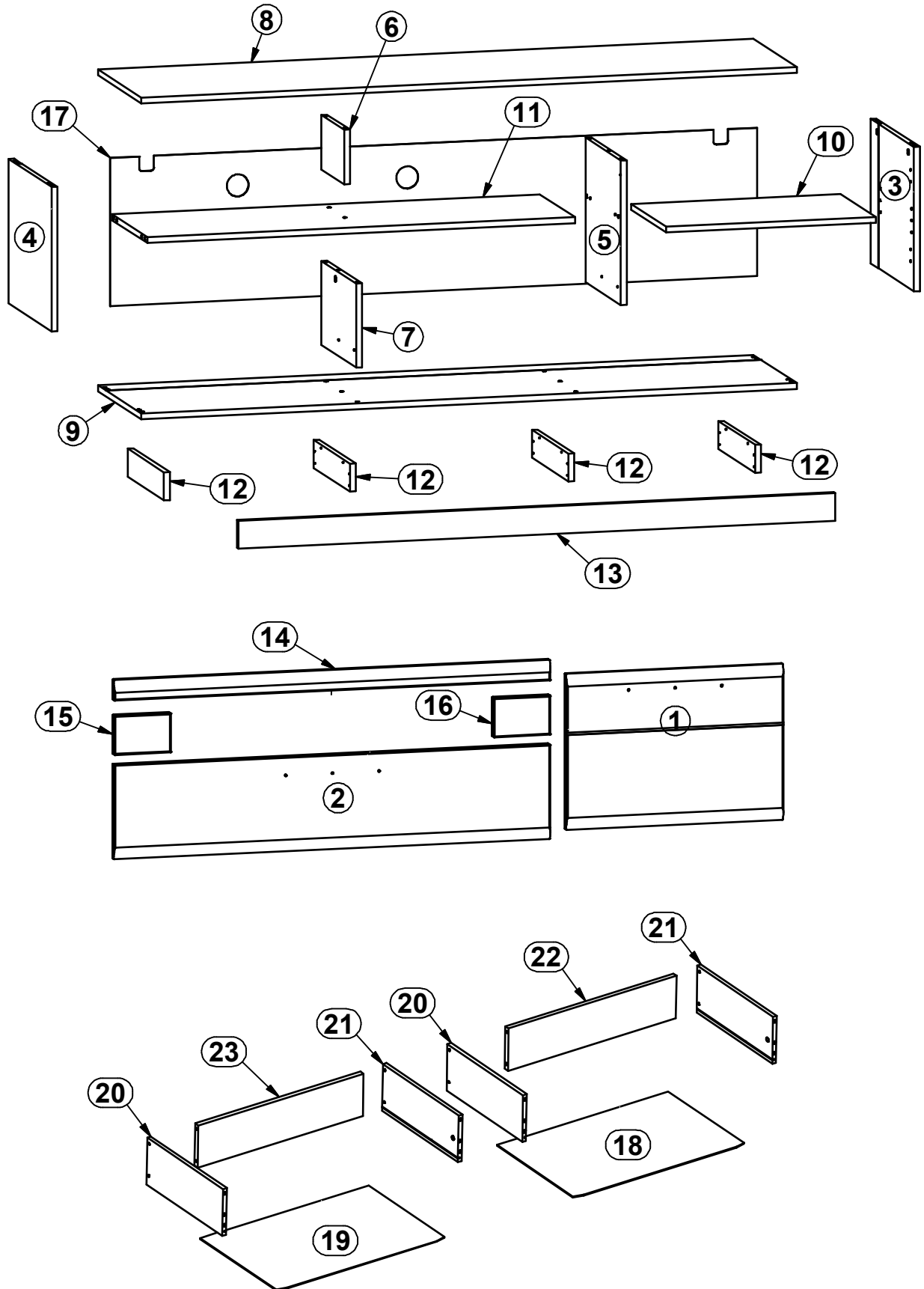


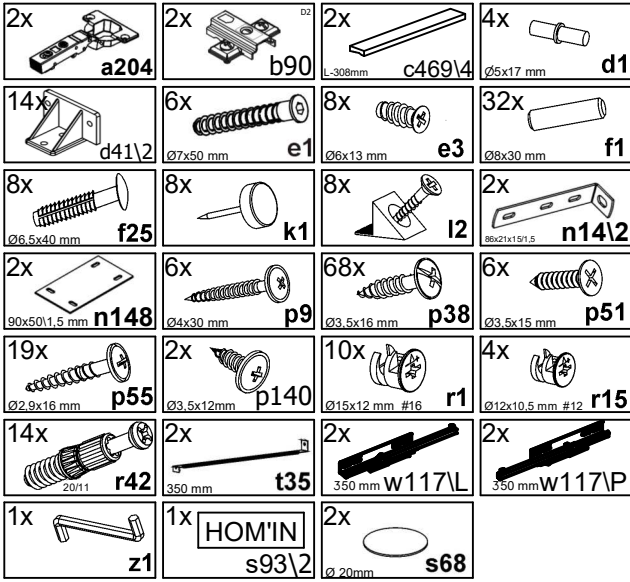


LED ZETA S 3S

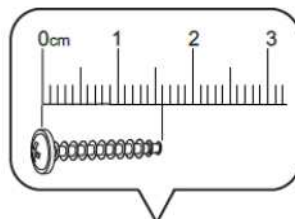


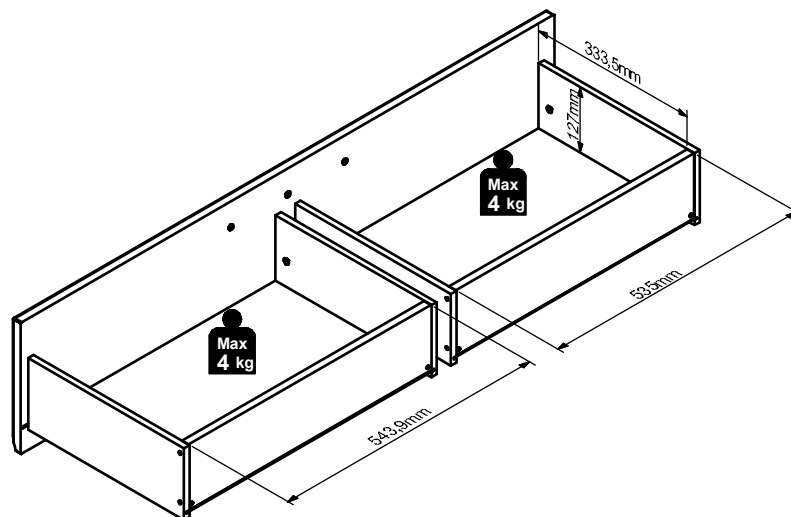
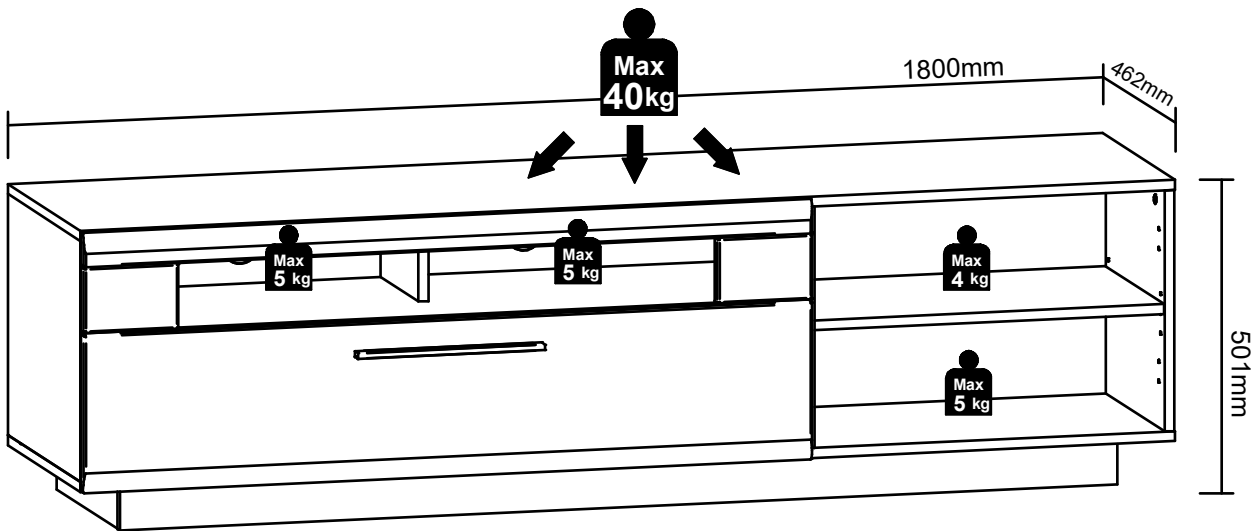
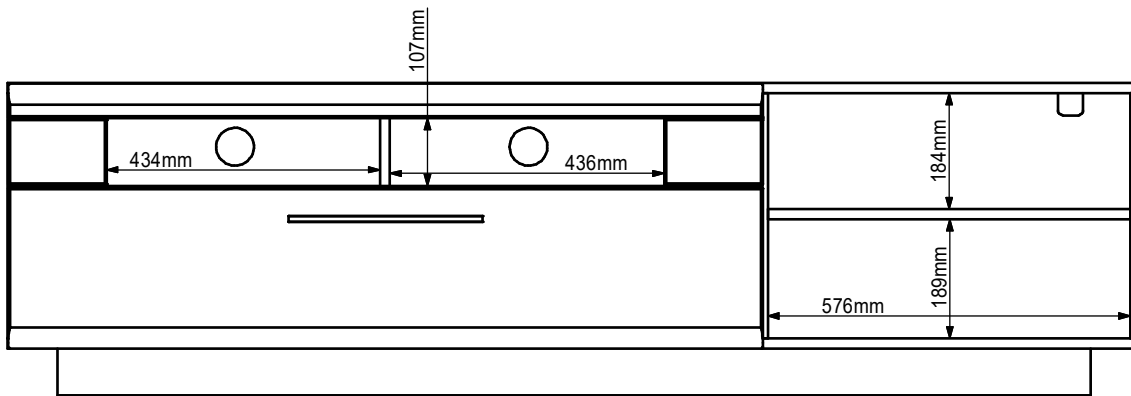


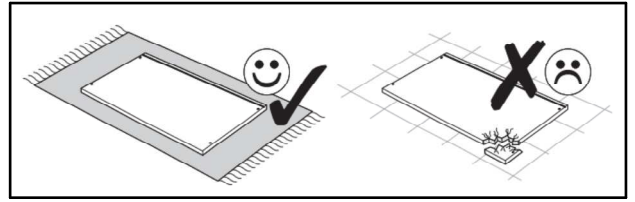
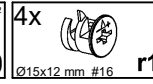
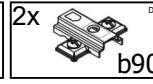
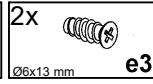
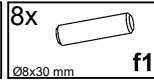
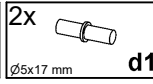
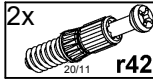
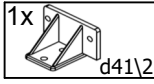
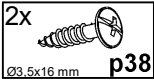




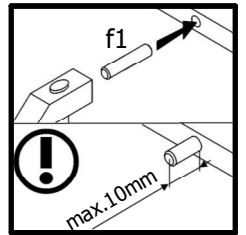
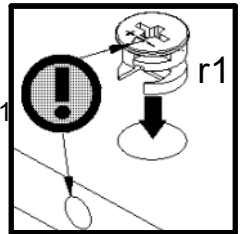
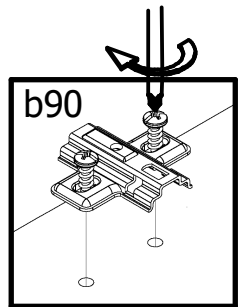
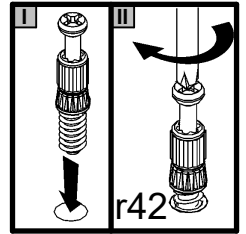
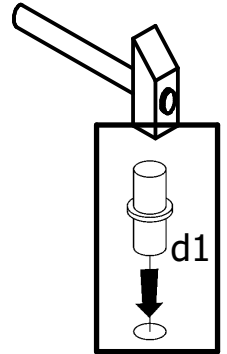
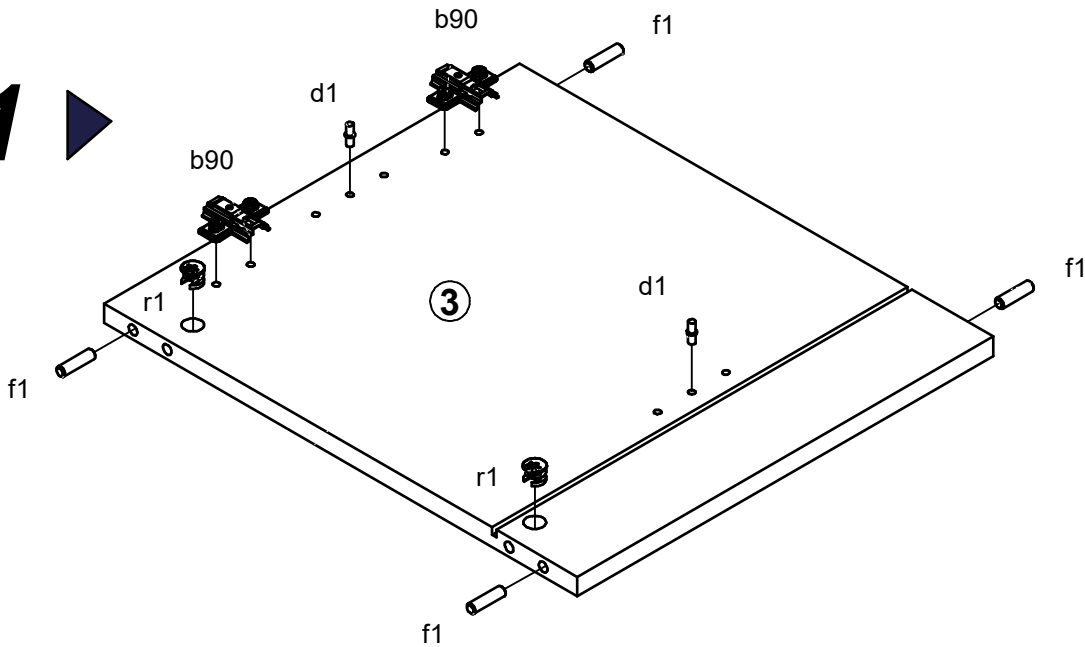
A	B1	B2	C1	C2	C3	D
1	S577-0001	-3	596	420	19	1/2
2	S577-0002	-3	1198	256	19	1/2
3	S577-1002	-2	389	443	16	2/2
4	S577-1003	-2	389	443	16	2/2
5	S577-1004	-3	389	363	16	2/2
6	S577-1005	-4	147	233	16	1/2
7	S577-1006	-4	226	359	16	2/2
8	S577-2006	-6	1800	443	16	2/2
9	S577-2007	-3	1800	443	16	2/2
10	S577-3004	-4	575	359	16	1/2
11	S577-3005	-3	1175	363	16	1/2
12	S577-4005	-5	374	75	16	1/2
13	S577-4006	-4	1640	75	16	2/2
14	S577-5004	-3	1198	55	19	1/2
15	S577-5005	-2	156	106	19	1/2
16	S577-5006	-2	156	106	19	1/2
17	S577-9001	-6	1777	399	2,5	2/2
18	WSP-9148	-4	554	358	2,5	1/2
19	WSP-9552	-1	545	358	2,5	1/2
20	WSQ3-5005	-5	350	140	12	1/2
21	WSQ3-5006	-5	350	140	12	1/2
22	ZQ6-5024	A.29	544	127	15	1/2
23	ZQ6-5041	A.29	535	127	15	1/2



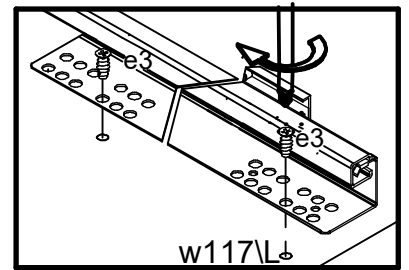
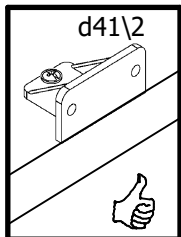
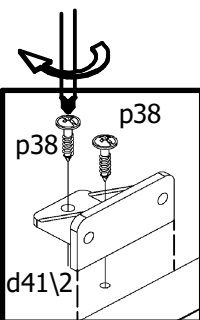
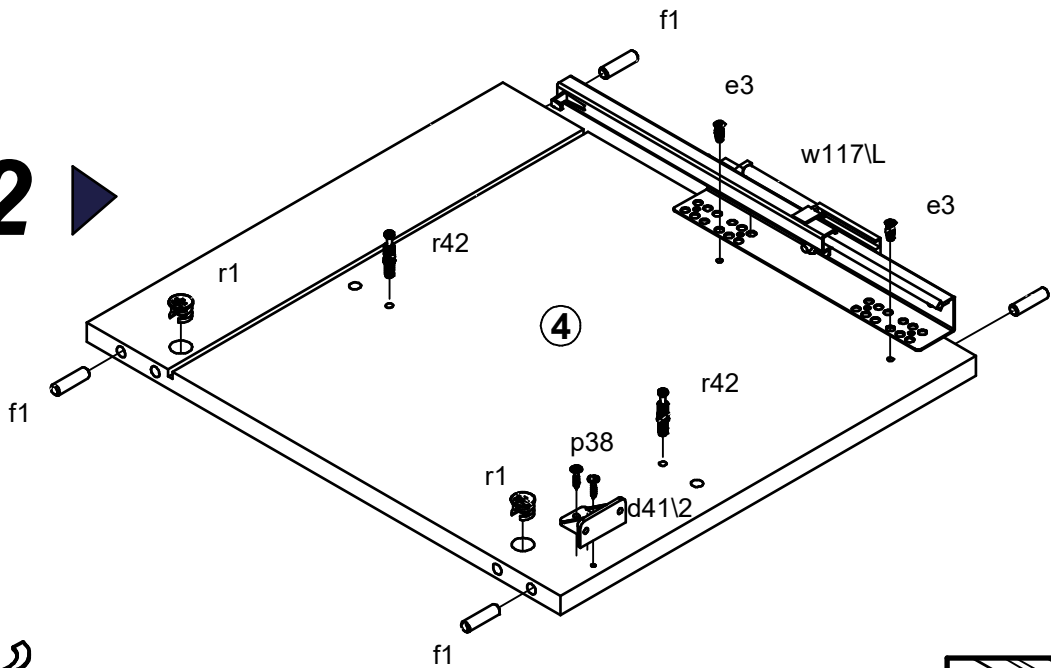




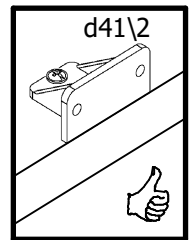
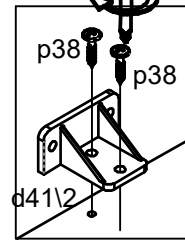
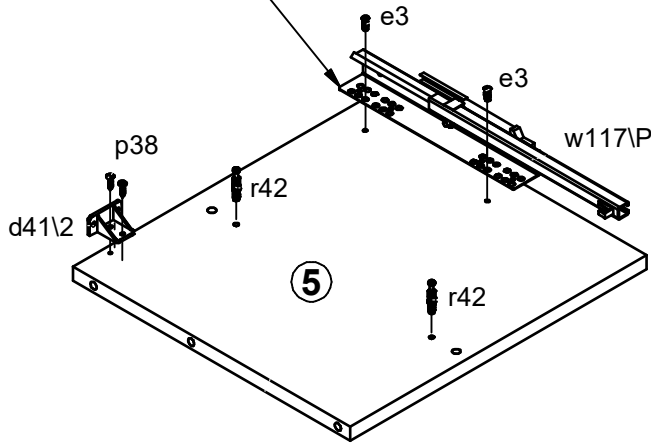
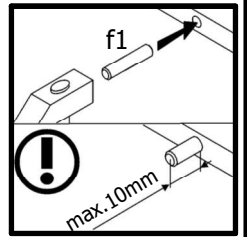
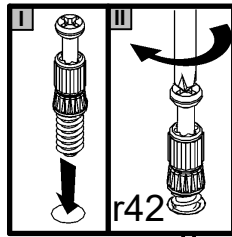
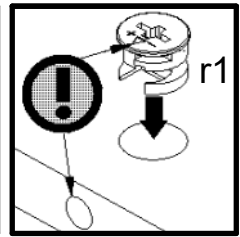
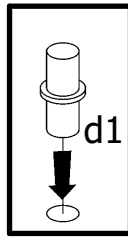
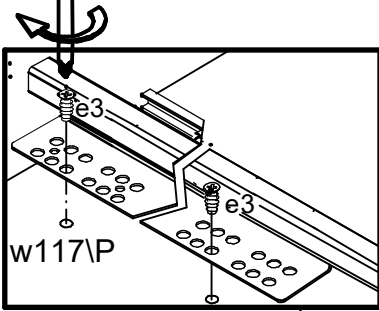
1 ▶



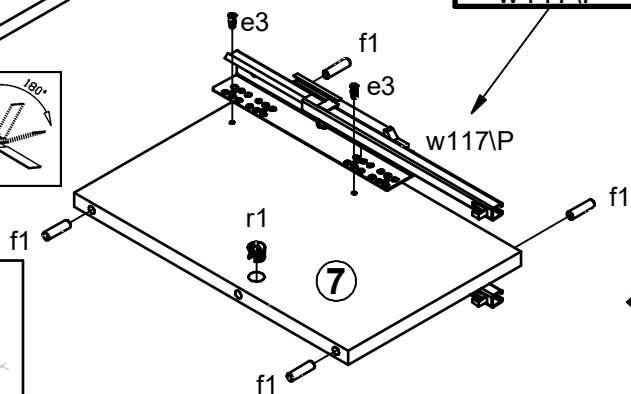
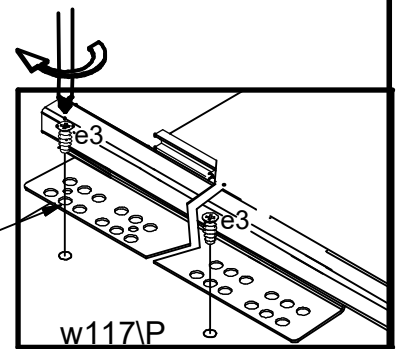
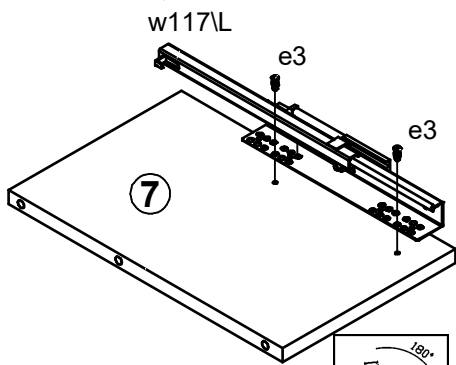
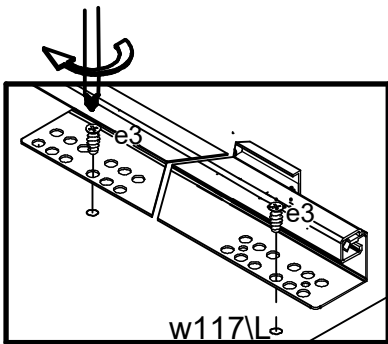
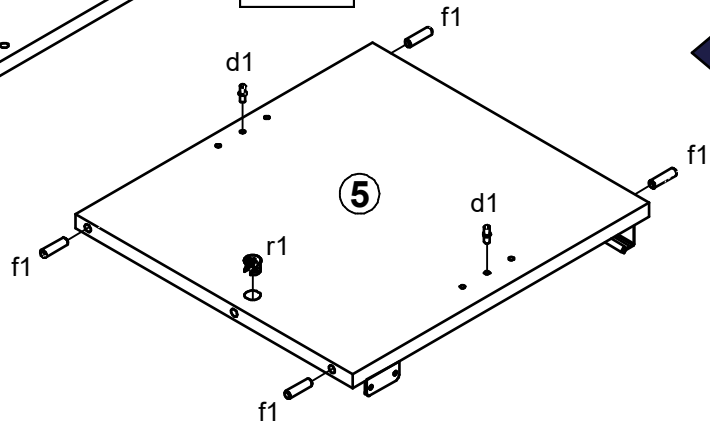
2 ▶



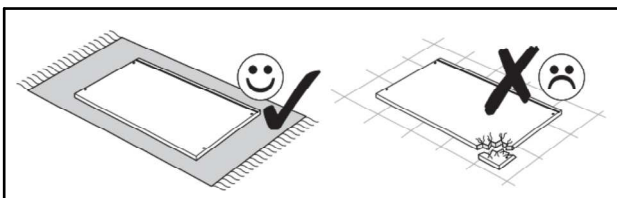
2x Ø3.5x16 mm p38	1x d41\2	2x 20\11 r42	2x Ø5x17 mm d1	8x Ø8x30 mm f1	6x Ø6x13 mm e3	2x Ø15x12 mm #16 r1	2x 350 mm W117\P	1x 350 mm W117\L
-------------------------	-------------	--------------------	----------------------	----------------------	----------------------	---------------------------	---------------------	---------------------



3

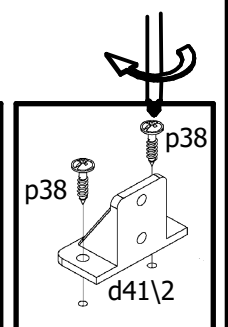
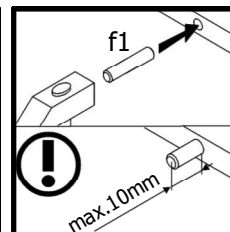
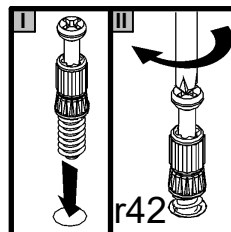
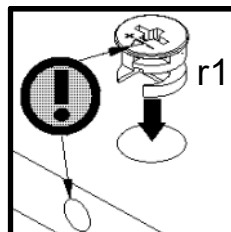
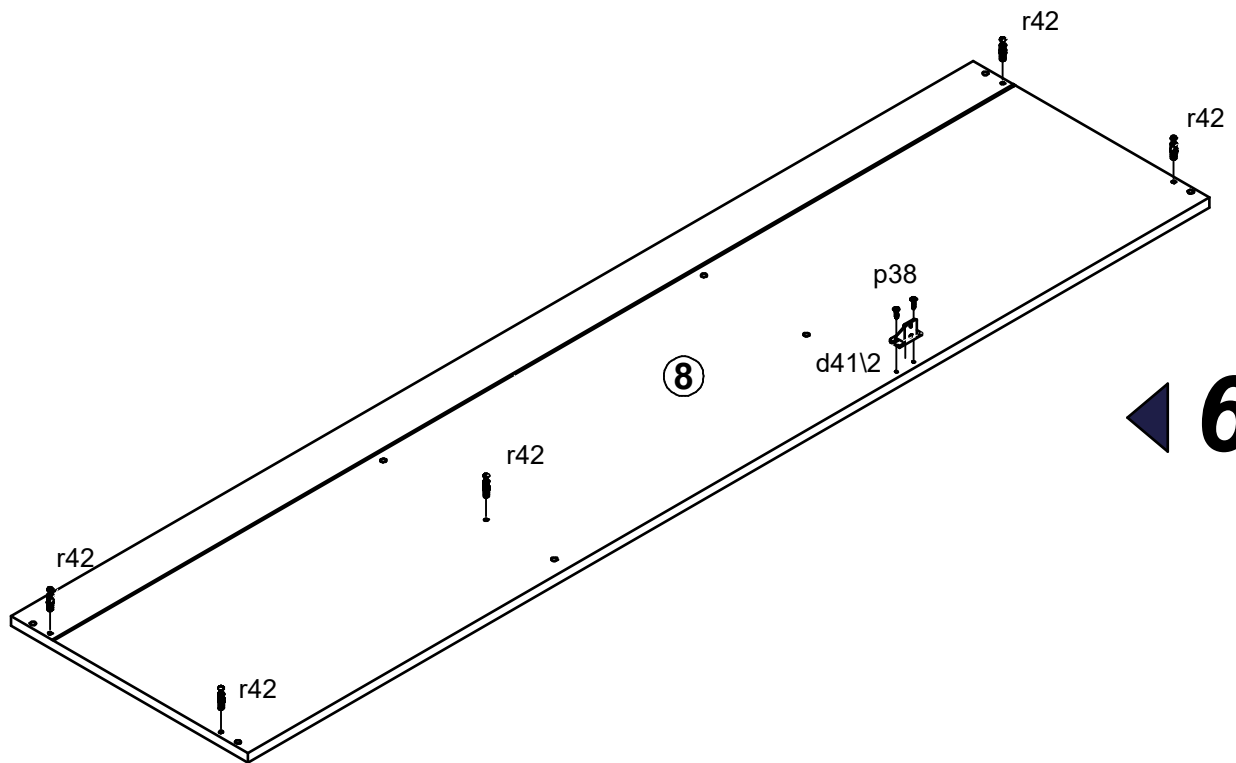
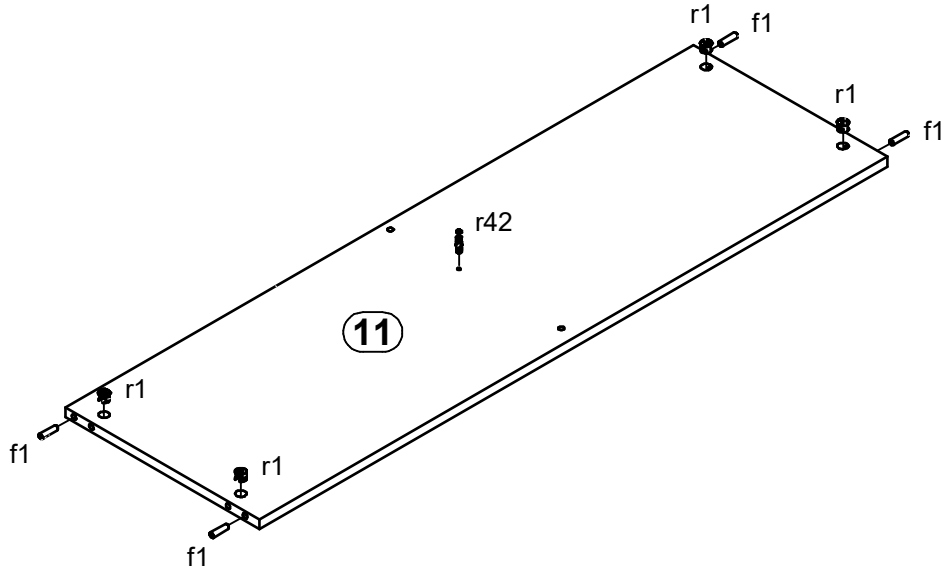
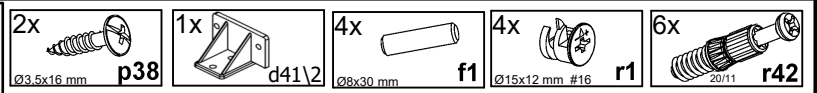
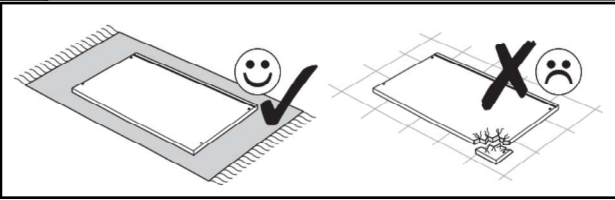


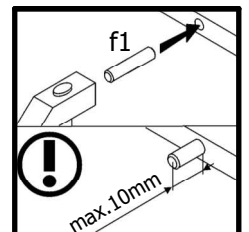
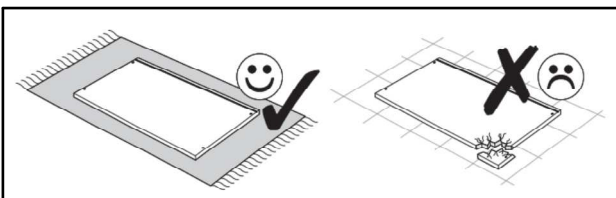
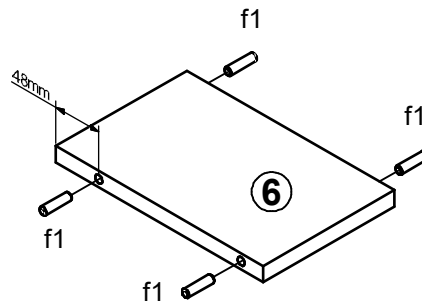
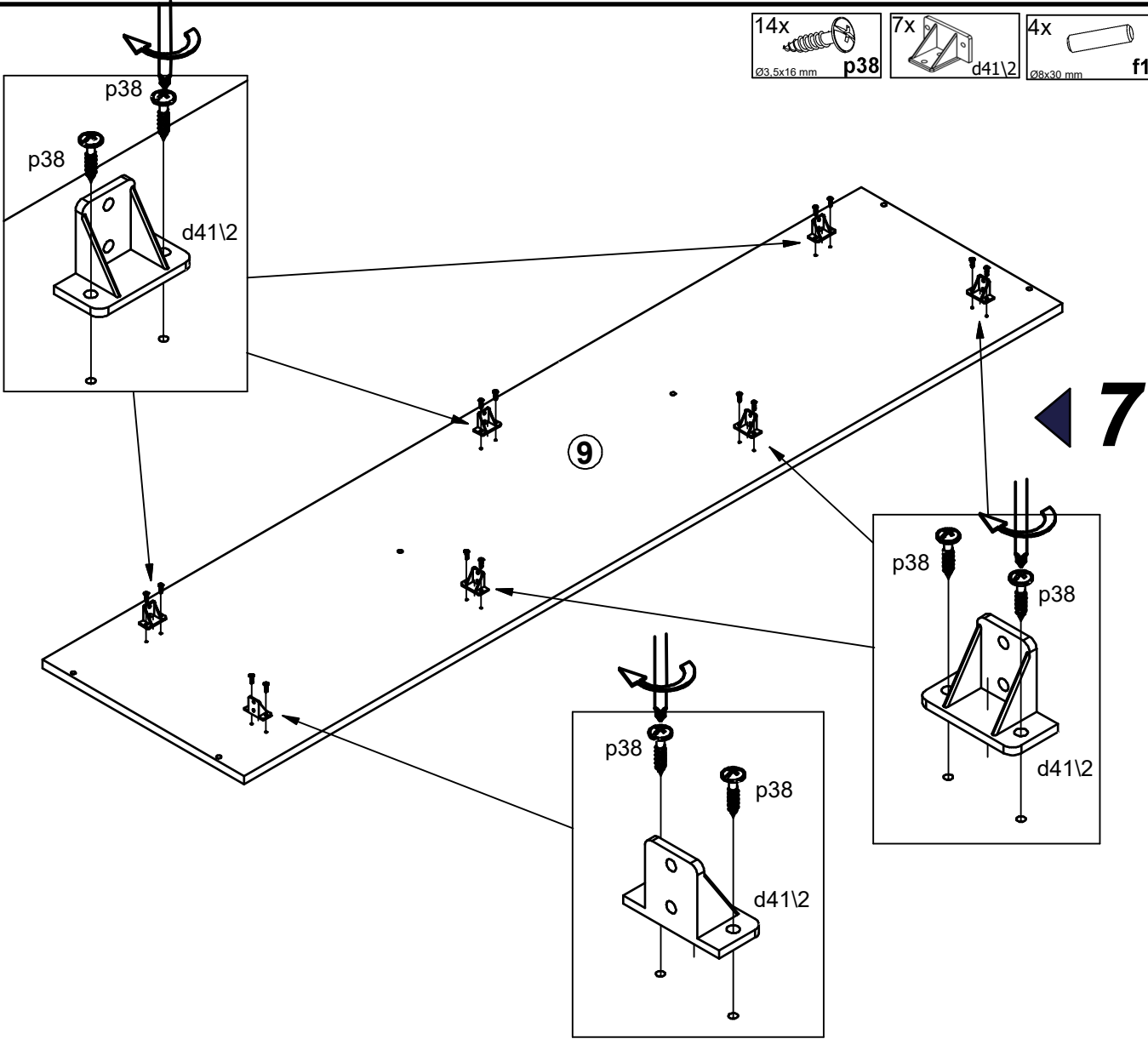
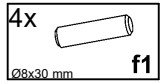
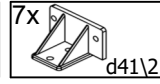
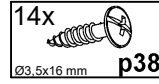
4



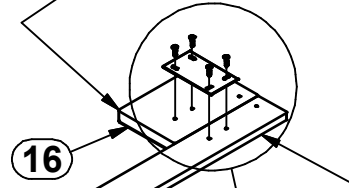
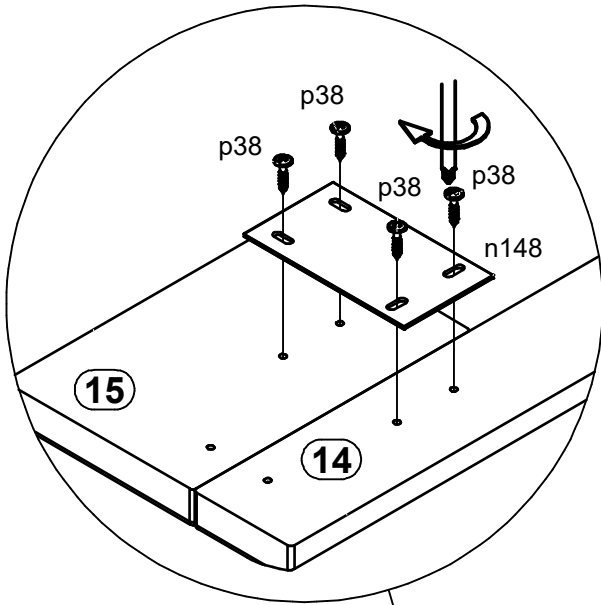
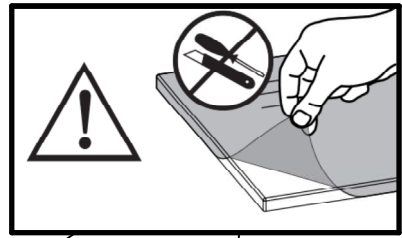
A**S577-RTV1D1S****1BE6--32**

7 / 21

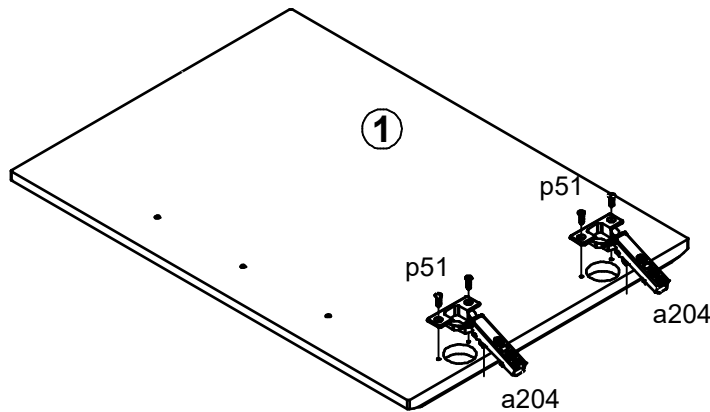
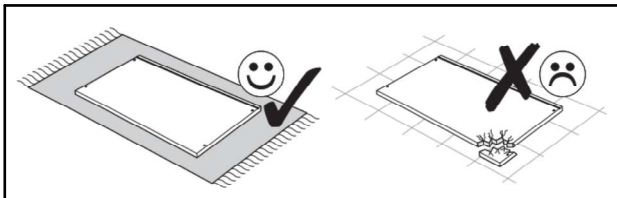
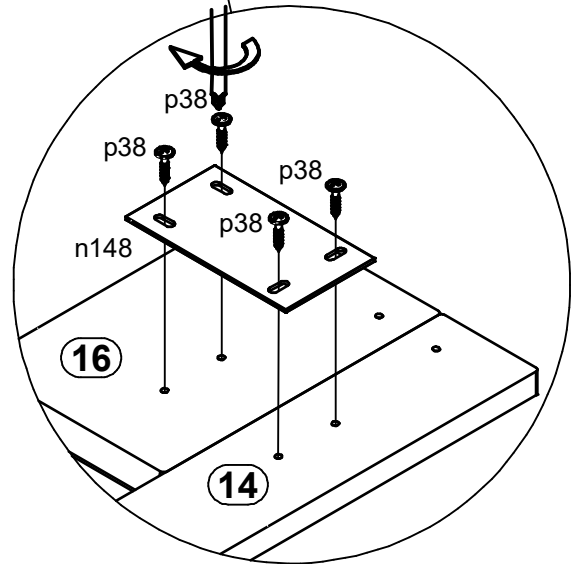
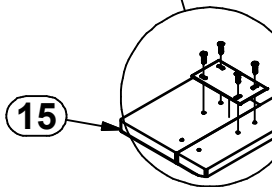




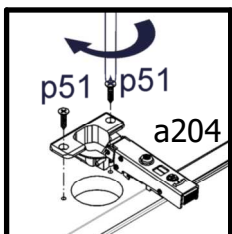
8x Ø3.5x16 mm p38	2x 90x50x1.5 mm n148	2x a204	4x Ø3.5x15 mm p51
--------------------------------	-----------------------------------	-------------------	--------------------------------

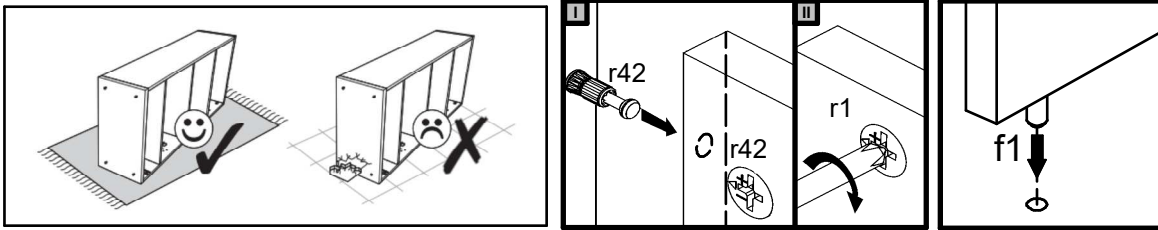
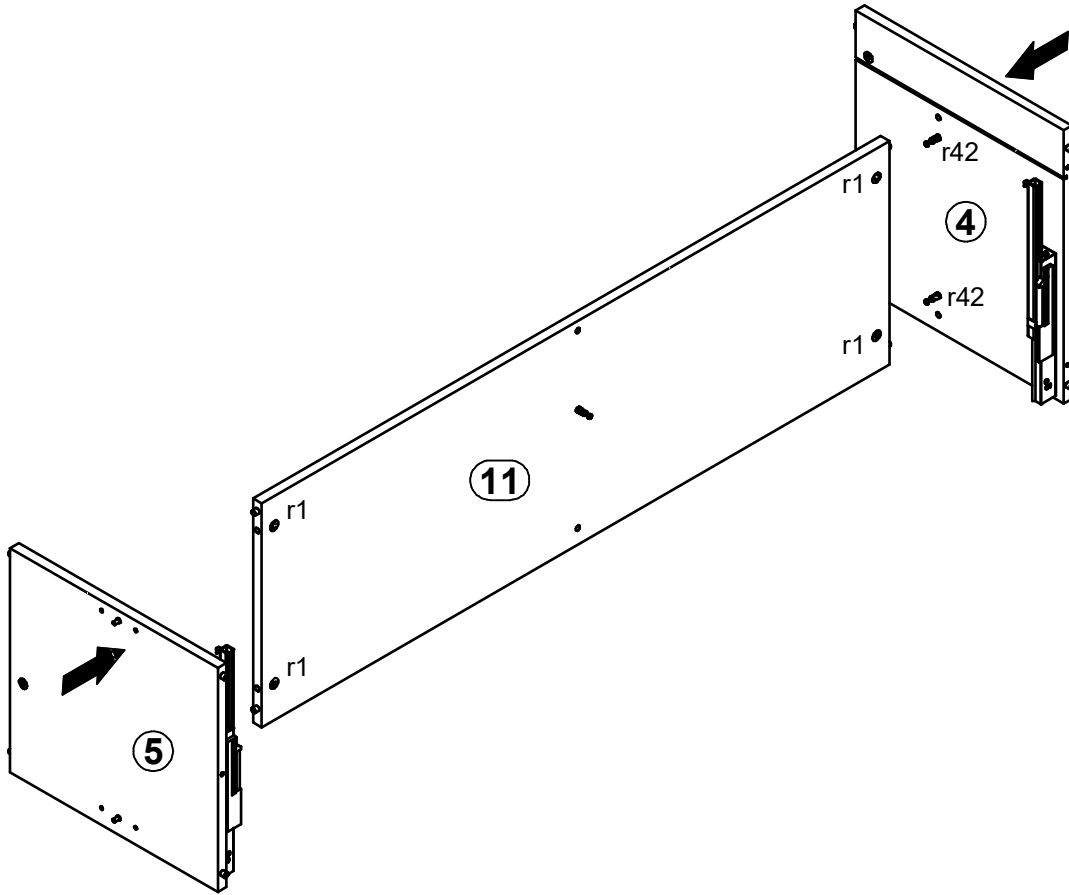
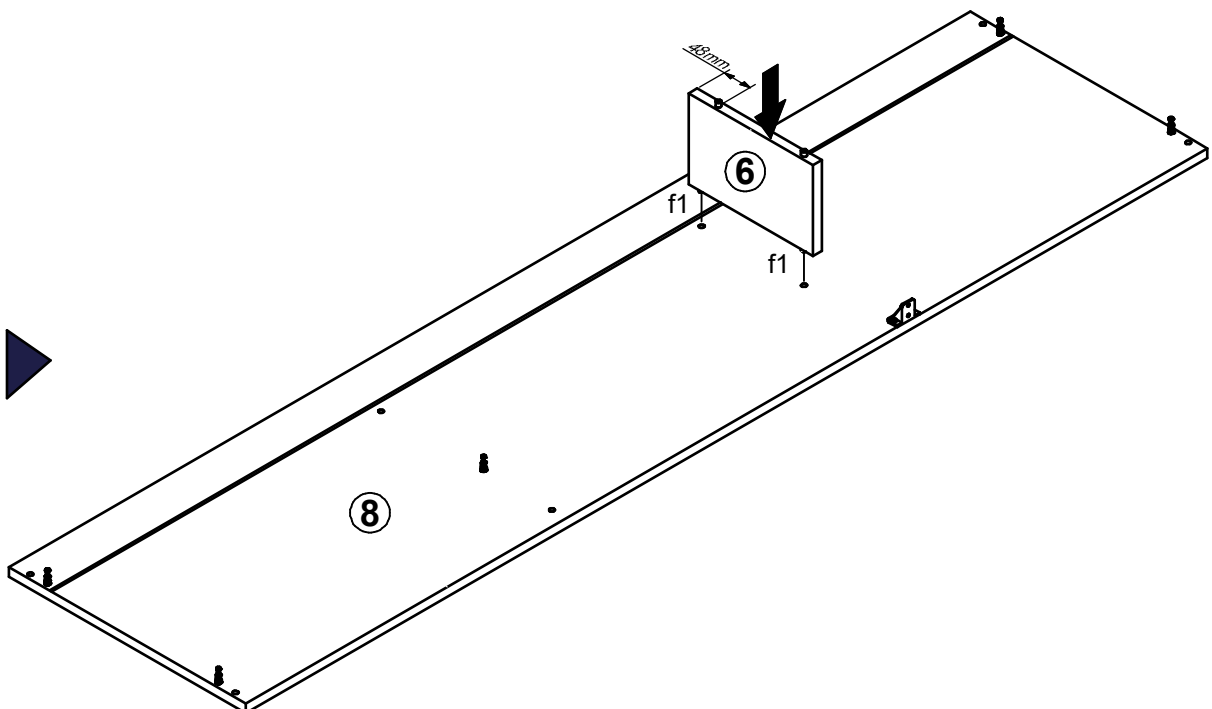


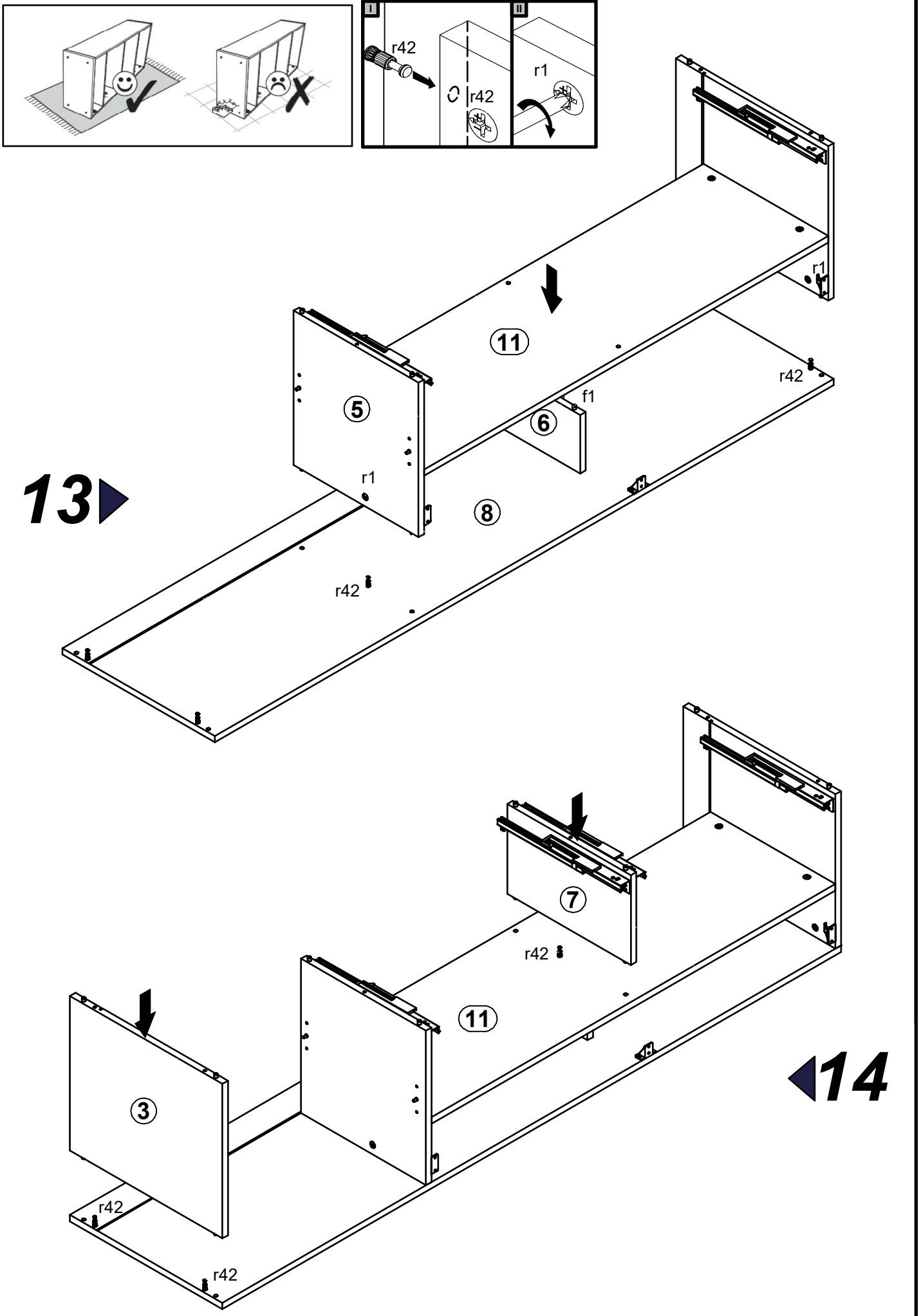
◀ 9



◀ 10



**11▶****12▶**

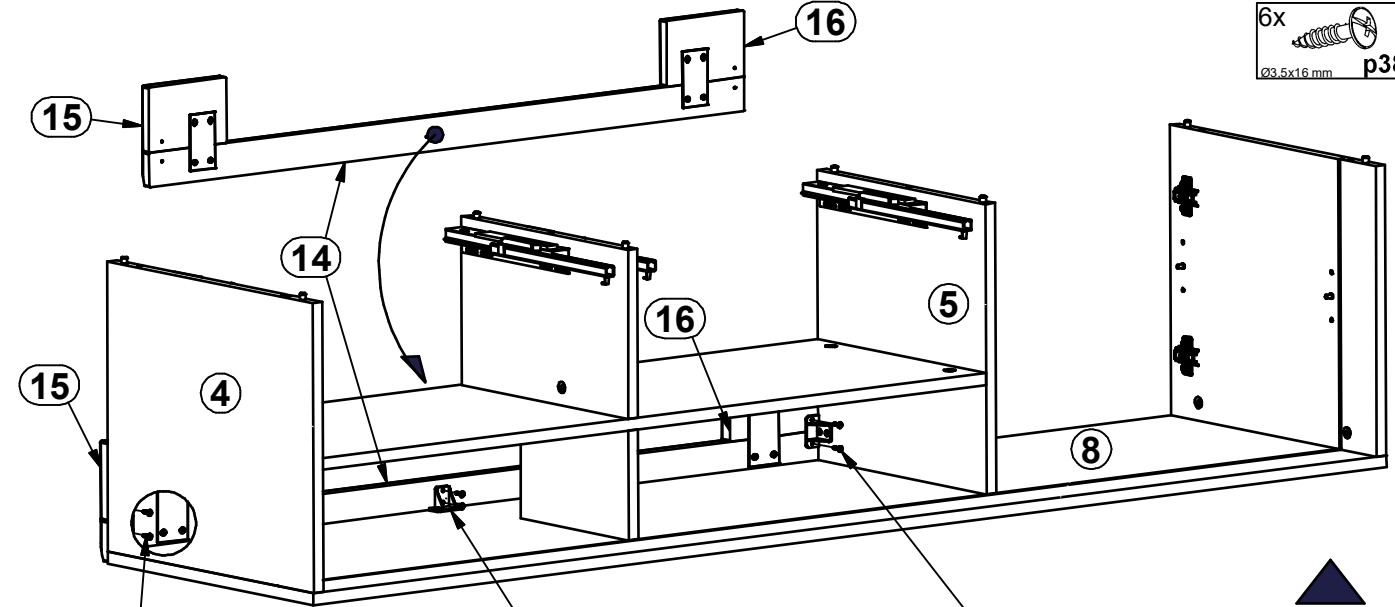
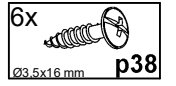


A

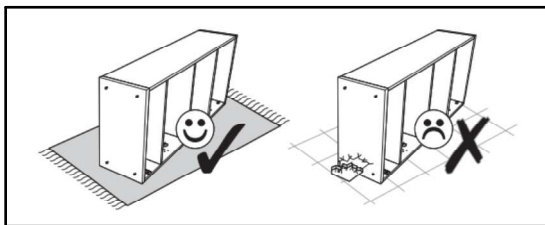
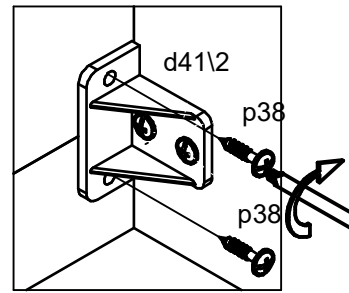
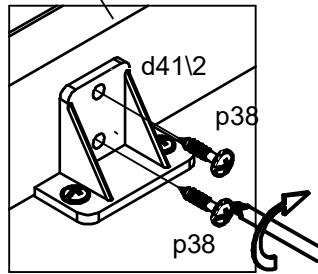
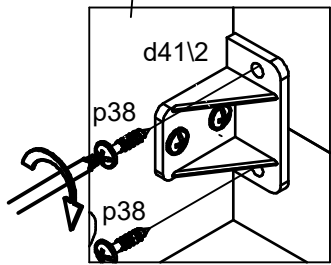
S577-RTV1D1S

1BE6--32

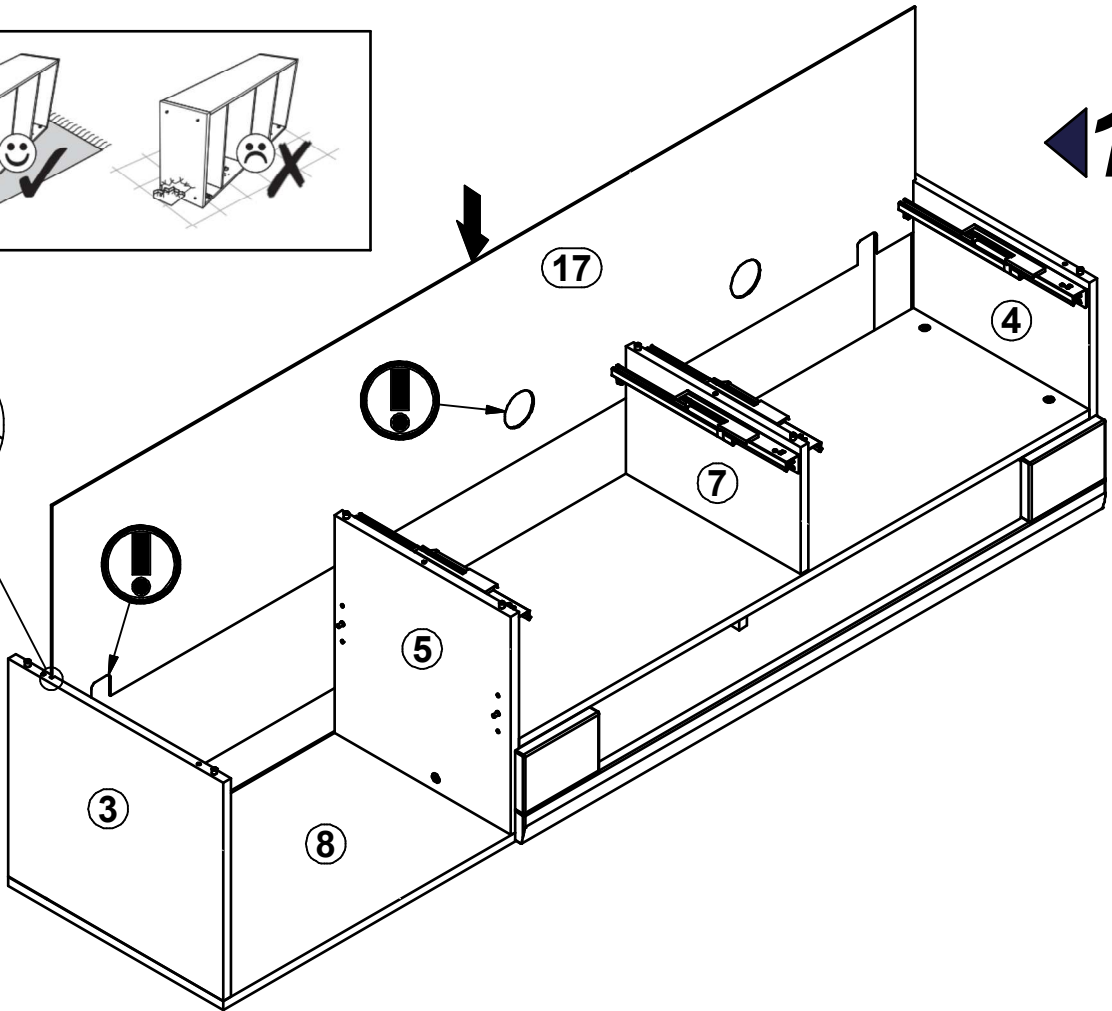
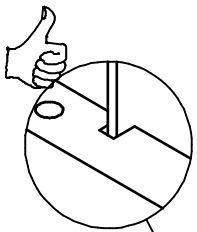
12 / 21



15

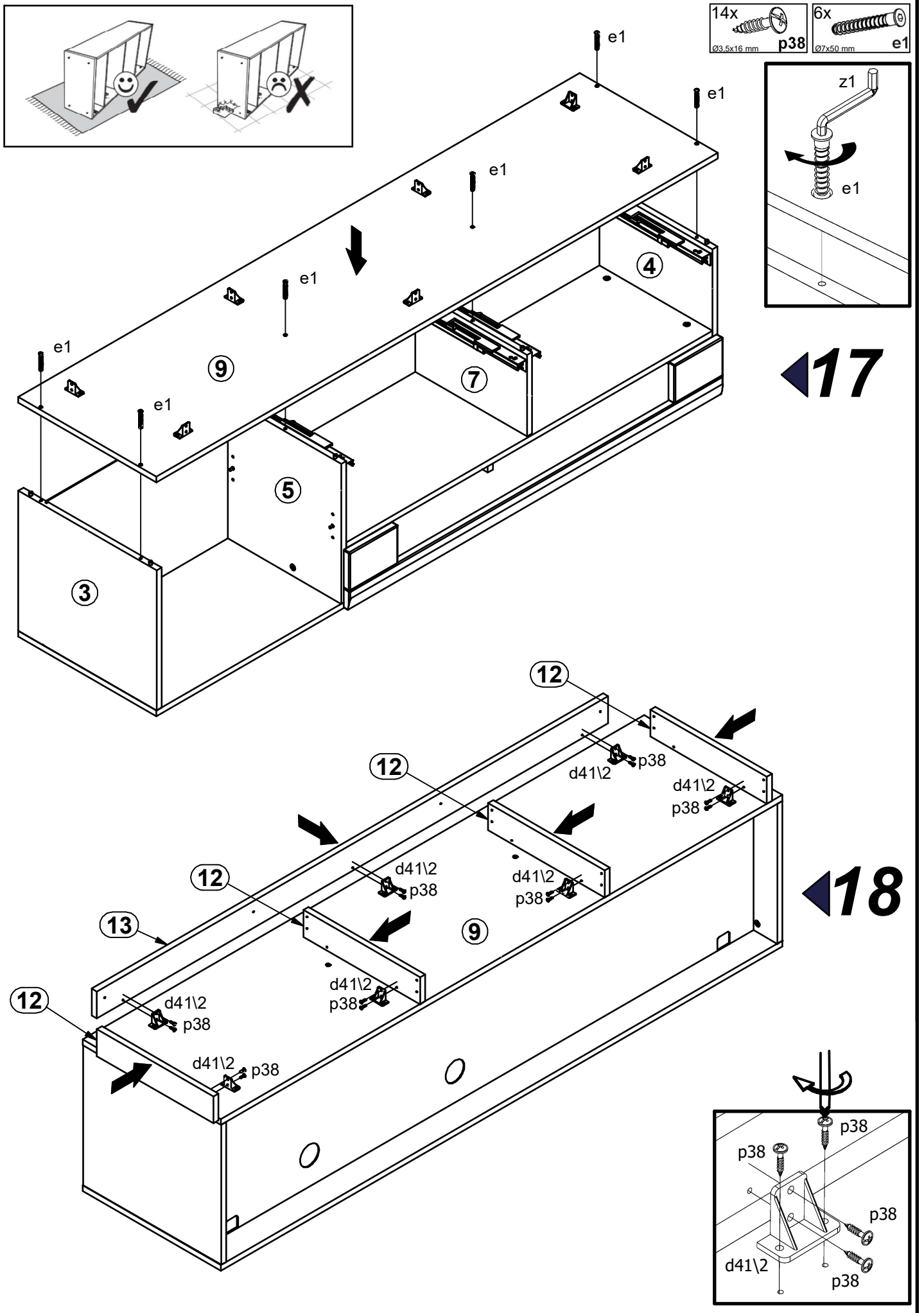


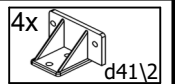
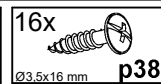
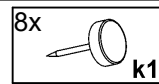
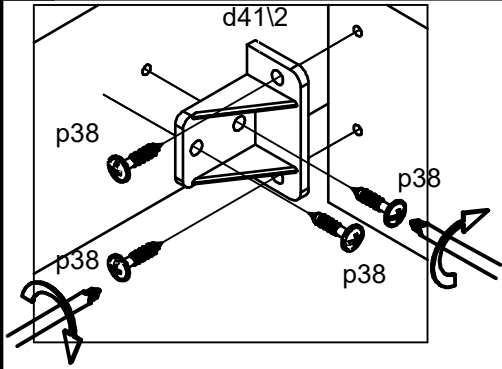
16



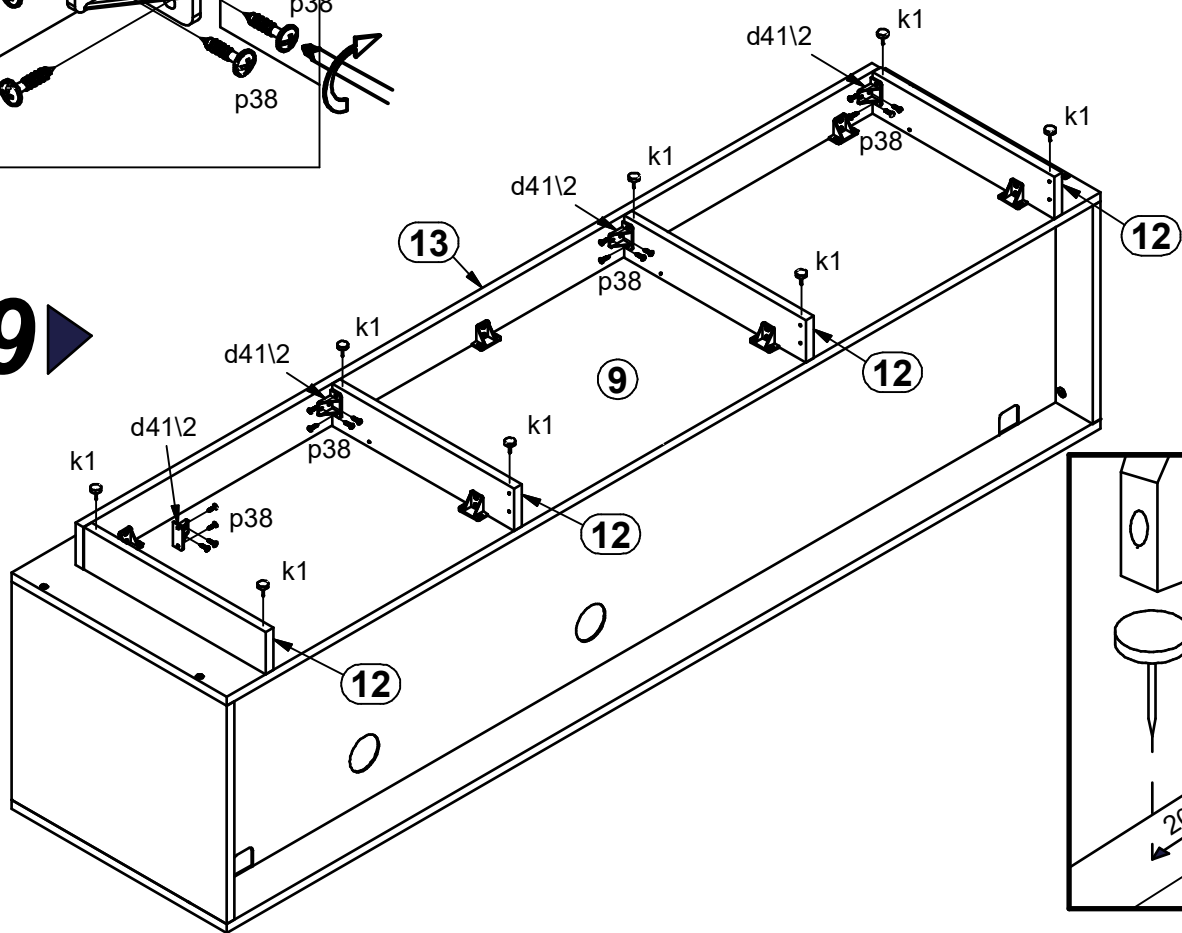
A**S577-RTV1D1S****1BE6--32**

13 / 21

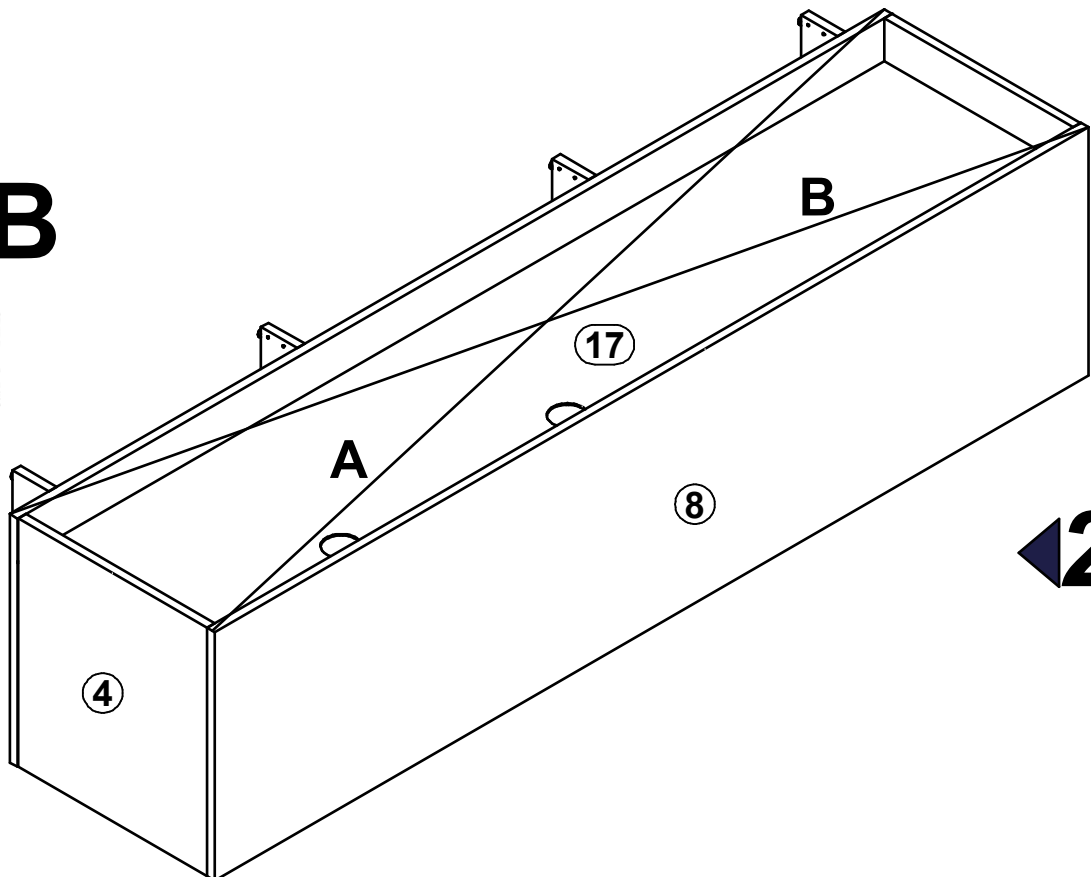
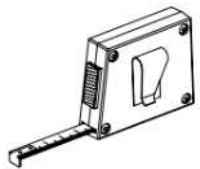




19 ▶



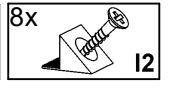
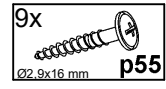
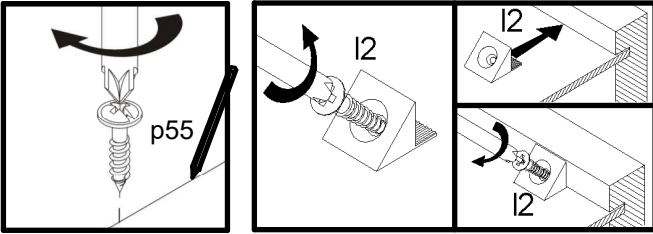
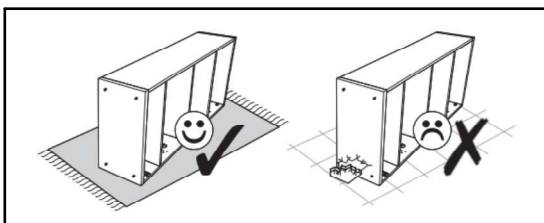
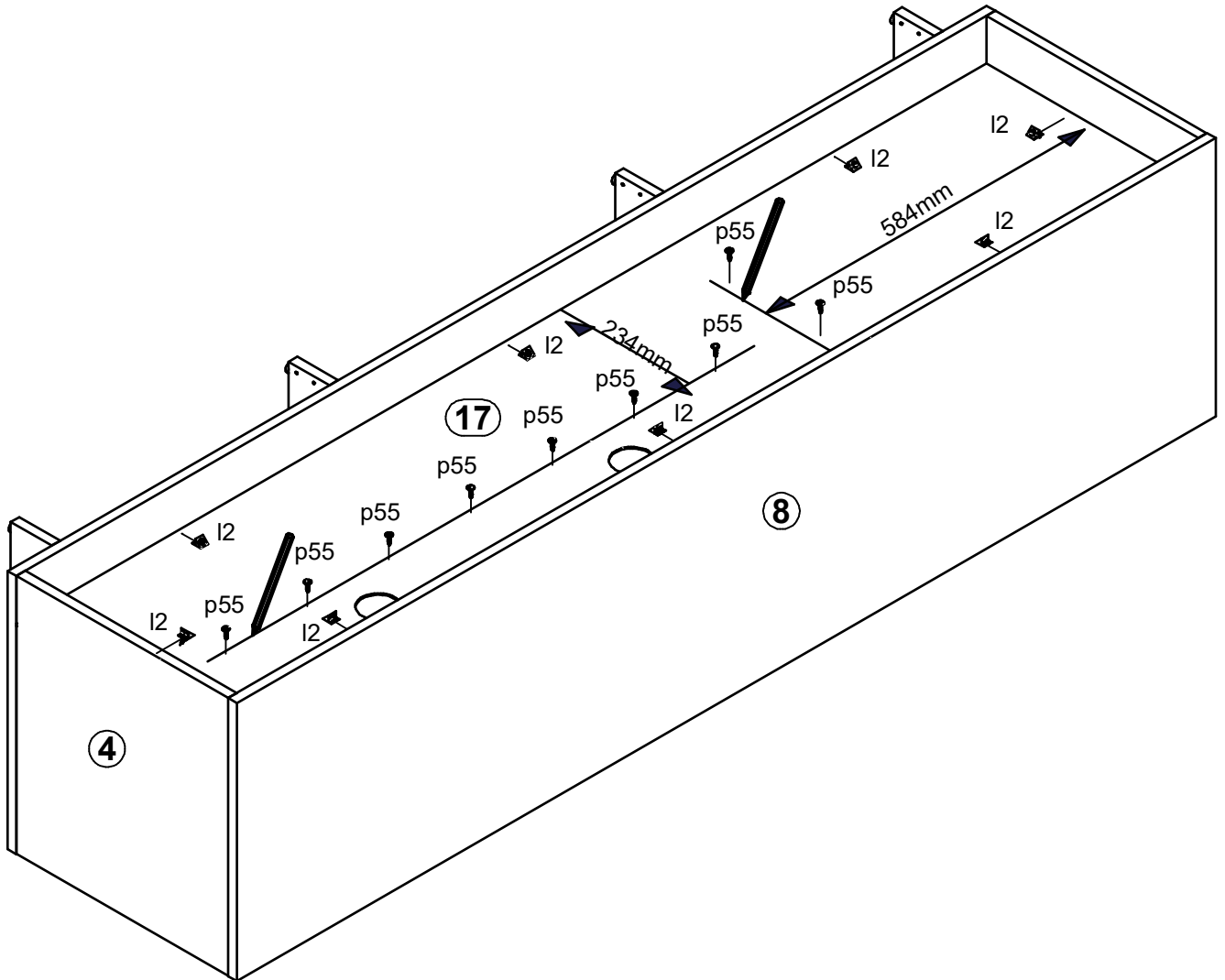
⚠
A=B

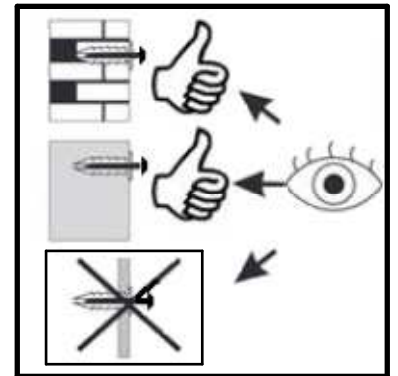
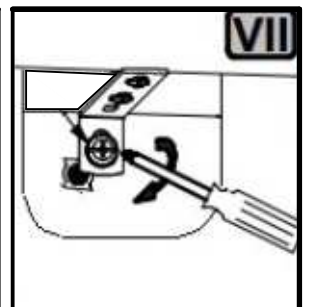
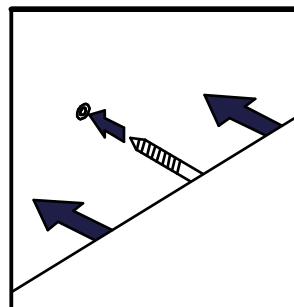
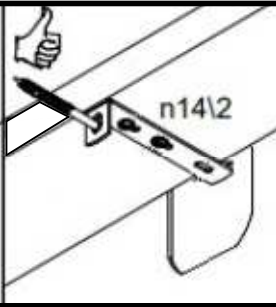
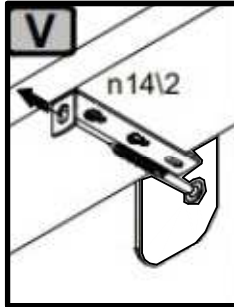
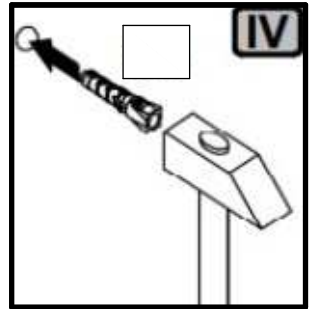
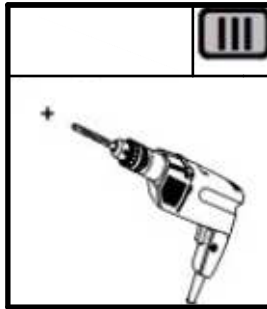
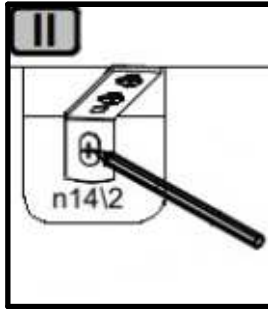
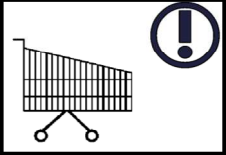
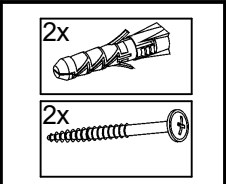
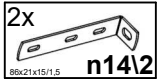
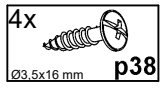


◀ 20

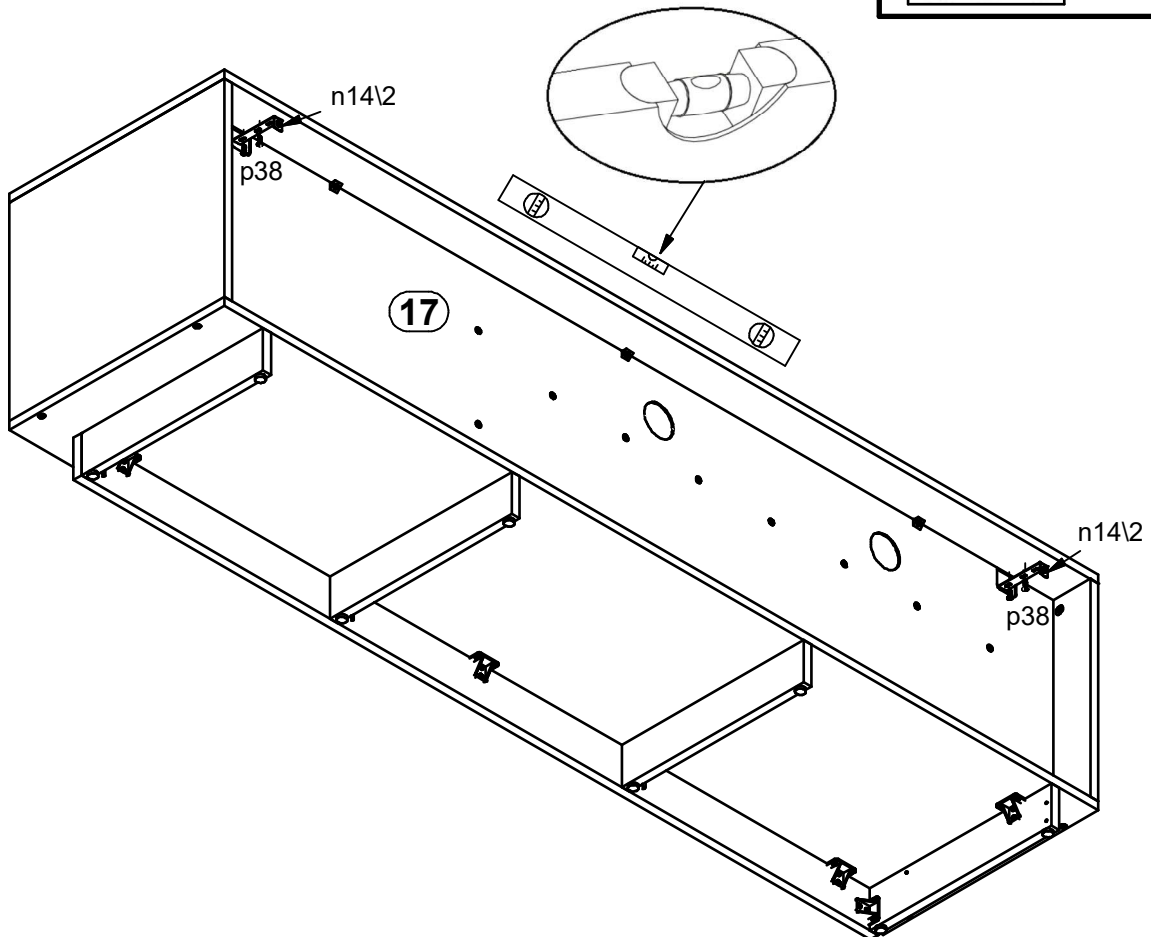
A**S577-RTV1D1S****1BE6--32**

15 / 21

**20**

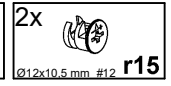
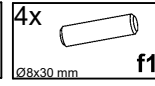
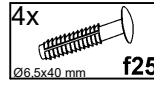
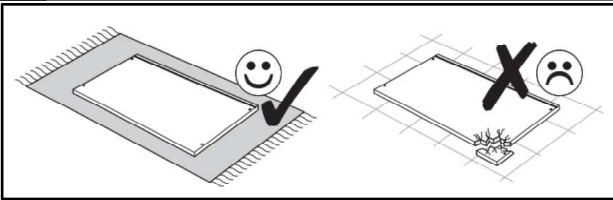
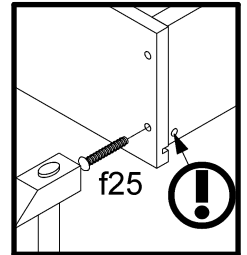
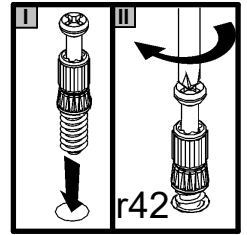
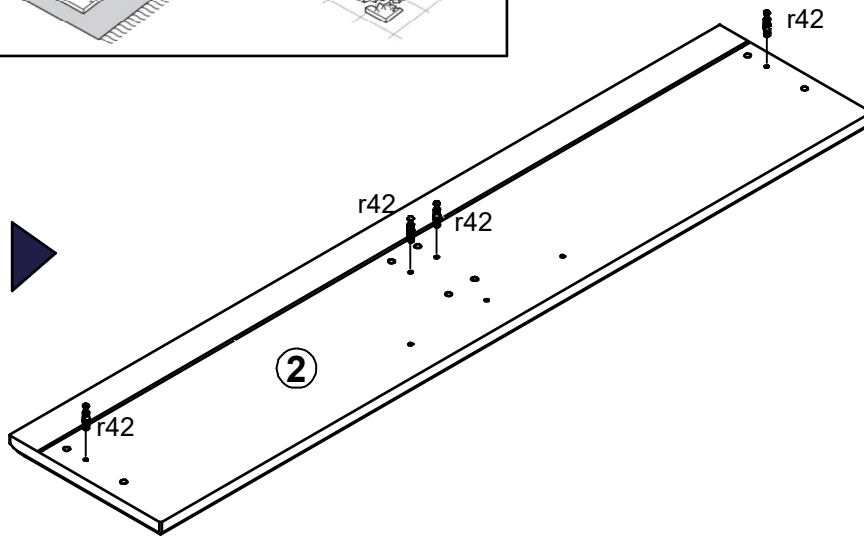
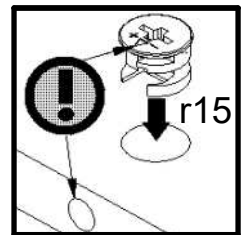
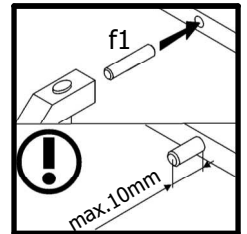
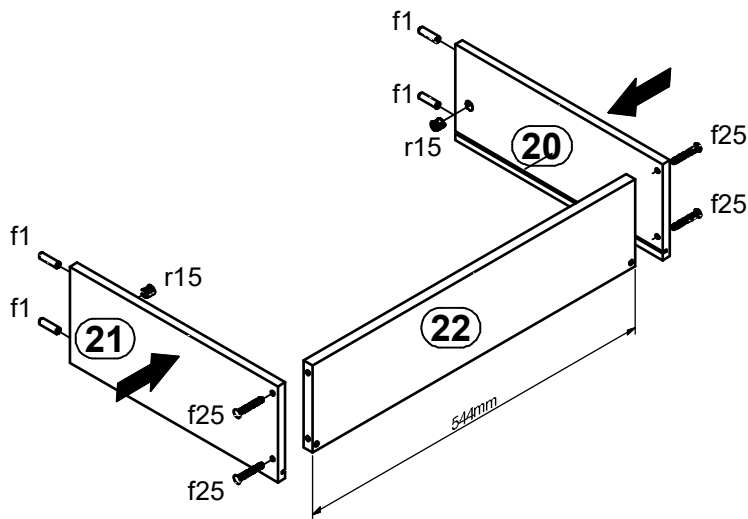
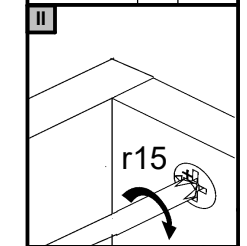
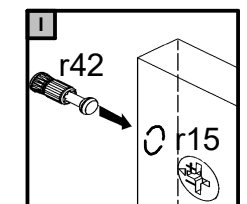
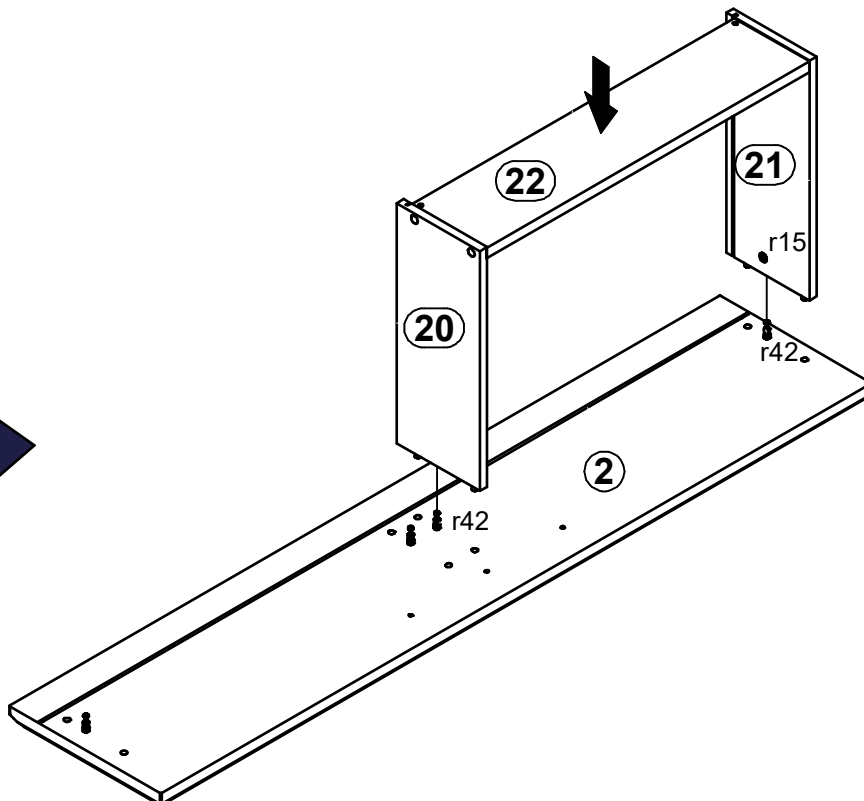


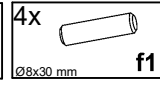
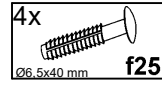
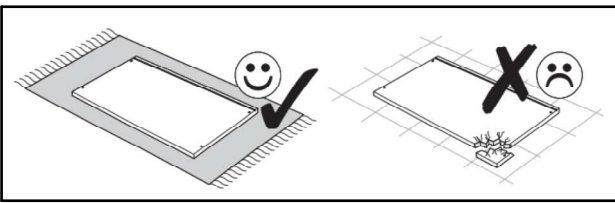
21



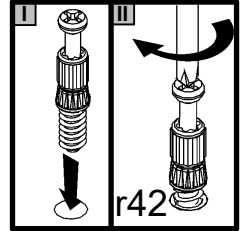
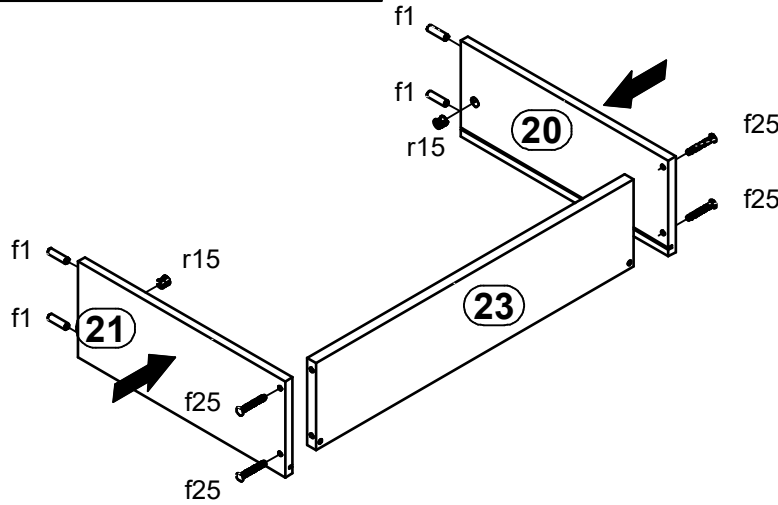
A**S577-RTV1D1S****1BE6--32**

17 /21

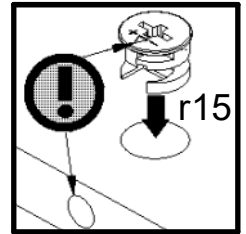
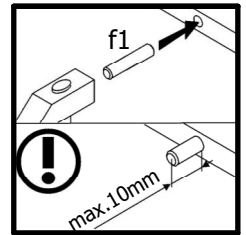
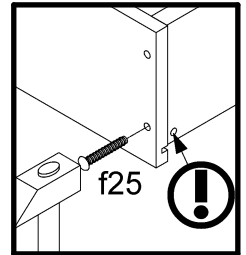
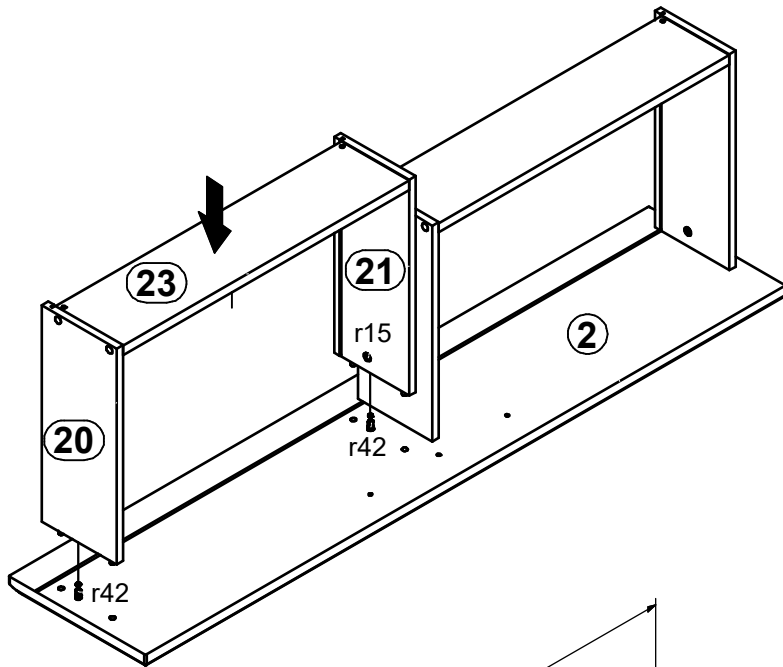
**22** ▶**23** ▶**24** ▶



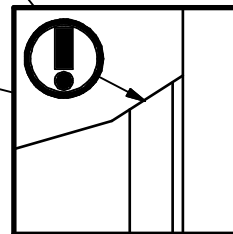
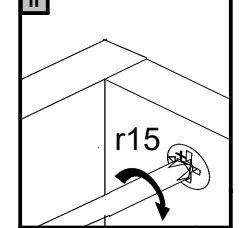
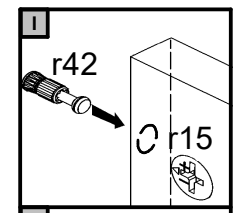
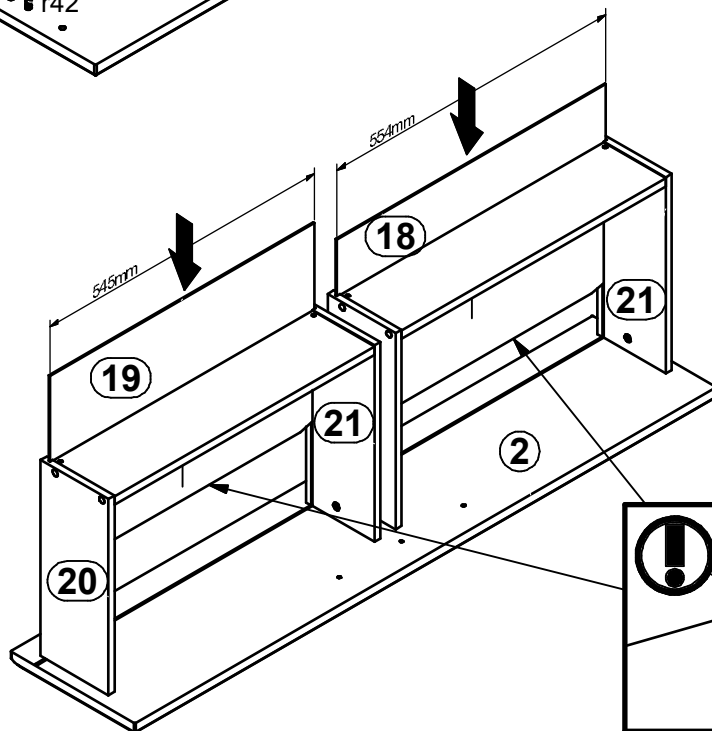
25 ▶



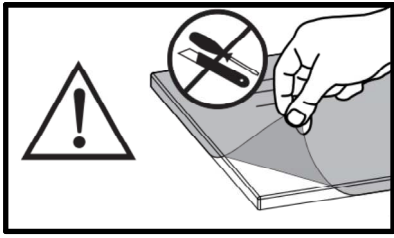
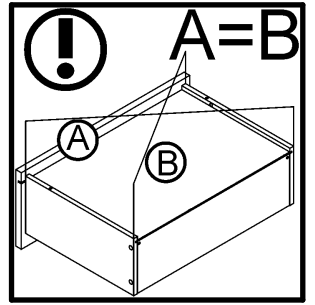
26 ▶



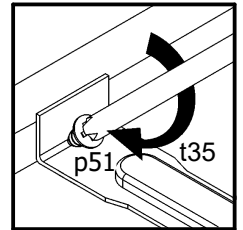
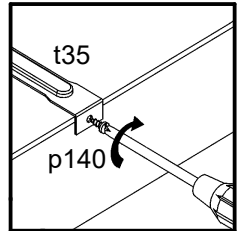
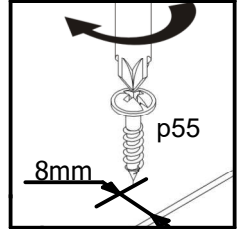
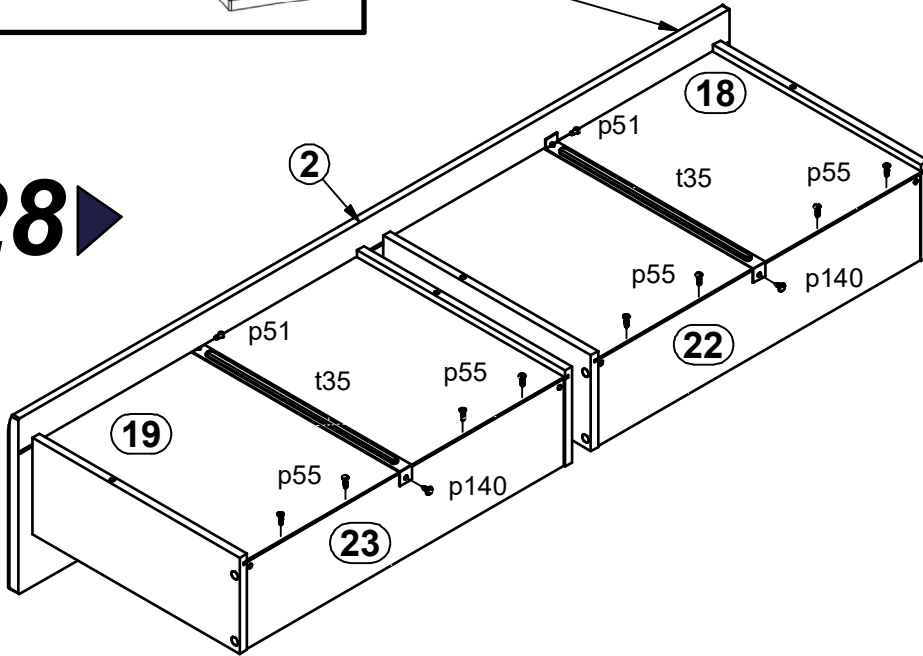
27 ▶



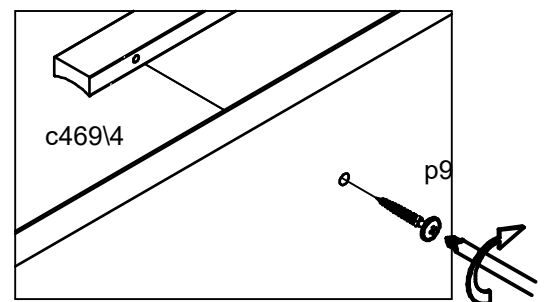
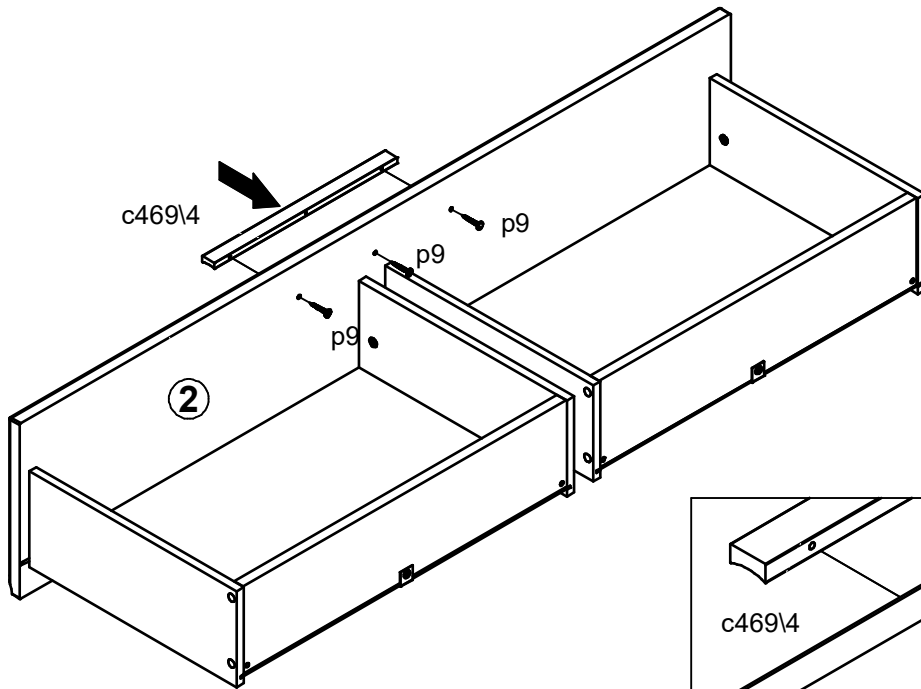
2x 350 mm t35	3x Ø4x30 mm p9	1x L-308mm c469\4	2x Ø3.5x12mm p140	2x Ø3.5x15 mm p51	8x Ø2.9x16 mm p55
---------------------	----------------------	-------------------------	-------------------------	-------------------------	-------------------------



28 ▶

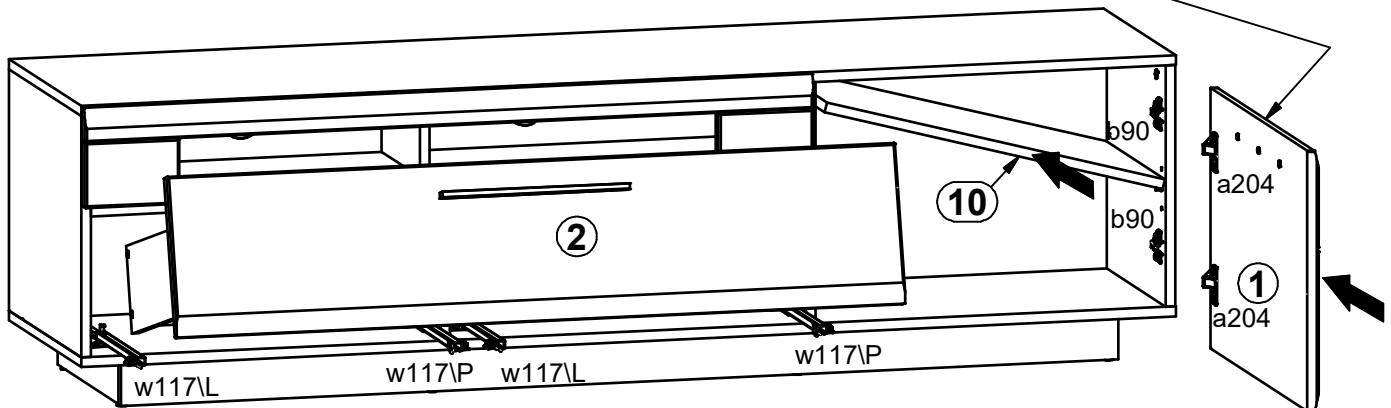
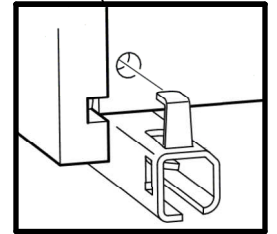
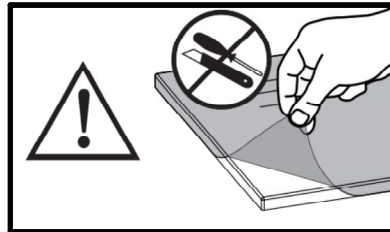
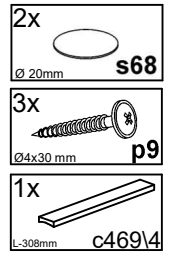
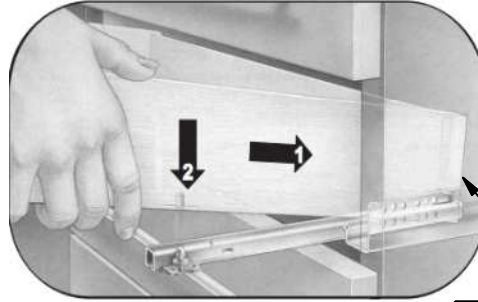
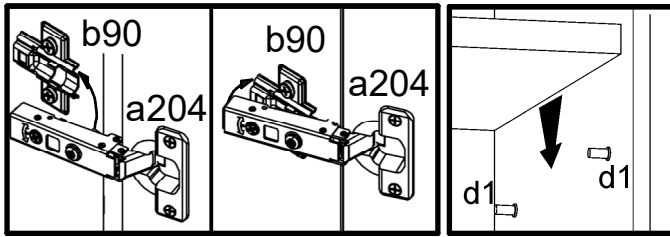
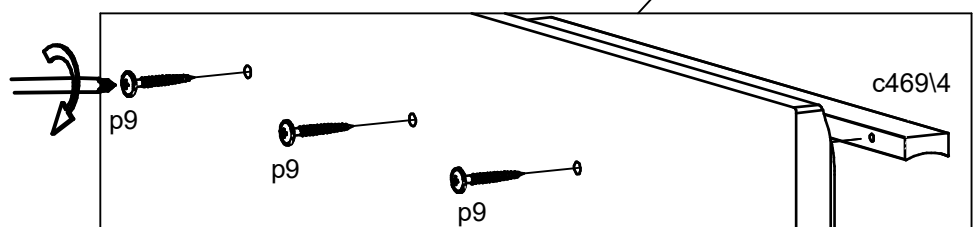
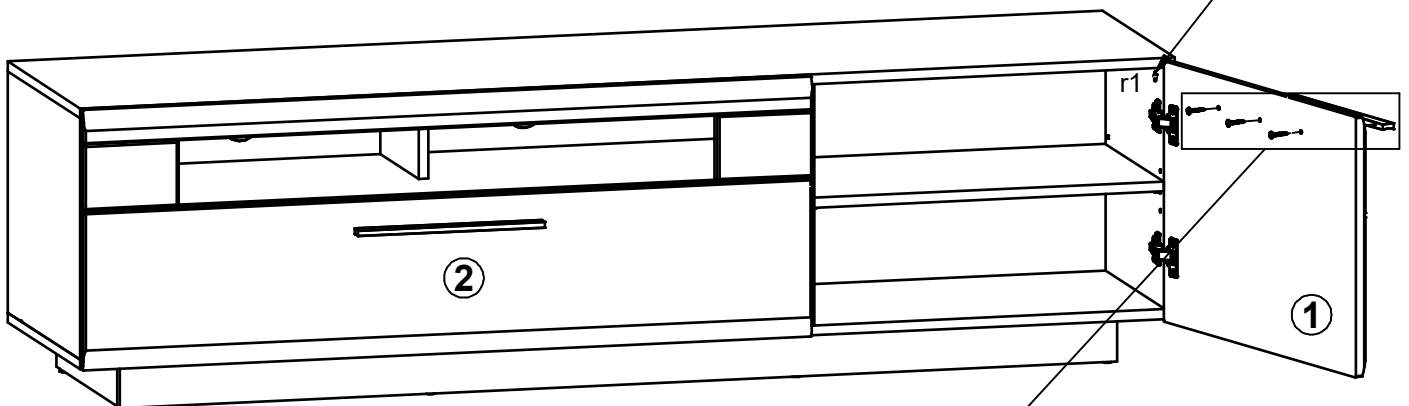
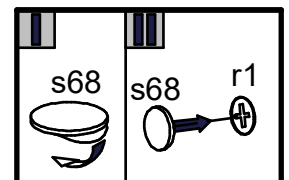


29 ▶



A**S577-RTV1D1S****1BE6--32**

20 / 21

**30****31**

A

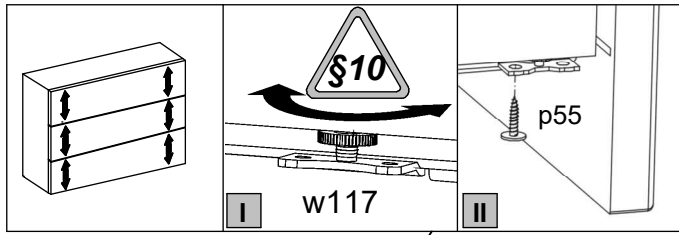
S577-RTV1D1S

1BE6--32

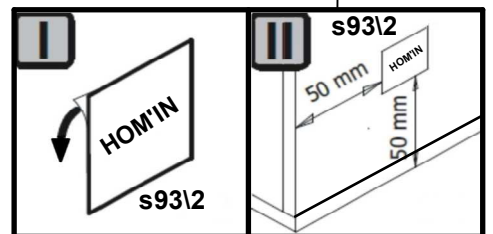
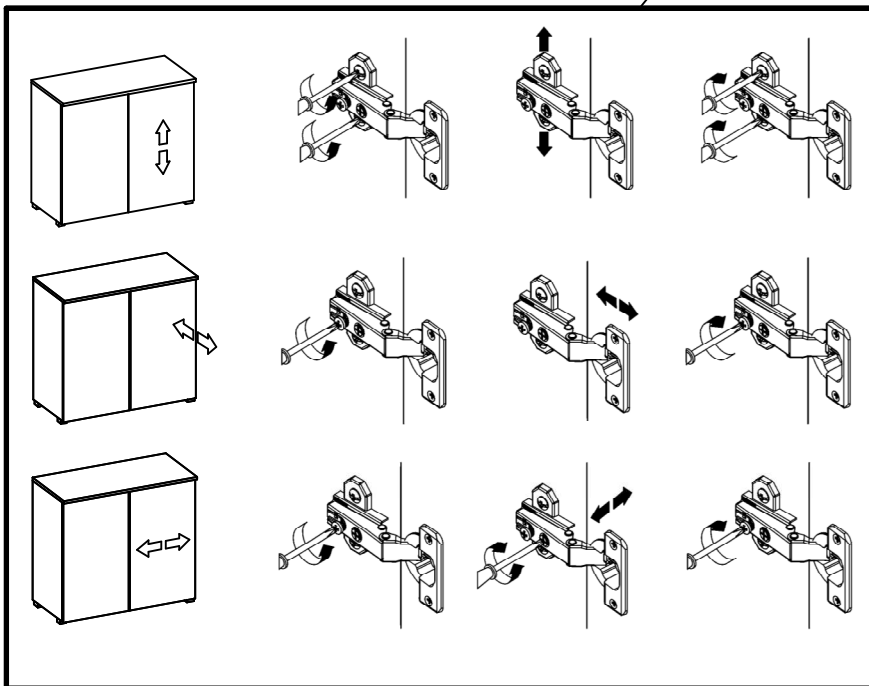
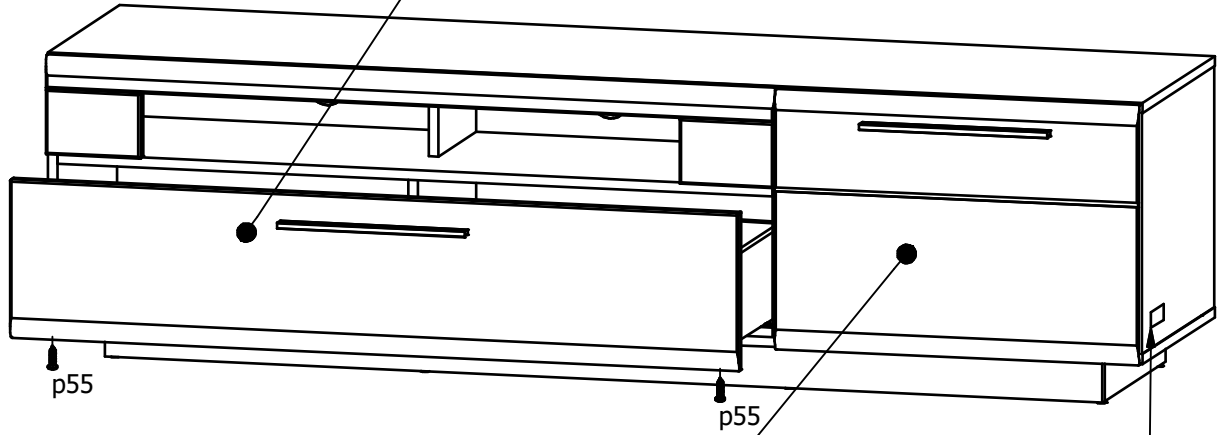
21 / 21

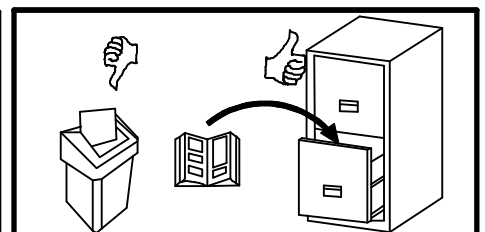
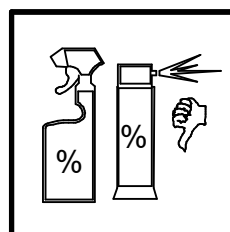
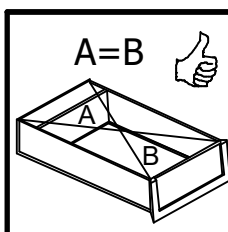
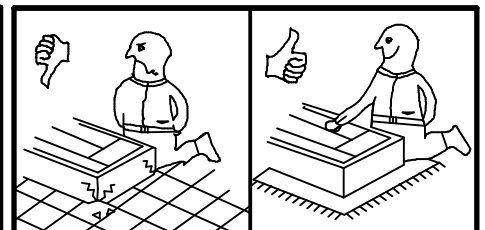
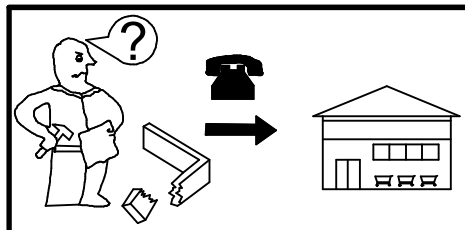
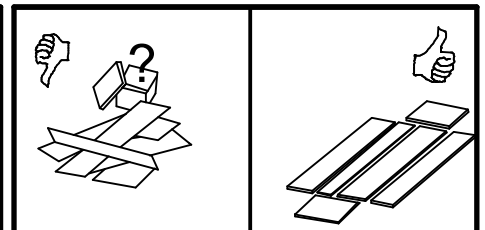
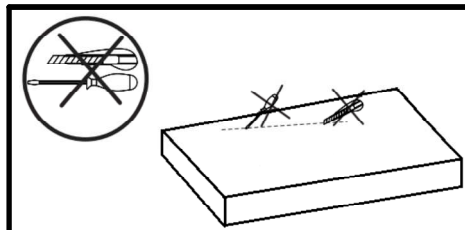
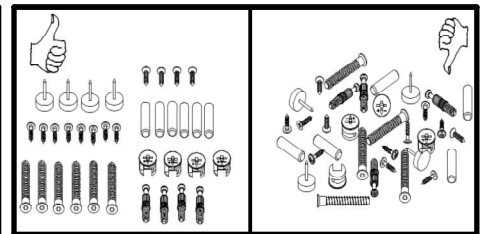
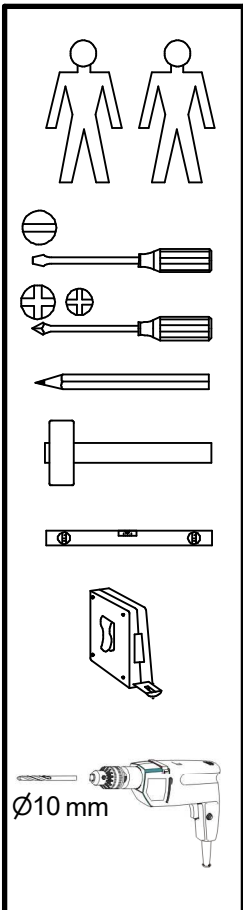
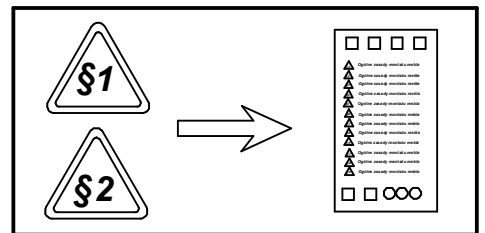
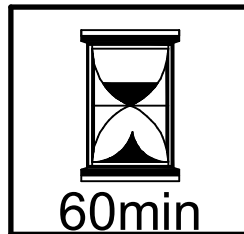
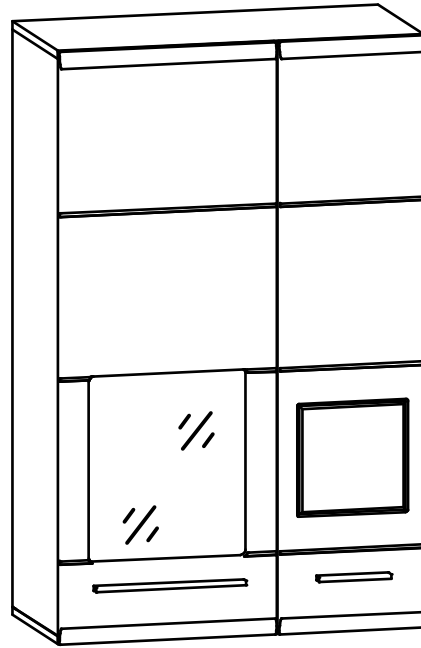
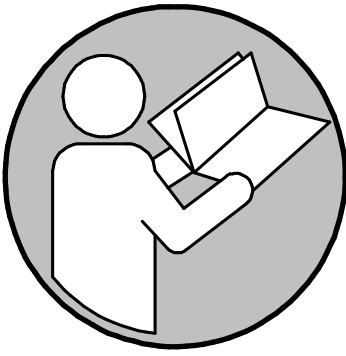
1x HOM'IN
s93|2

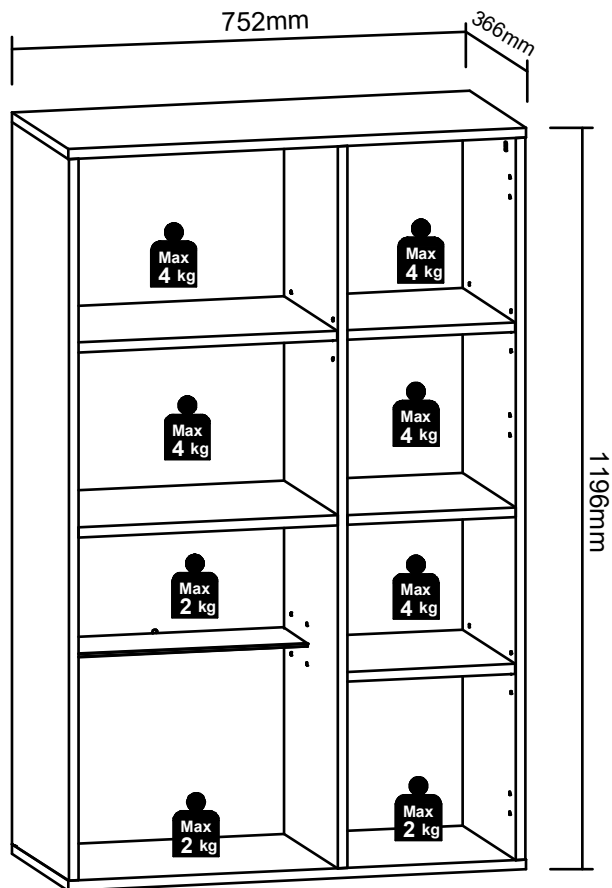
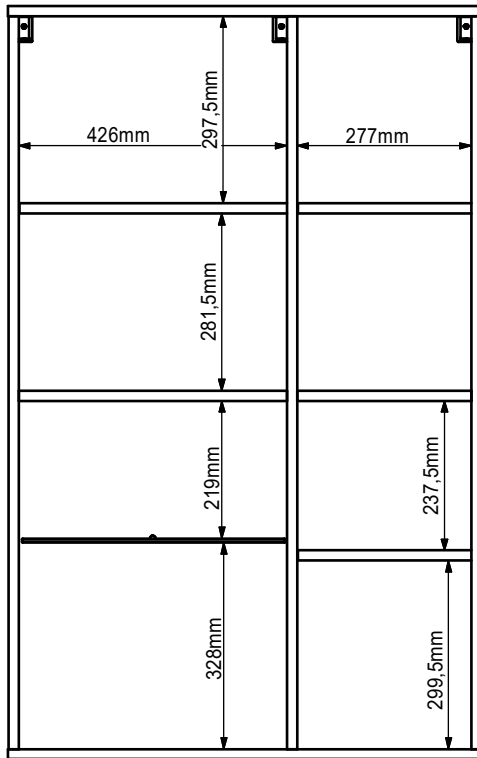
2x
p55
Ø2.9x16 mm

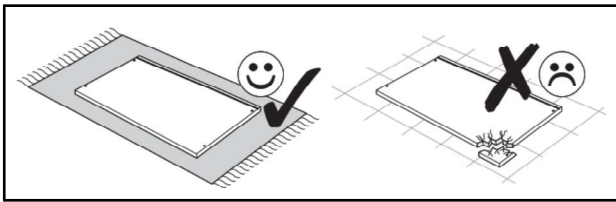


32

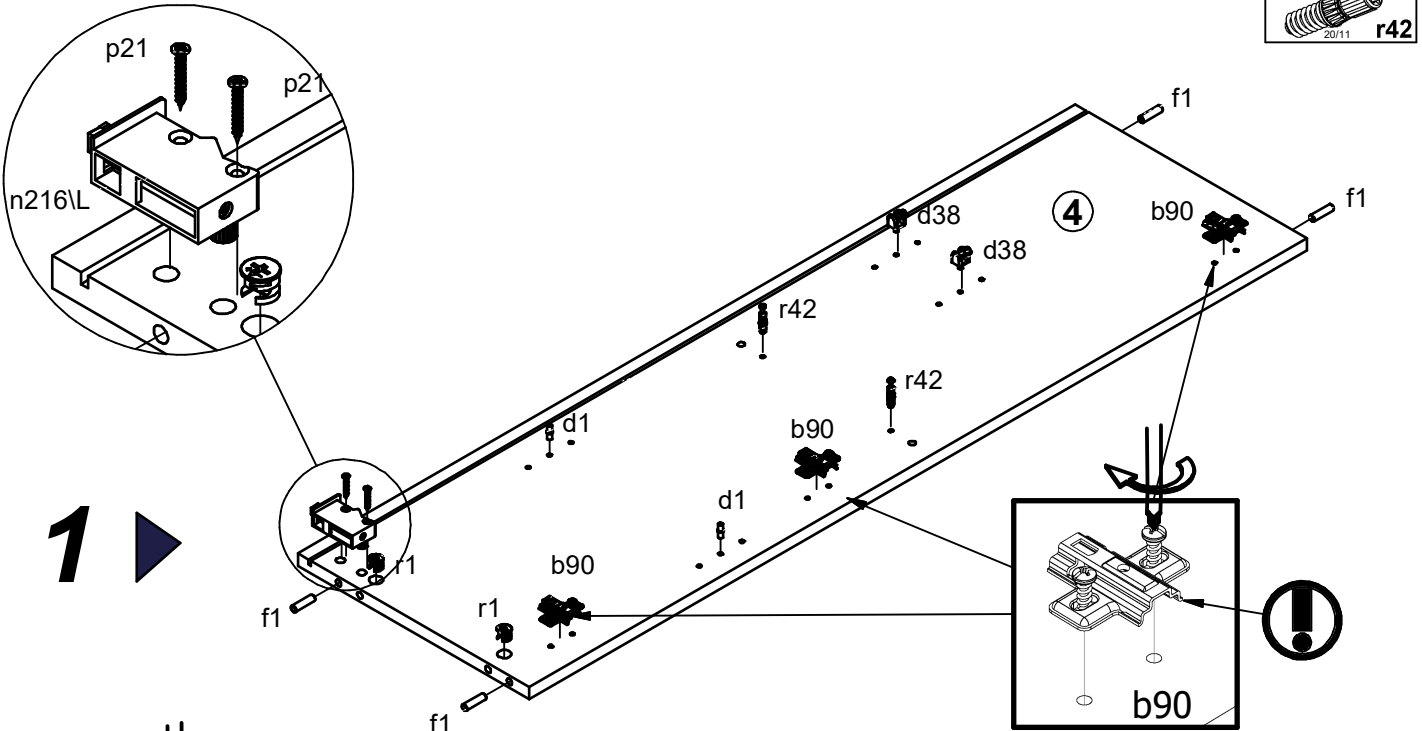




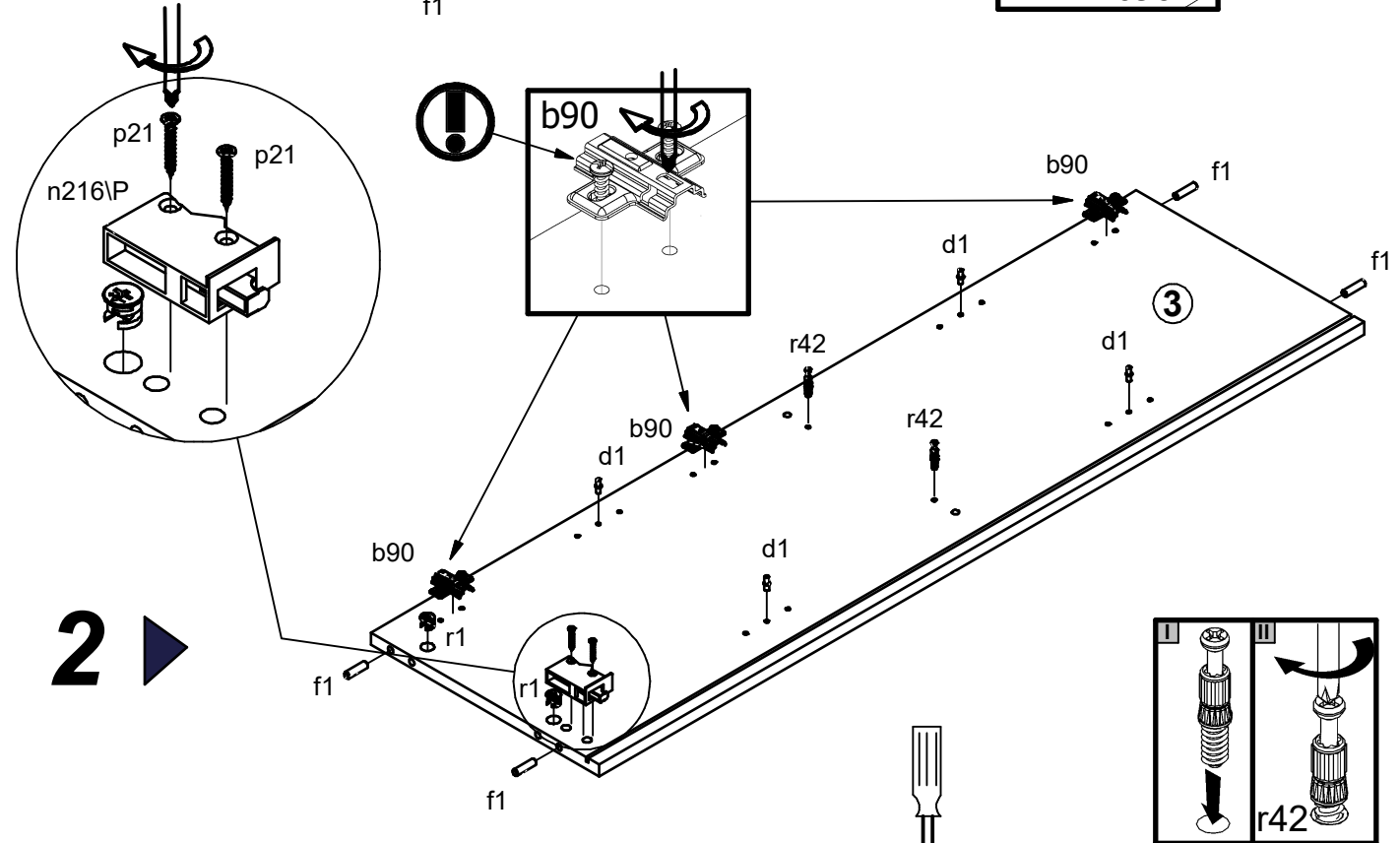




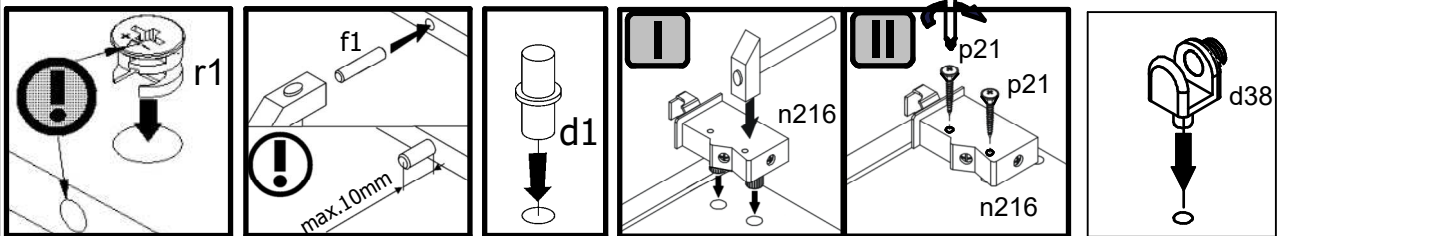
6x Ø5x17 mm d1	8x Ø8x30 mm f1	6x b90	4x Ø15x12 mm #16 r1
2x d38	4x Ø4x30 mm p21	1x n216\L	1x n216\P
			4x 20/11 r42

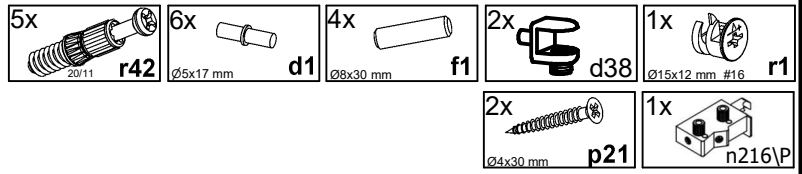
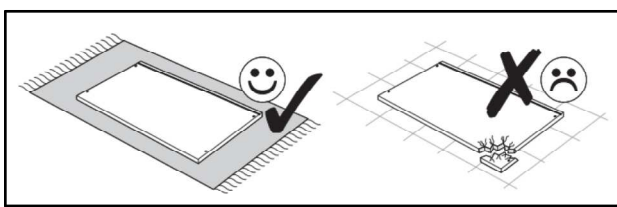


1

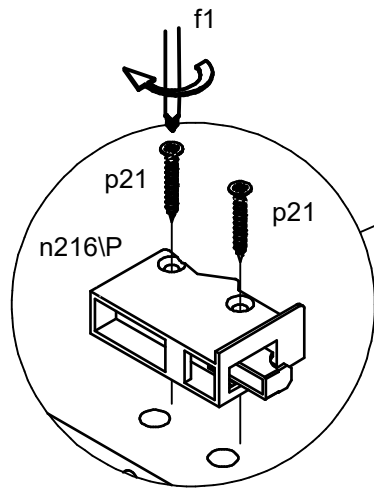
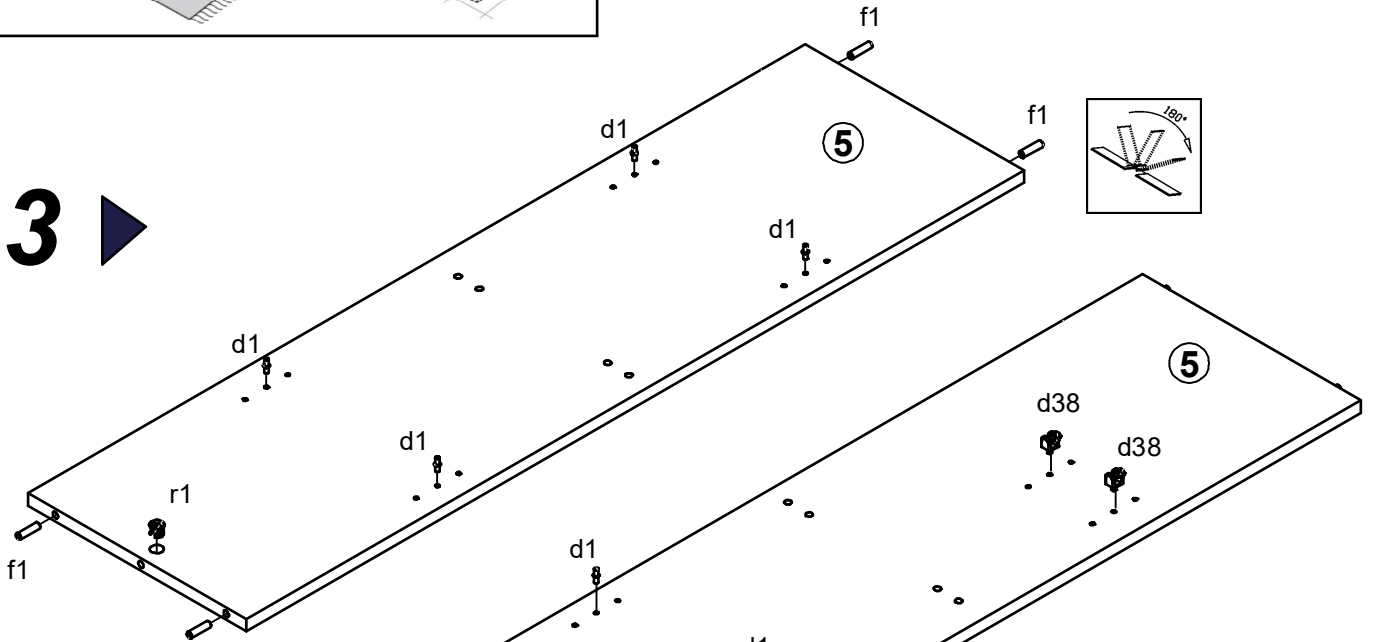


2

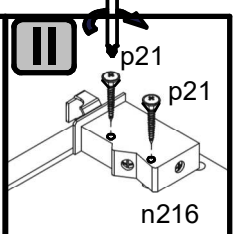
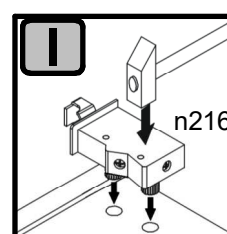
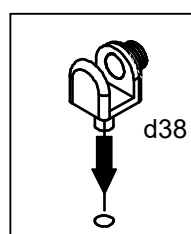
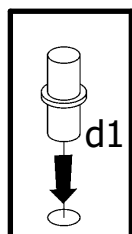
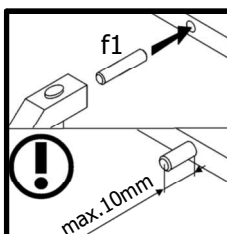
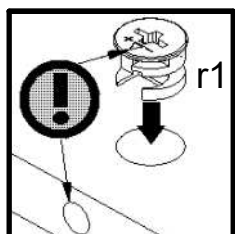
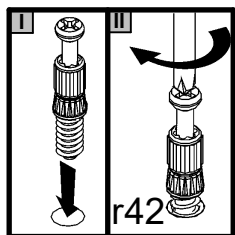
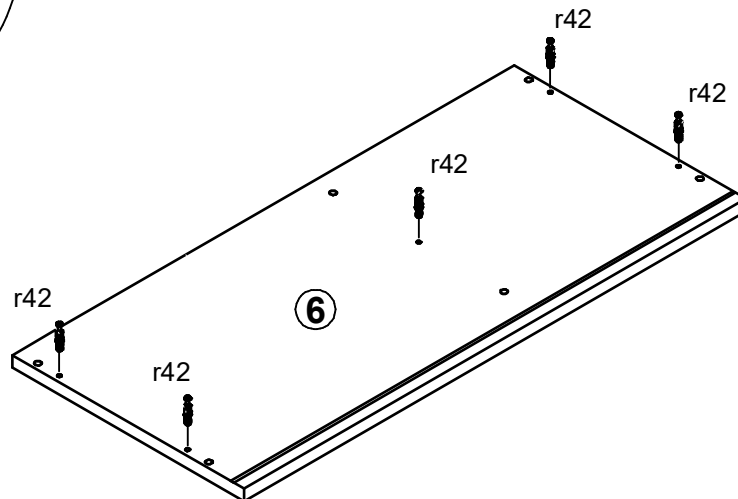


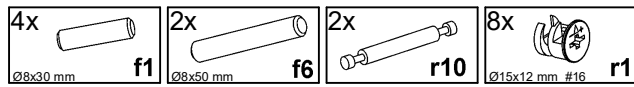
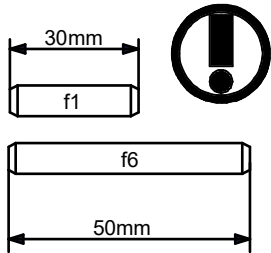


3 ▶

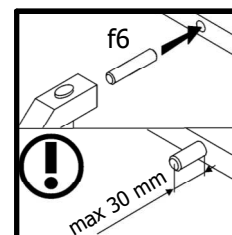
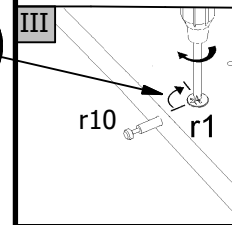
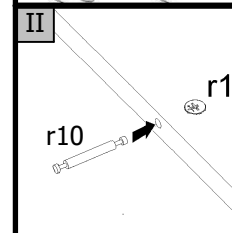
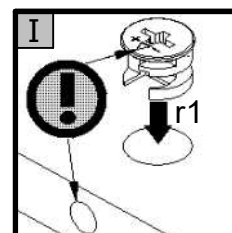
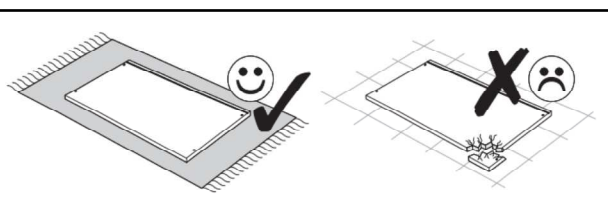
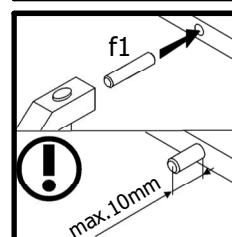
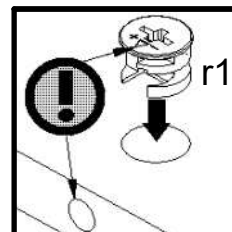
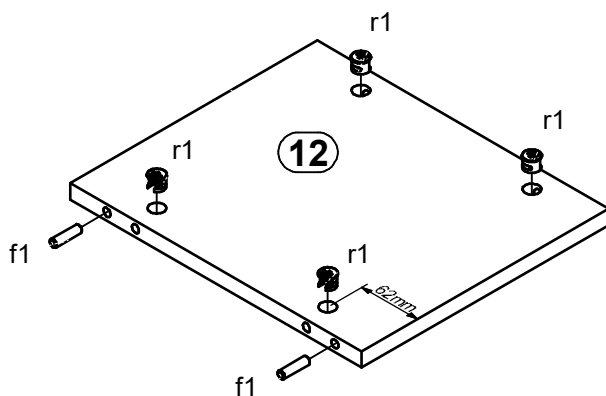


4 ▶

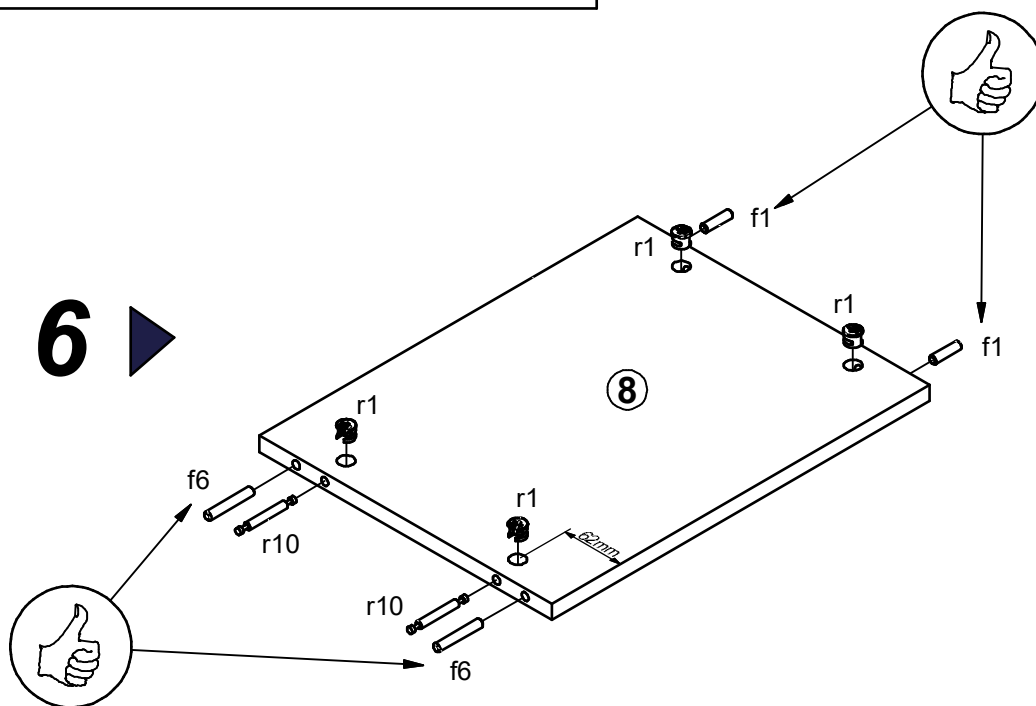




5 ▶

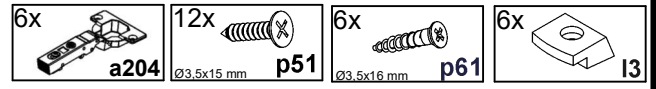
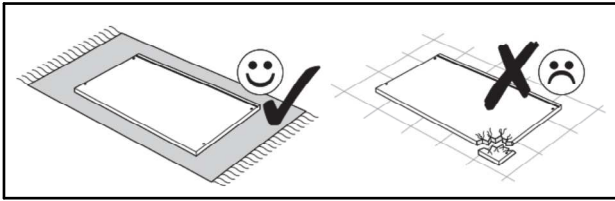
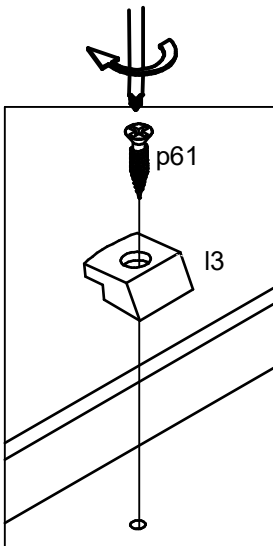
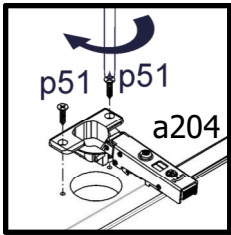
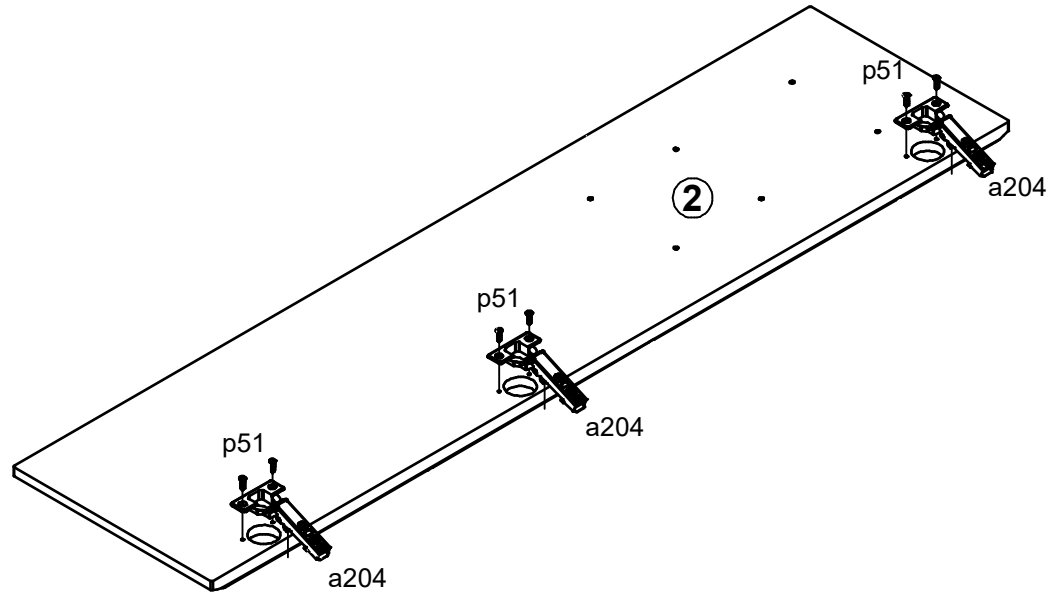
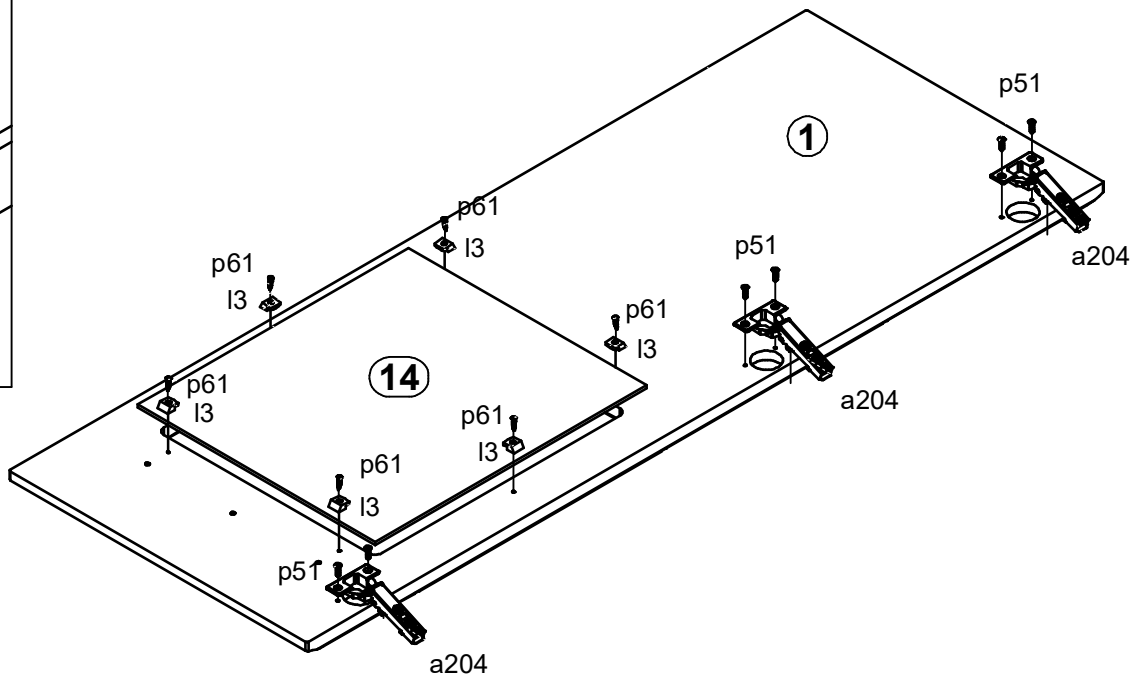


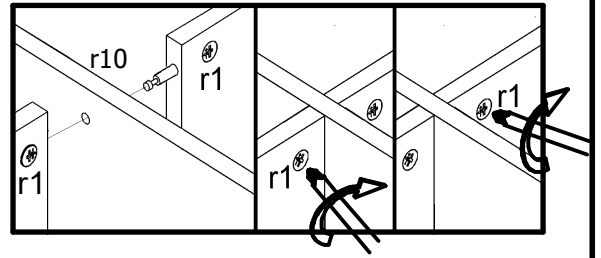
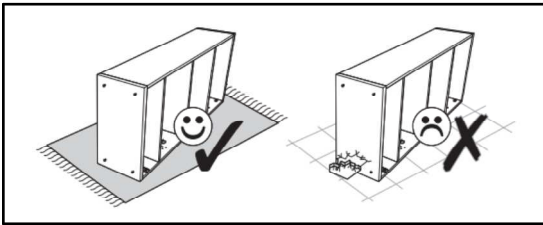
6 ▶



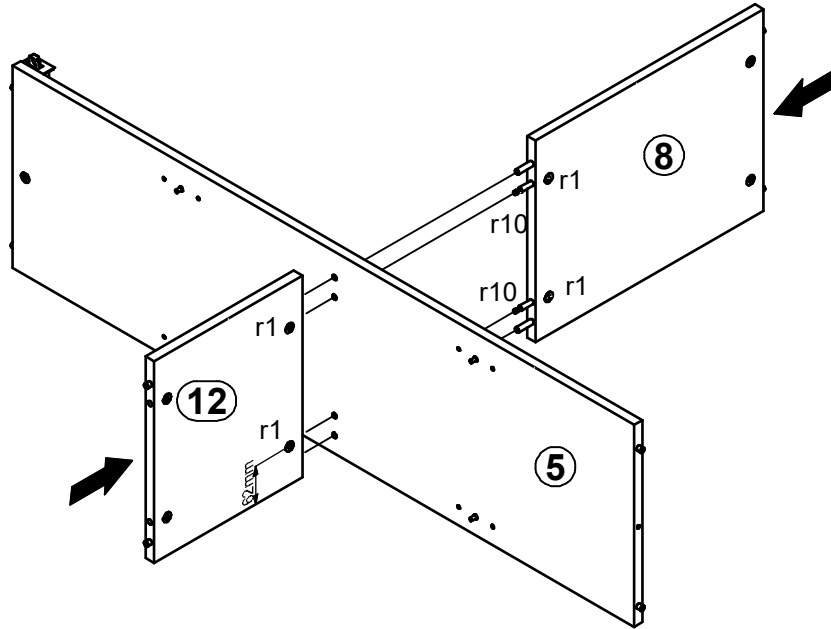
A**S577-SFW1W1D****1BE6--10**

7 / 17

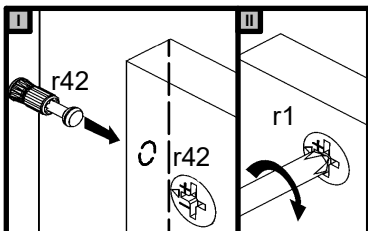
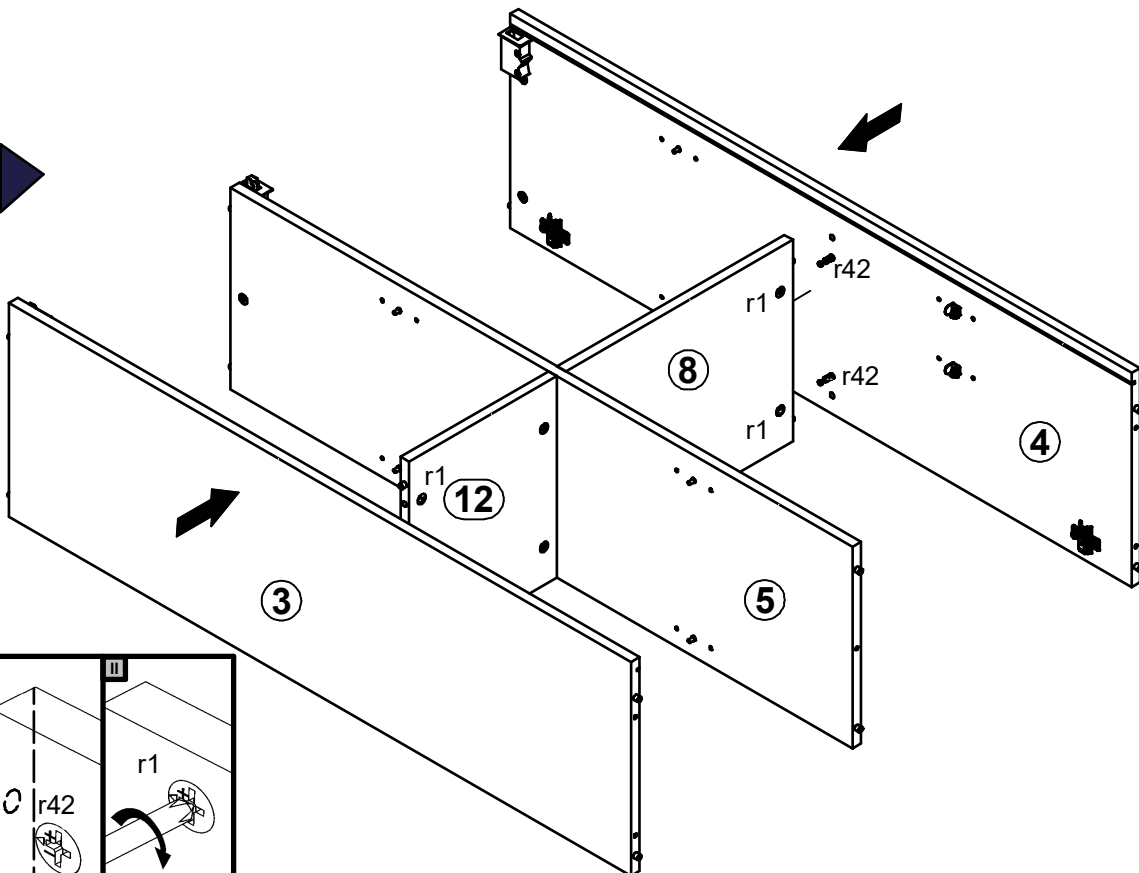
**7** ▶**8** ▶

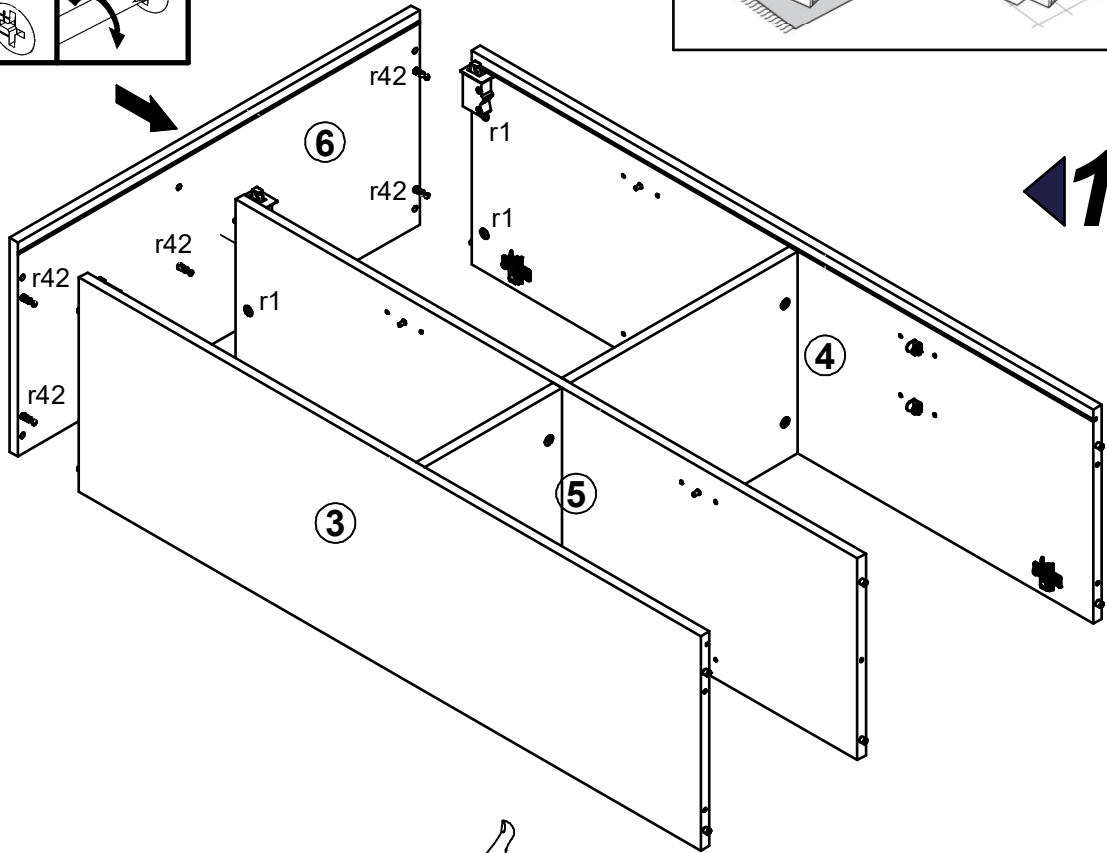
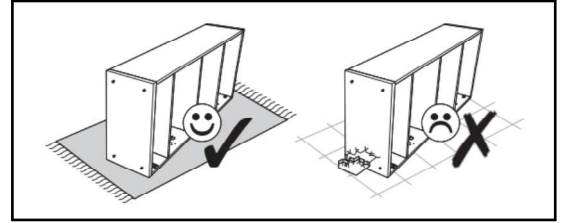
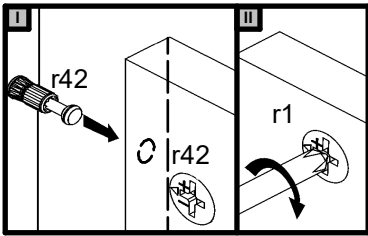


9

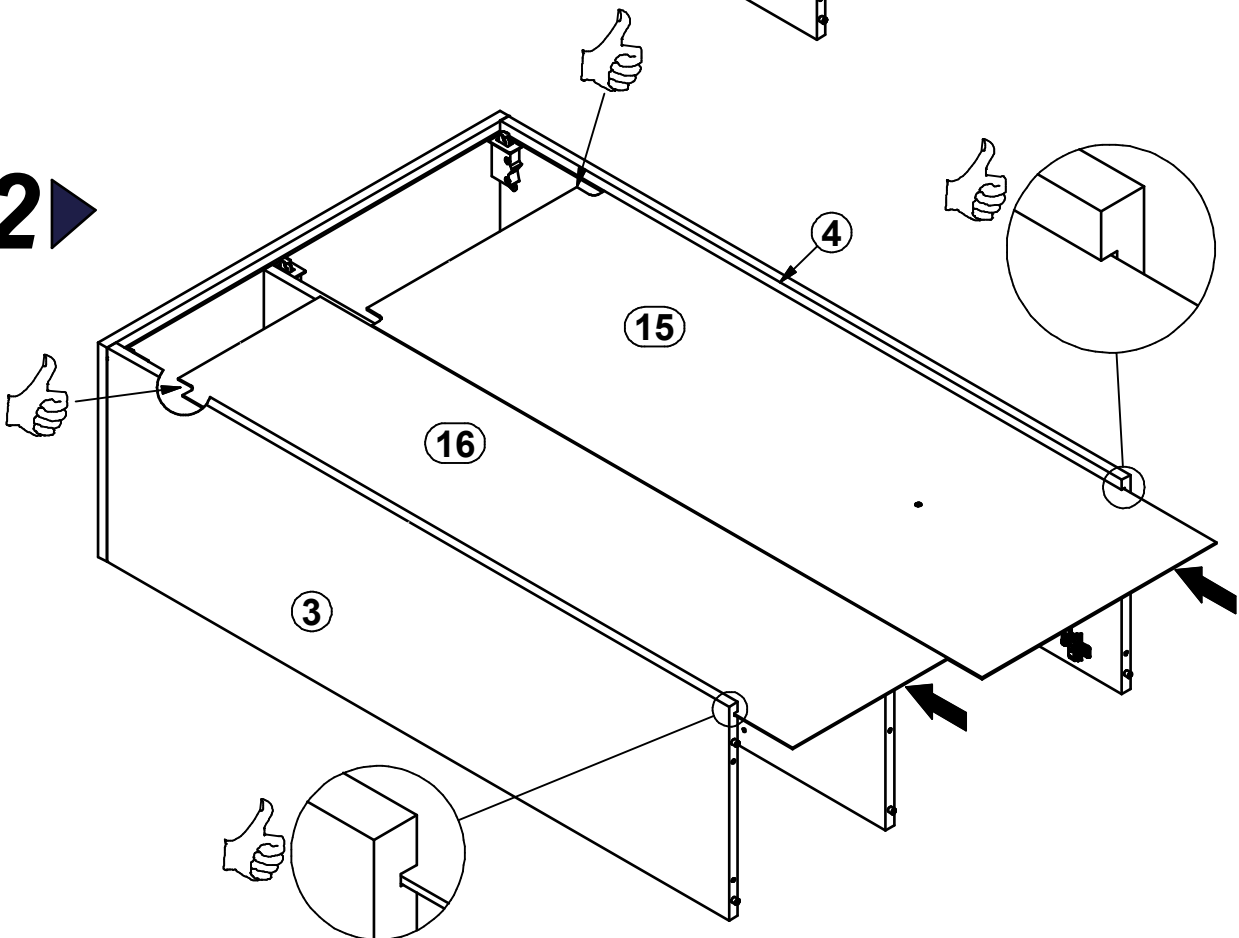


10



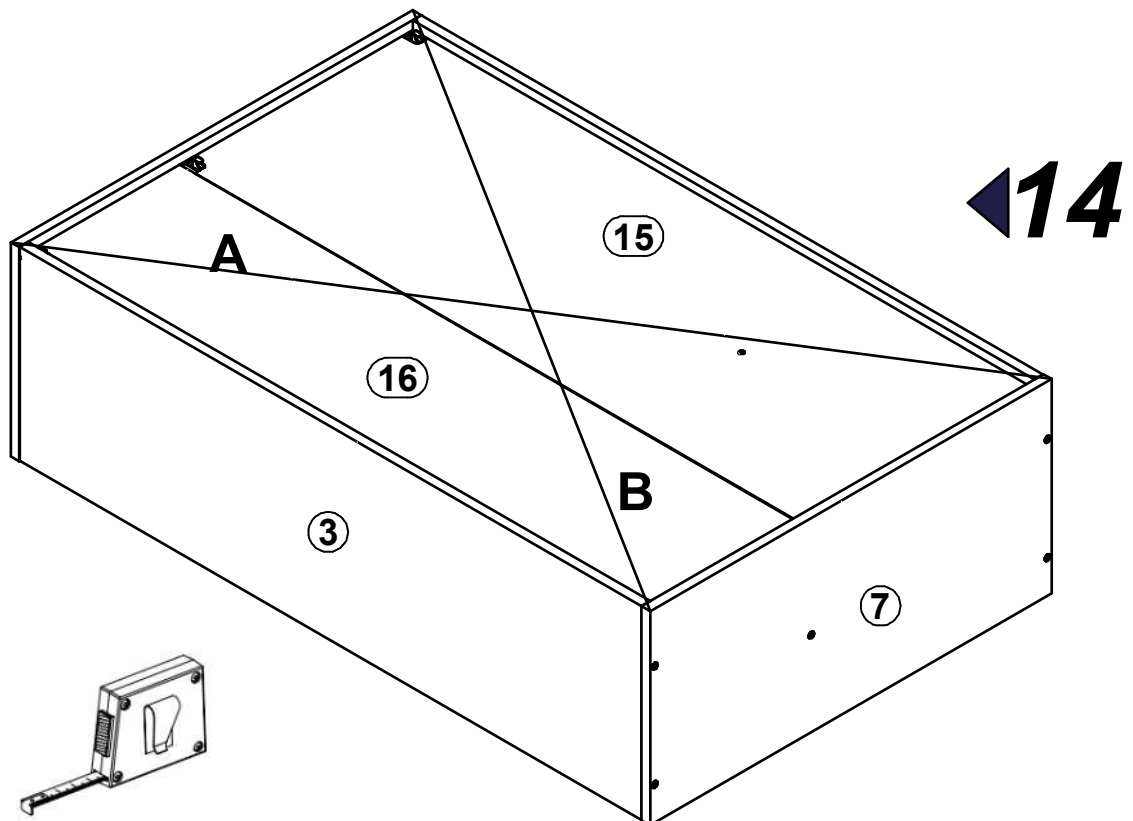
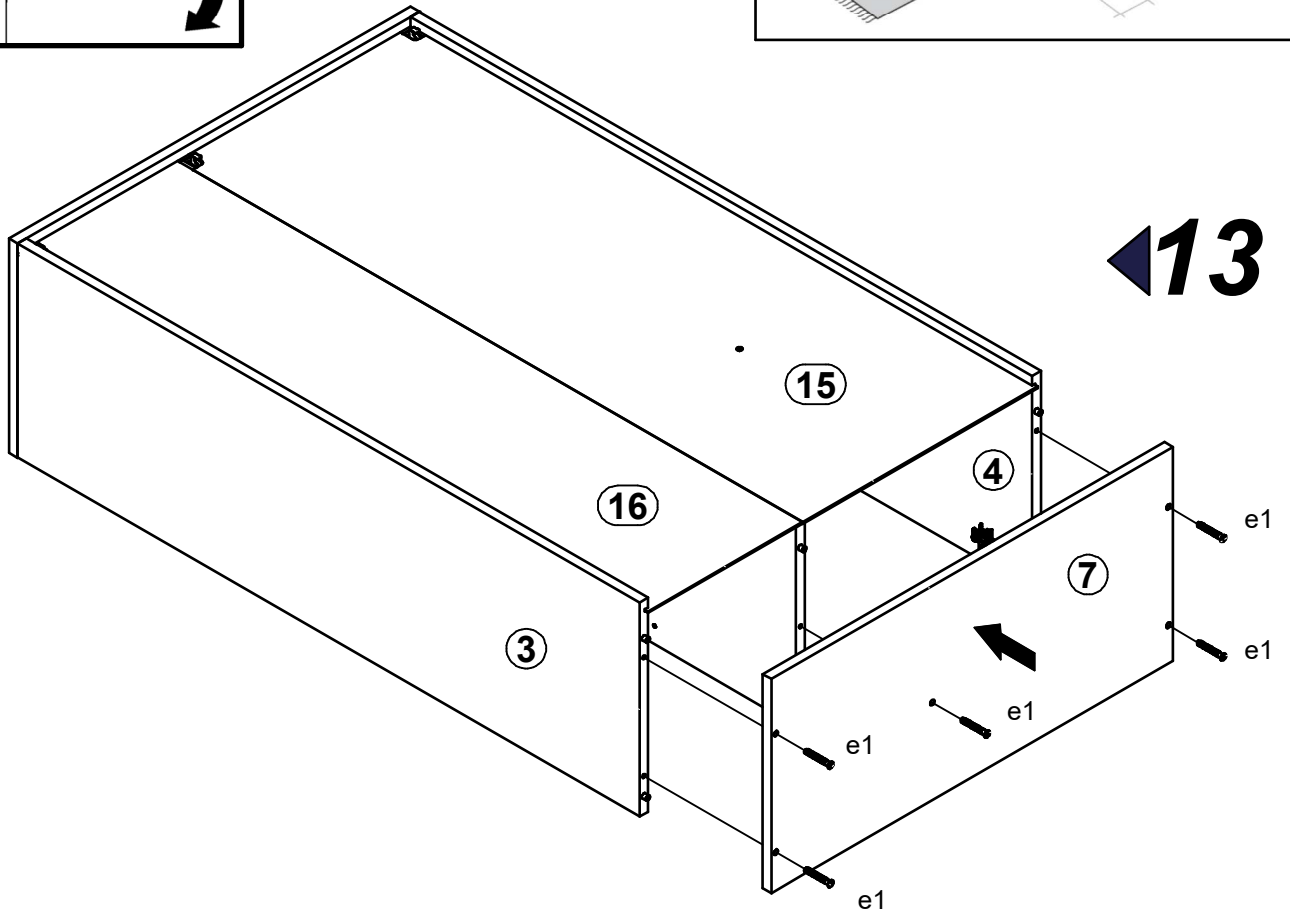
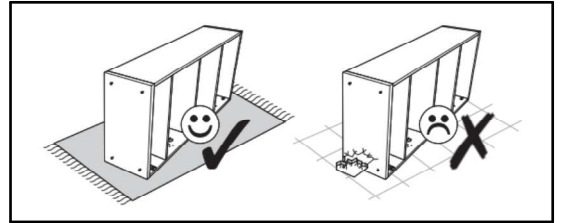
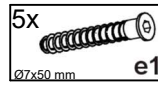
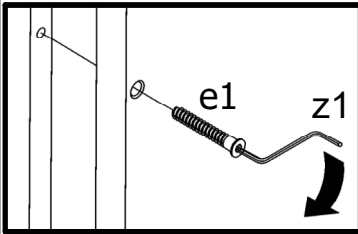


12▶

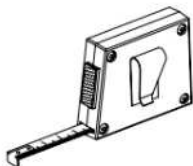


A**S577-SFW1W1D****1BE6--10**

10 / 17



!
A=B

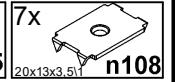
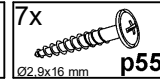
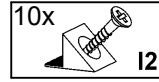
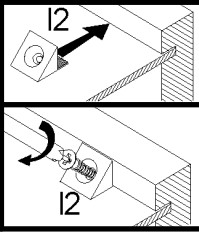
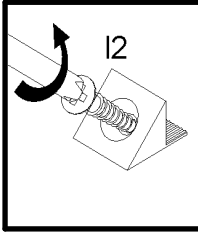
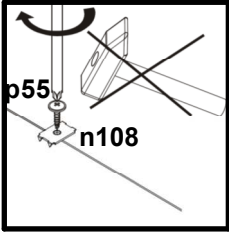


A

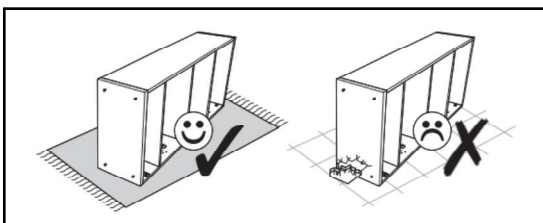
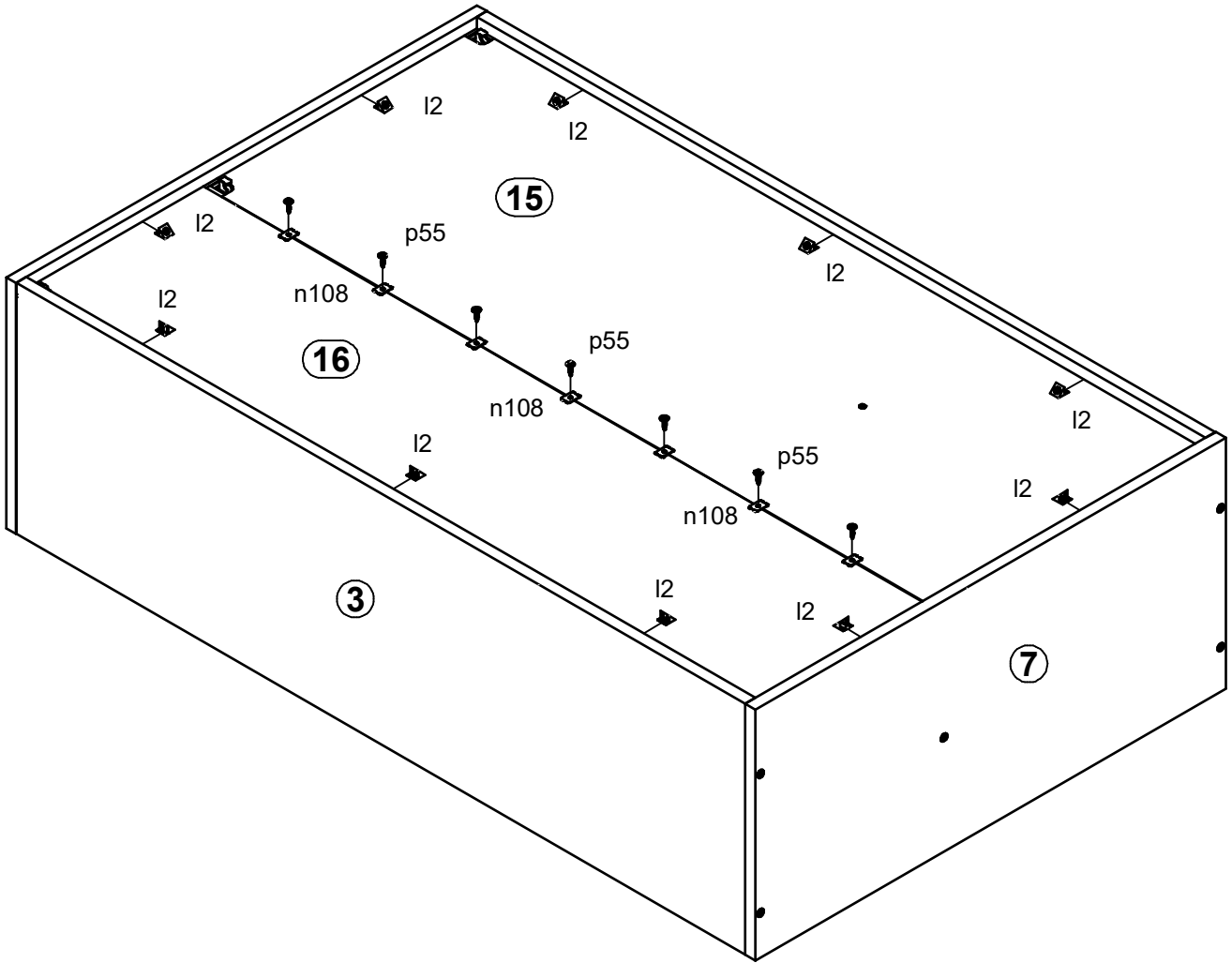
S577-SFW1W1D

1BE6--10

11 / 17



15

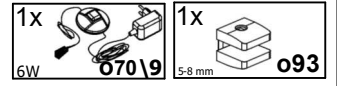
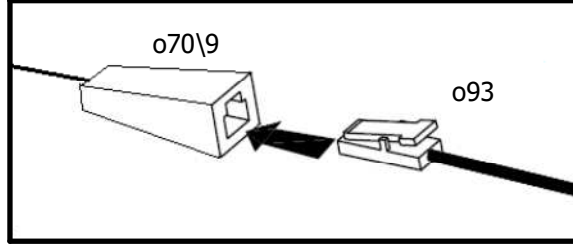
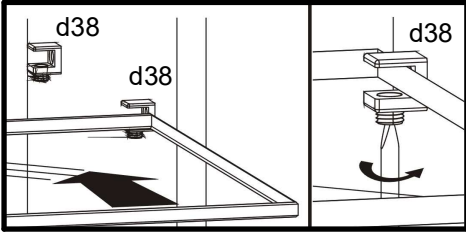


A

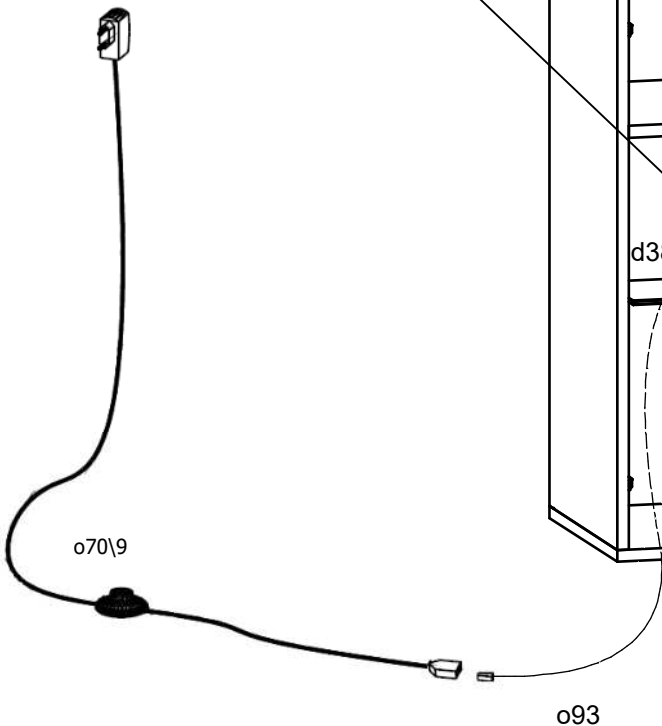
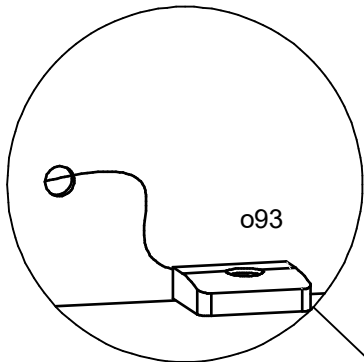
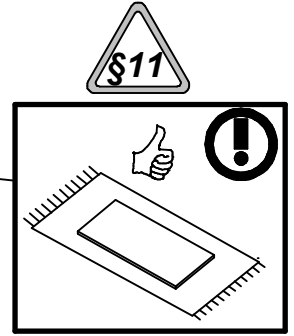
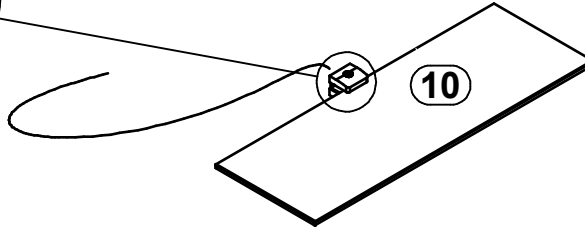
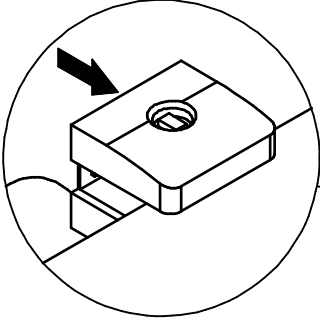
S577-SFW1W1D

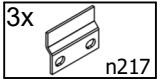
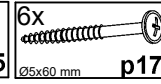
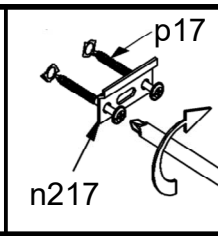
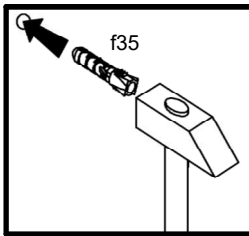
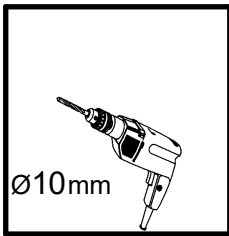
1BE6--10

12 / 17

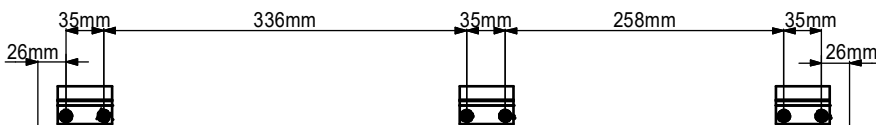
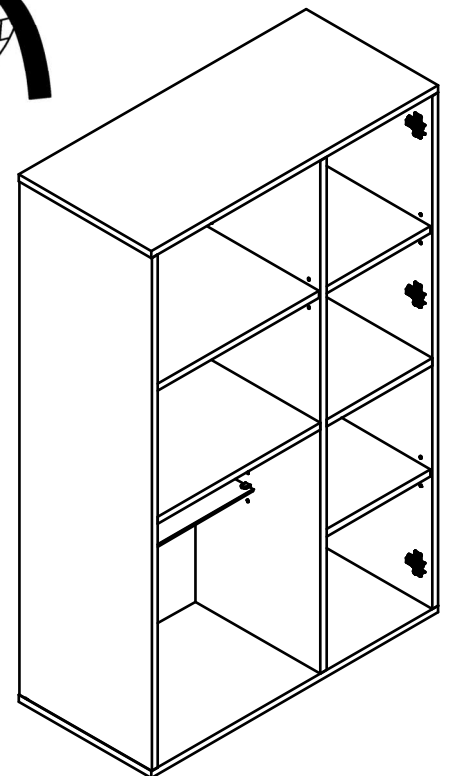
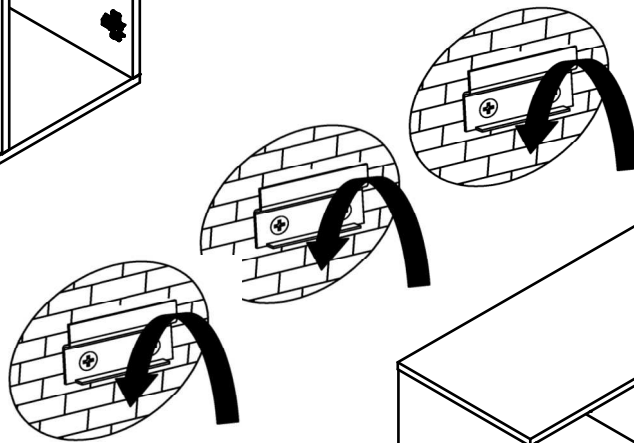
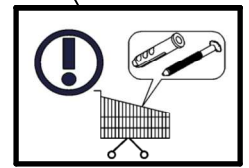
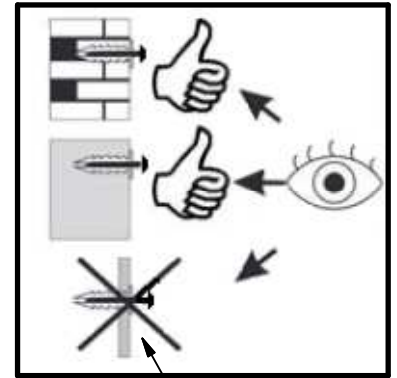
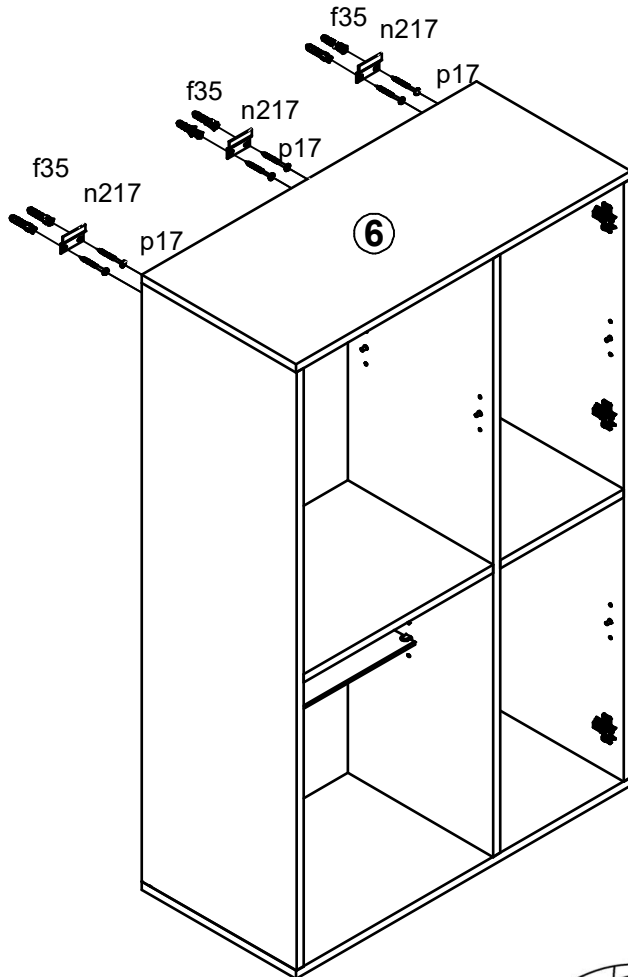


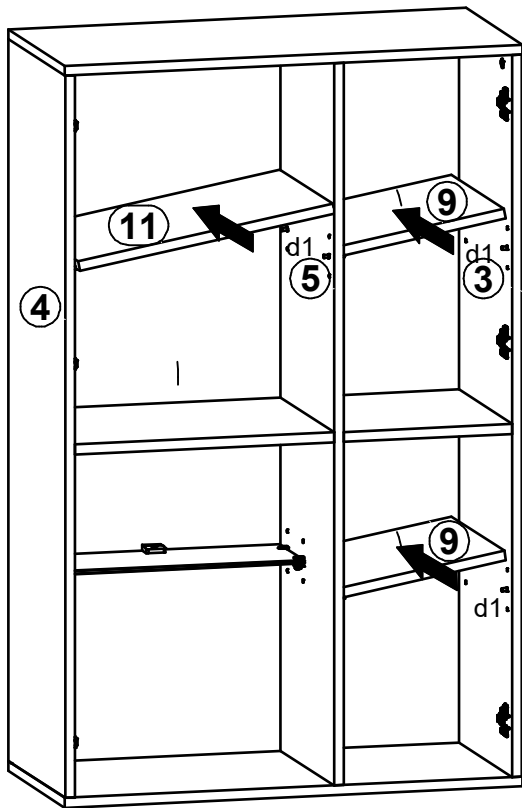
16



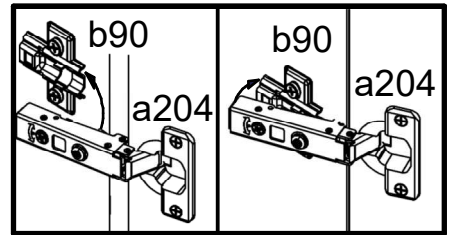
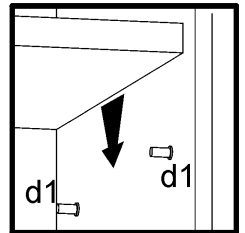


17

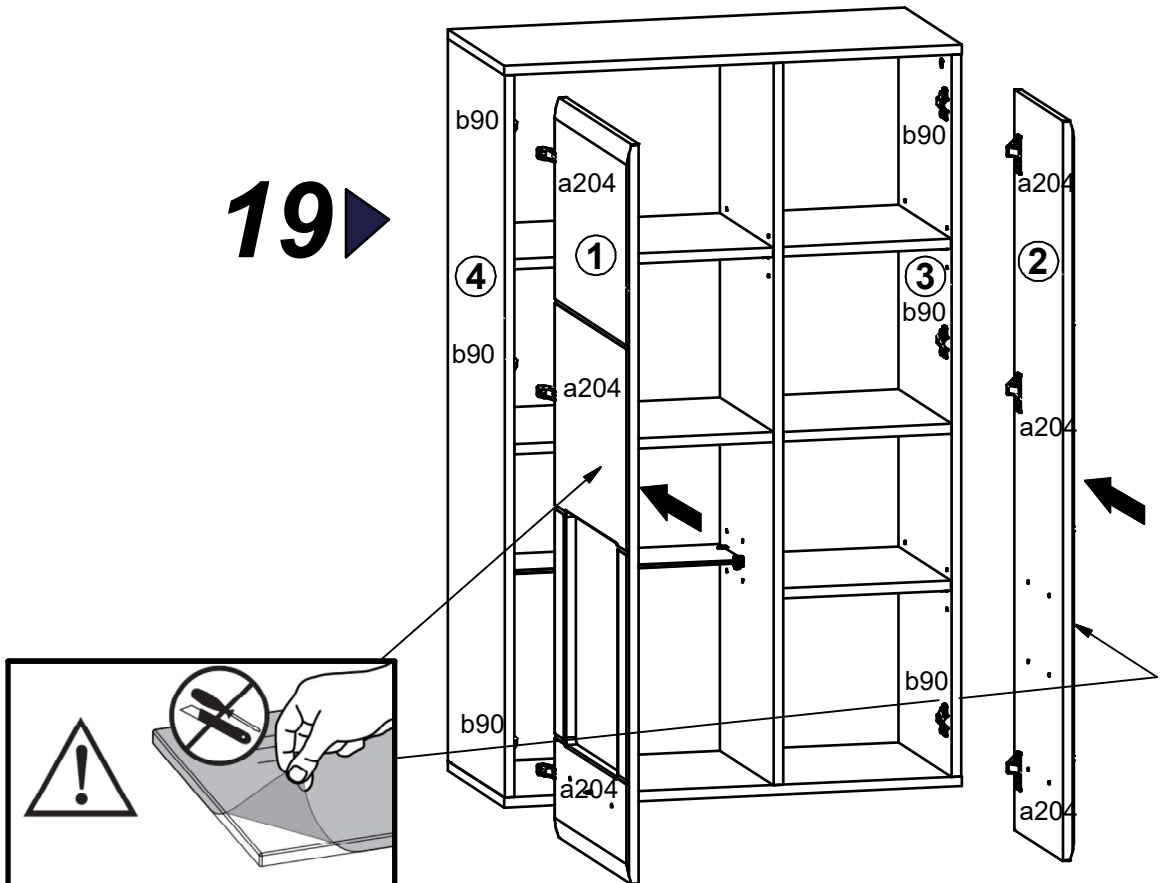




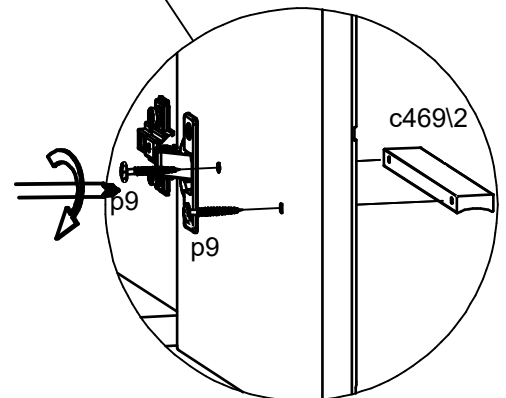
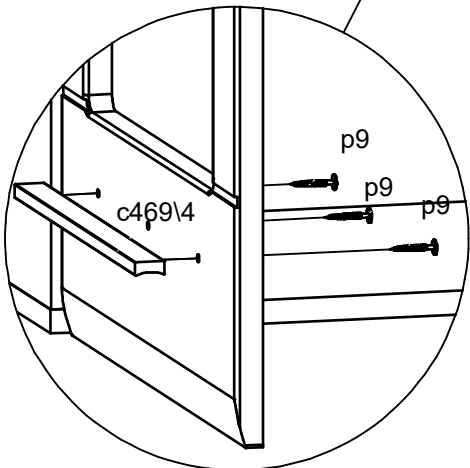
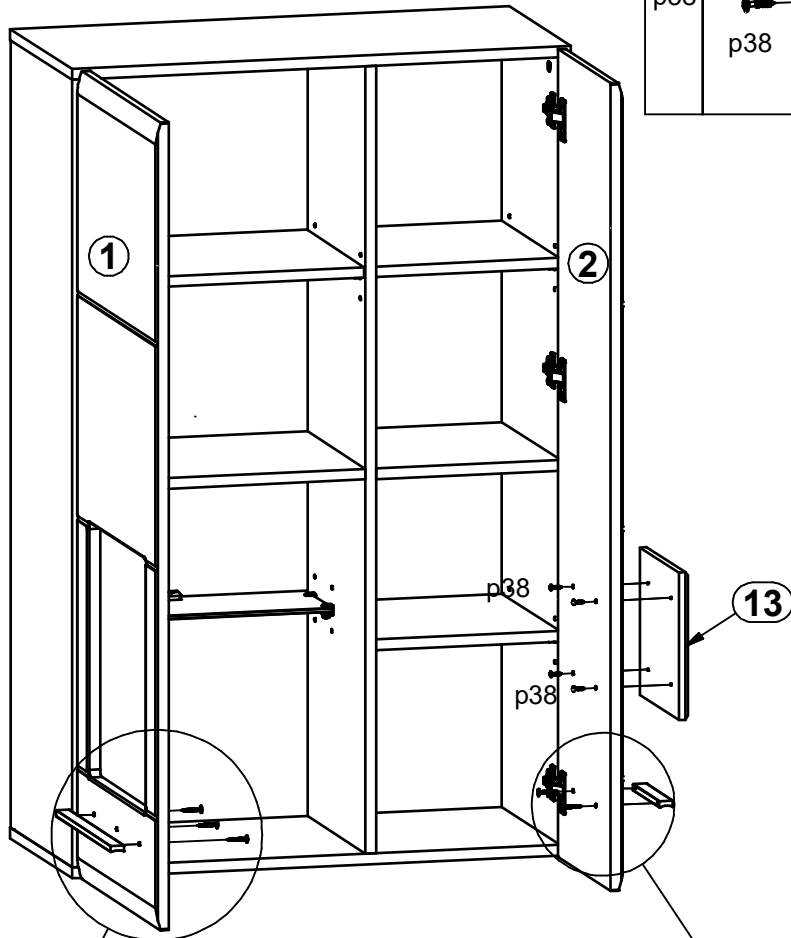
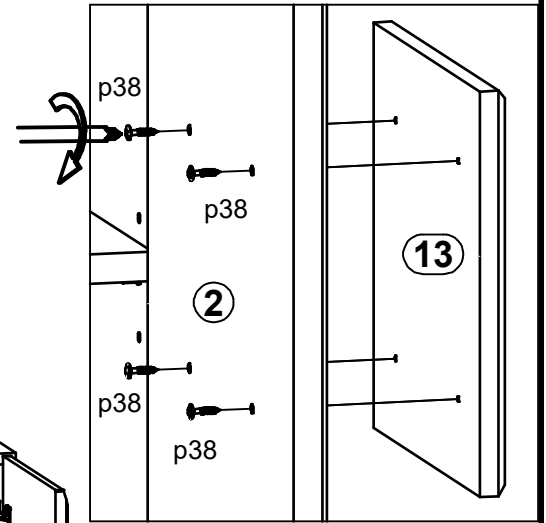
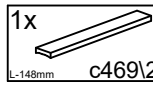
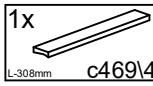
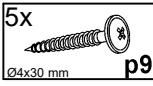
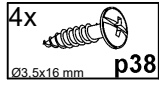
18

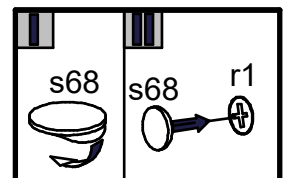
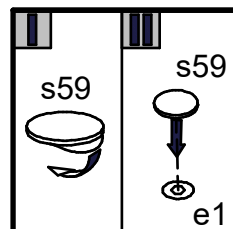
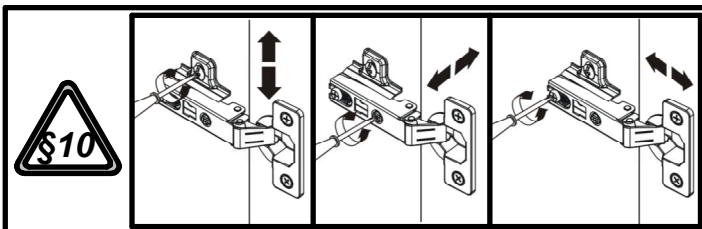
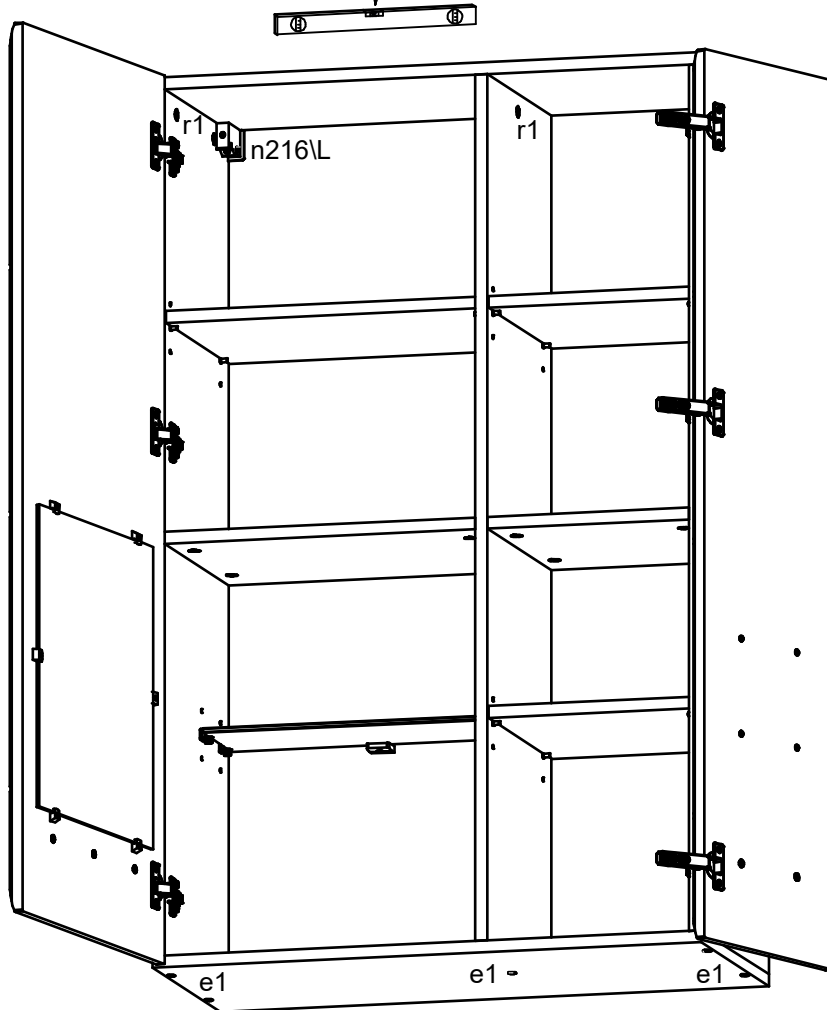
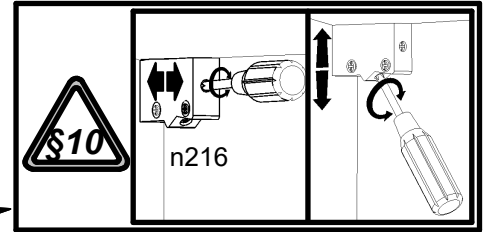
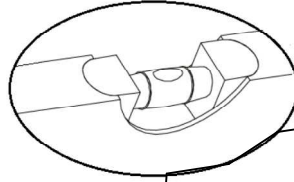
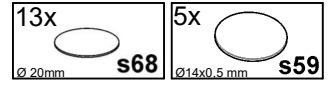


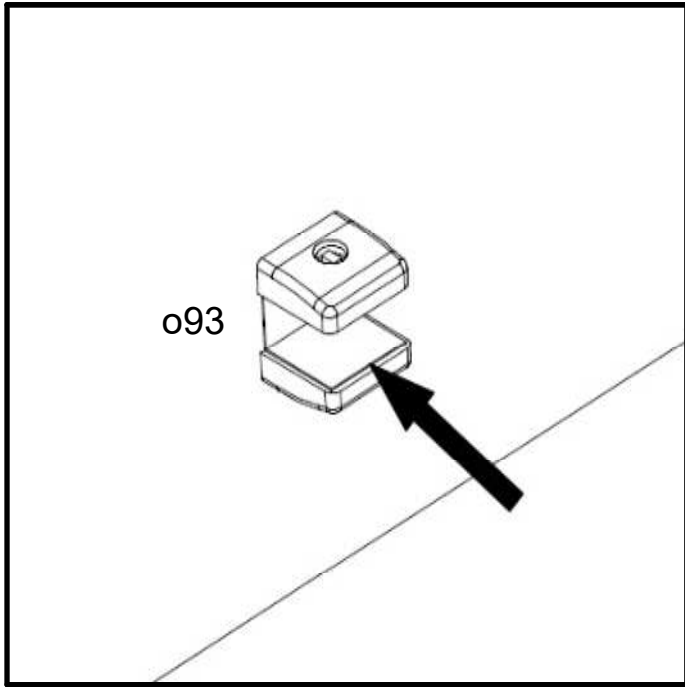
19



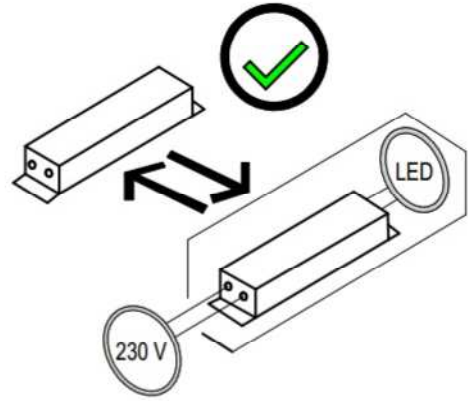
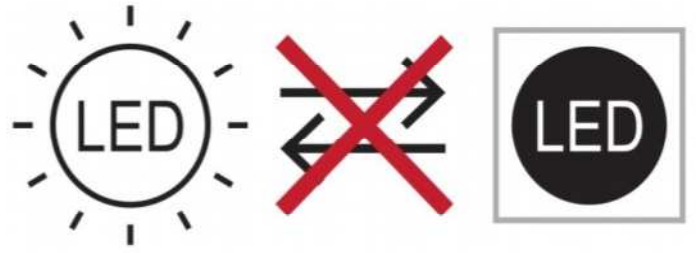
20

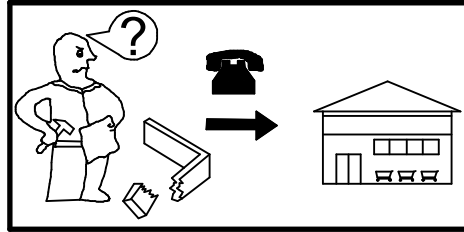
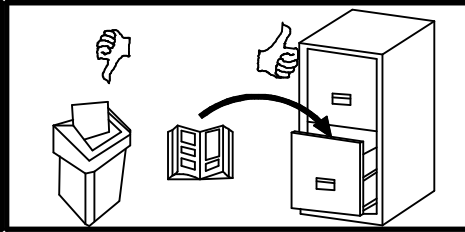
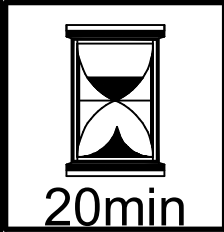
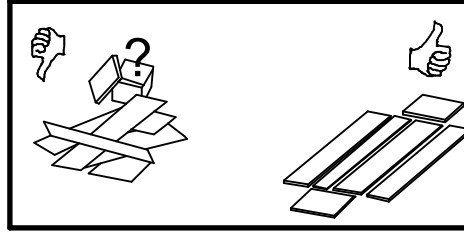
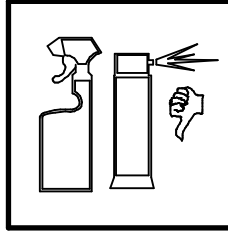
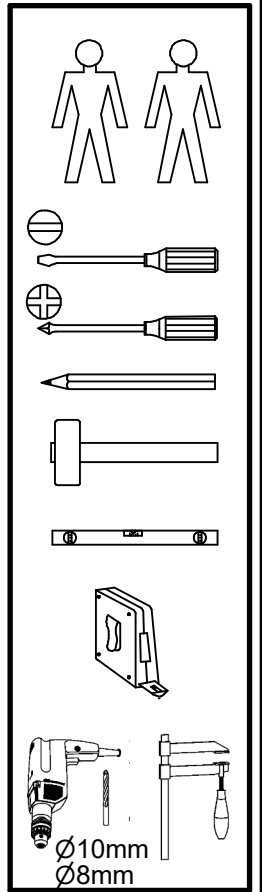
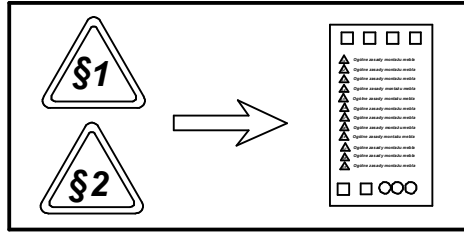






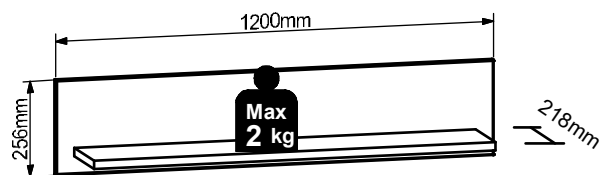
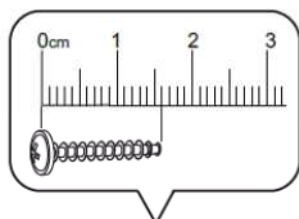
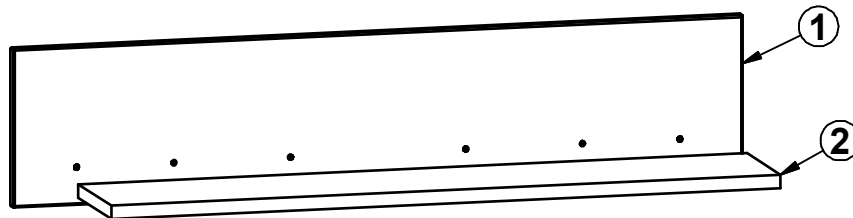
LED ZETA S 3S







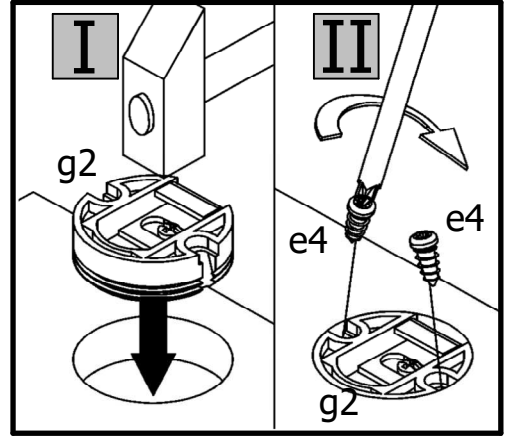


4x Ø5x11 mm e4	4x Ø7x60 mm e8	2x Ø8x30 mm f1	2x Ø10x50 mm f35	2x g2
2x Ø6x60 mm p75	1x Ø12x0,5 mm s59	6x Ø12,7x1,8 mm s104	1x z1	

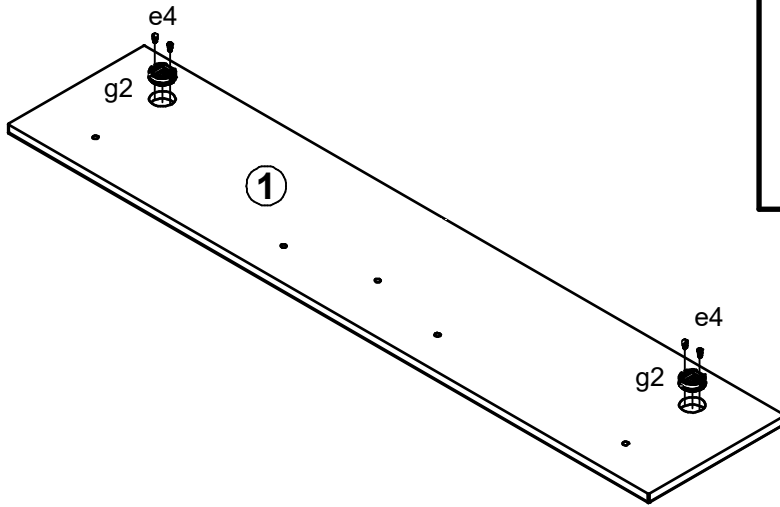
A	B1	B2	C1	C2	C3	D
1	S577-4502	-7	1200	256	16	1/1
2	S577-3015	-6	1100	202	22	1/1



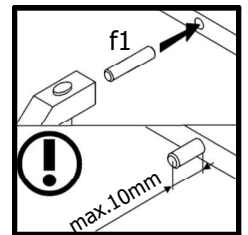
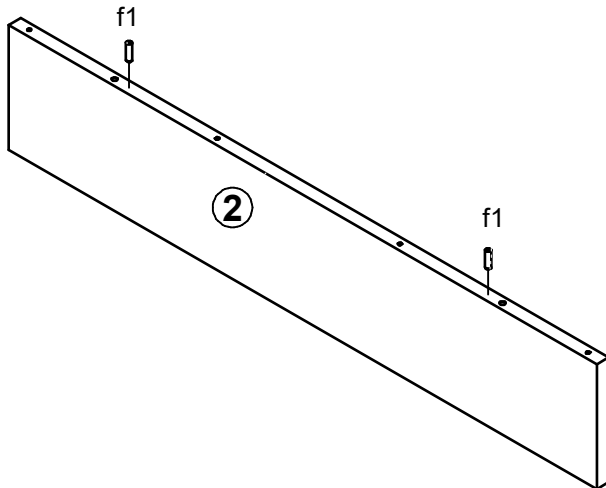
2x  g2	4x  e4 Ø5x11 mm	2x  f1 Ø8x30 mm	4x  e8 Ø7x60 mm
---	---	---	---



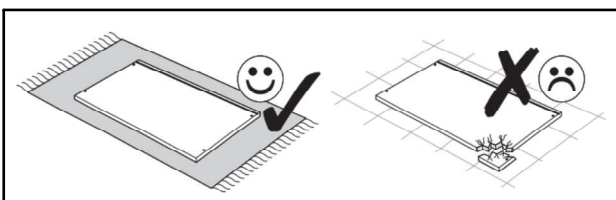
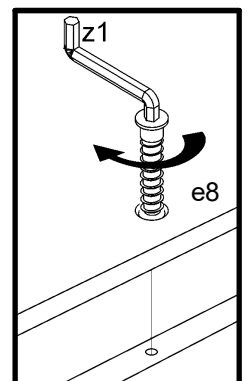
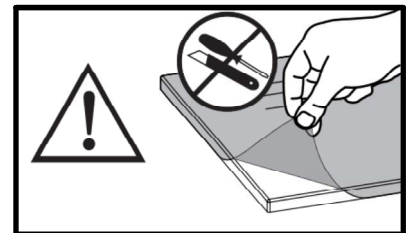
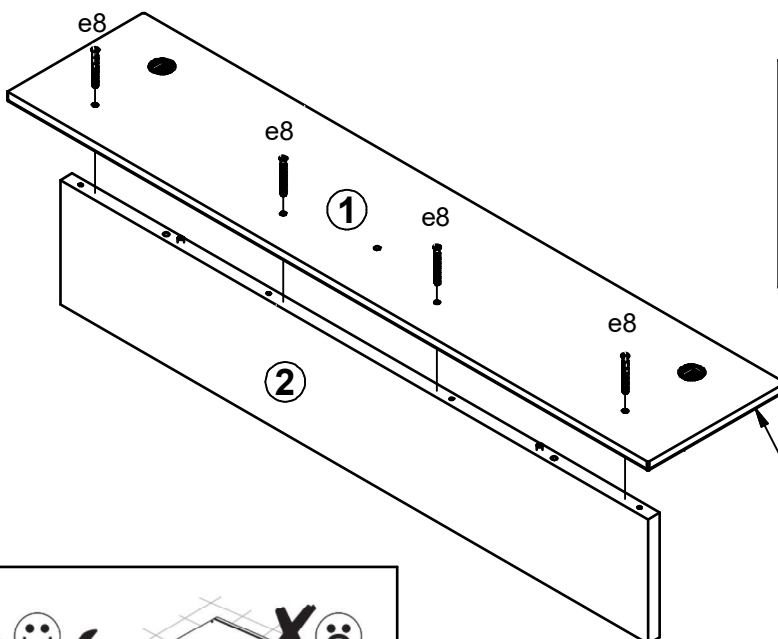
1

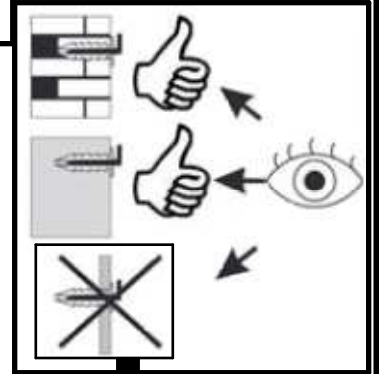
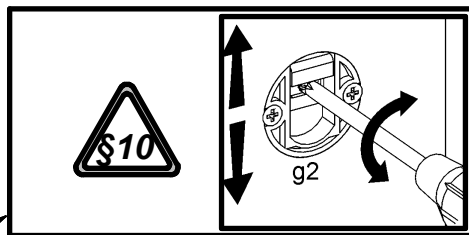
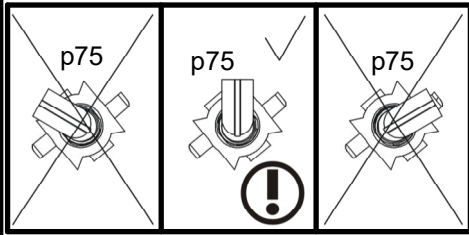
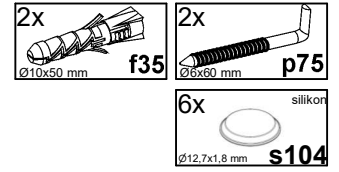
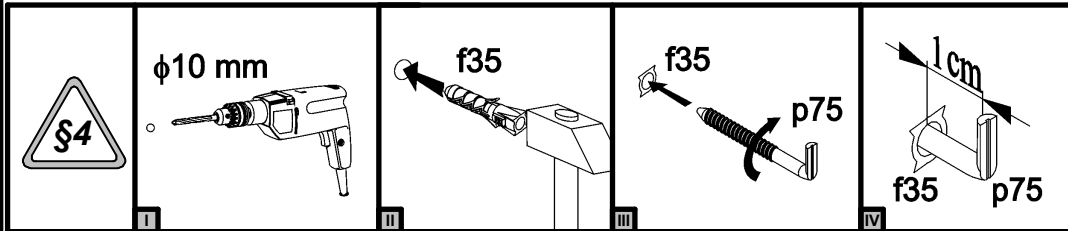


2



3



A**S577-POL_II****1BE6--40****3 / 4****4**