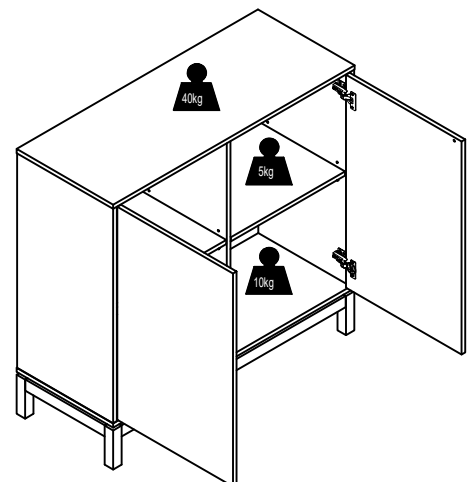
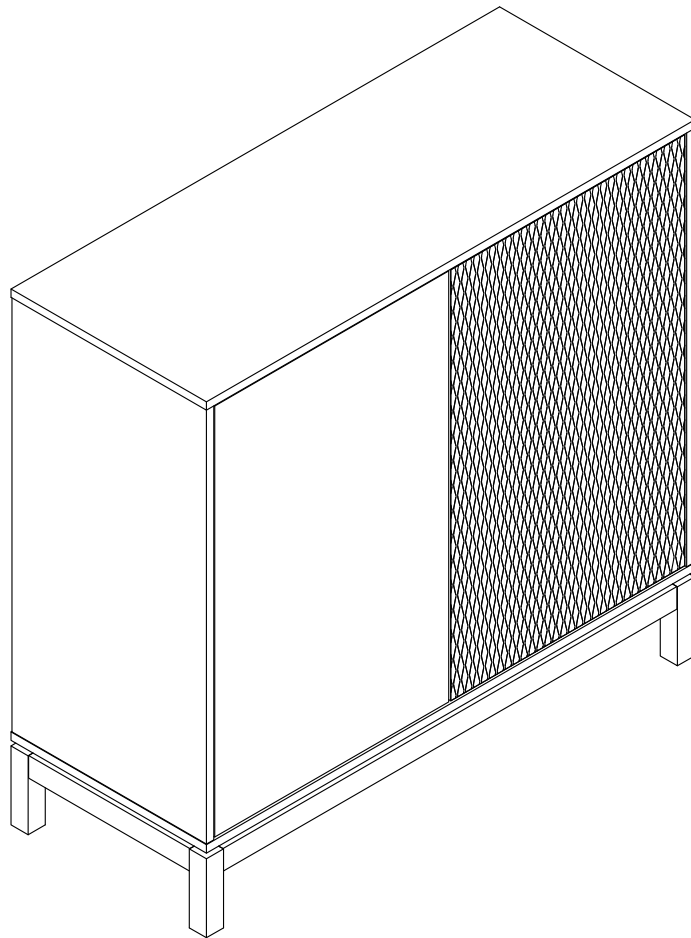
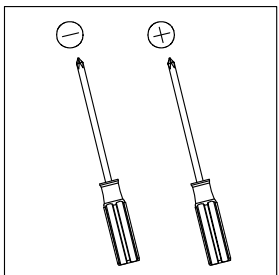
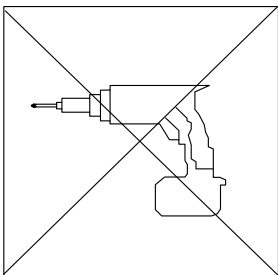
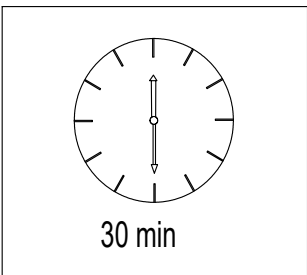
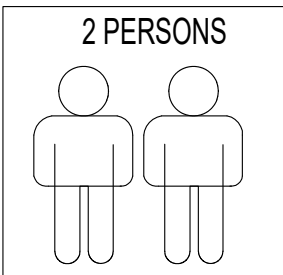
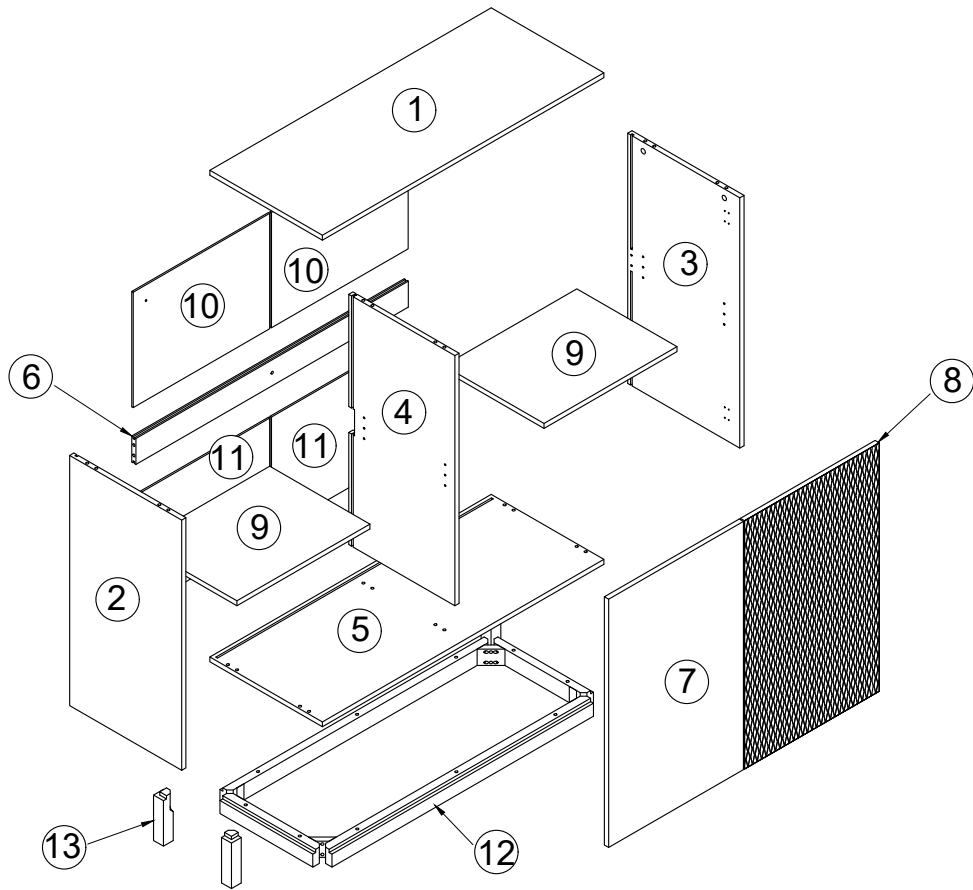


HANOI

69968

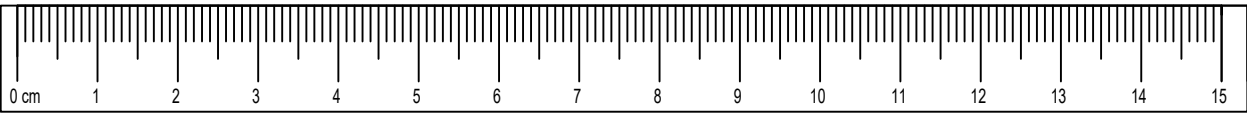




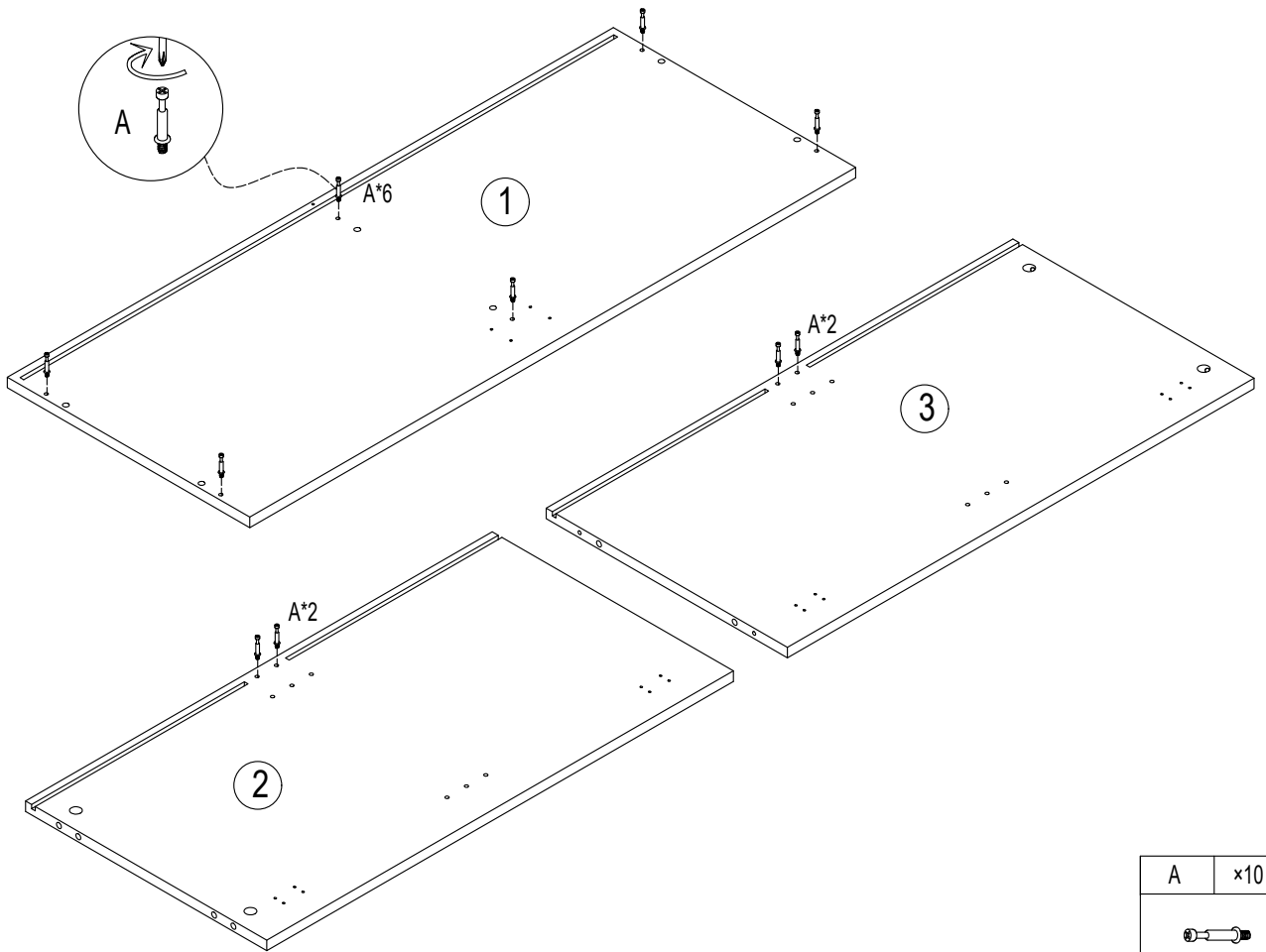
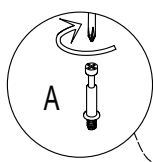
A	x10	B	x10	C	x12	D	x10	E	x10	F	x8	G	x7	H	x1
M6*35mm	Ø15*11mm	Ø8*30mm	Ø20mm	M6*50mm	Ø13mm	M7*50mm	M4								

I	x46	J	x16	K	x2	L	x2	M	x2	N	x4	O	x4	P	x2
M3.5*14mm			Ø8*40mm	M4*60mm		Ø30*5mm	Ø25*12mm								

Q	x8	R	x8	S	x8
Ø10mm		M6*60mm			

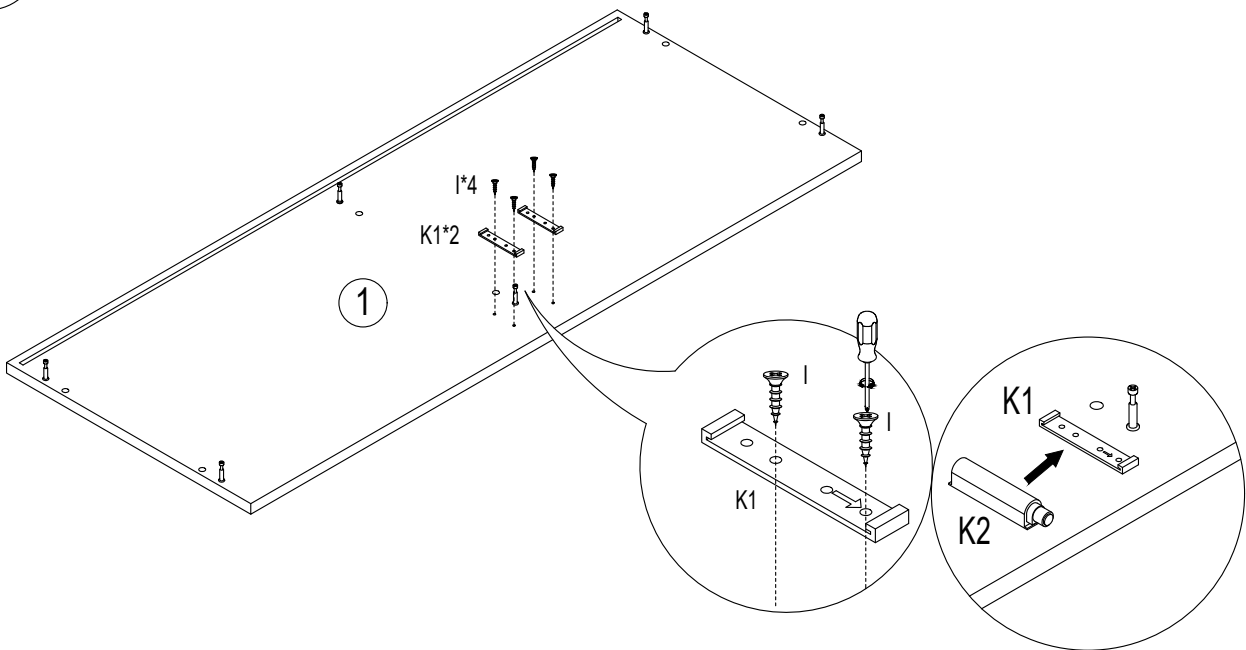


1



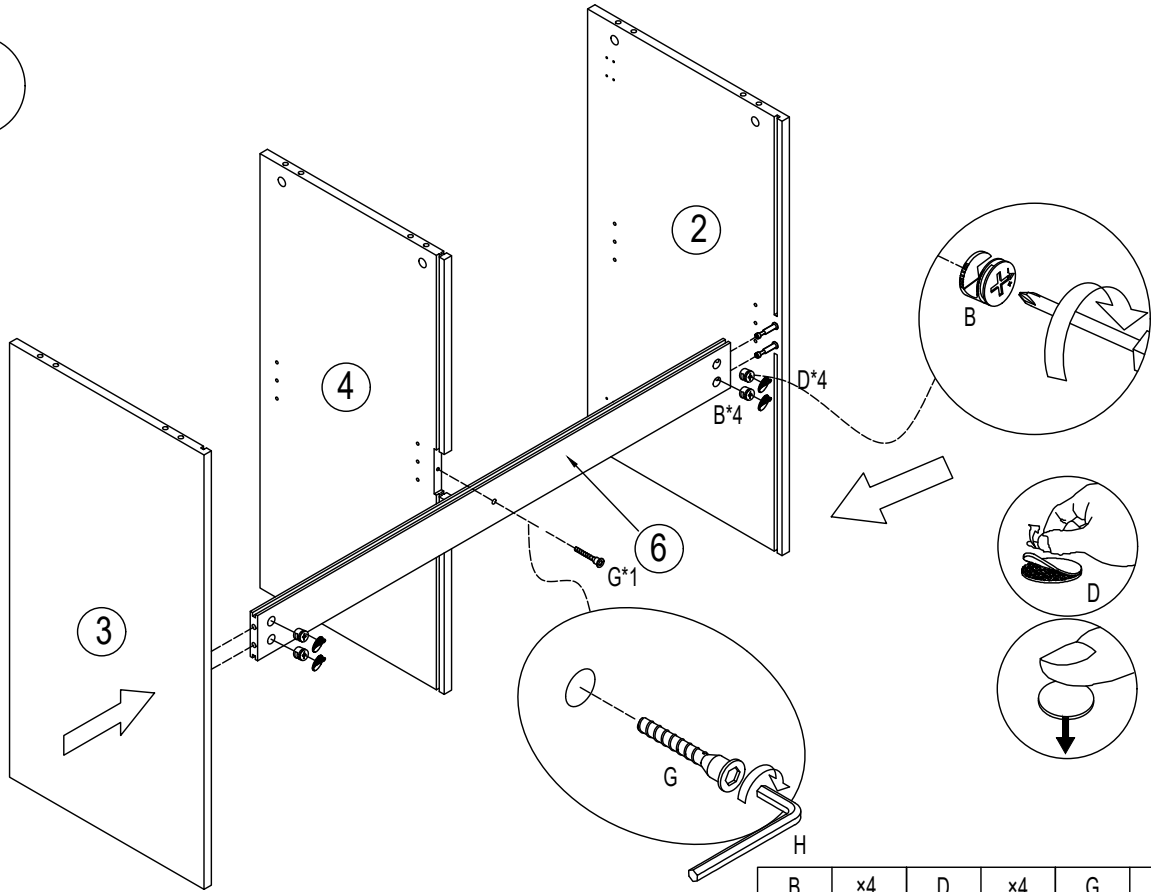
A	x10
M6*35mm	

2



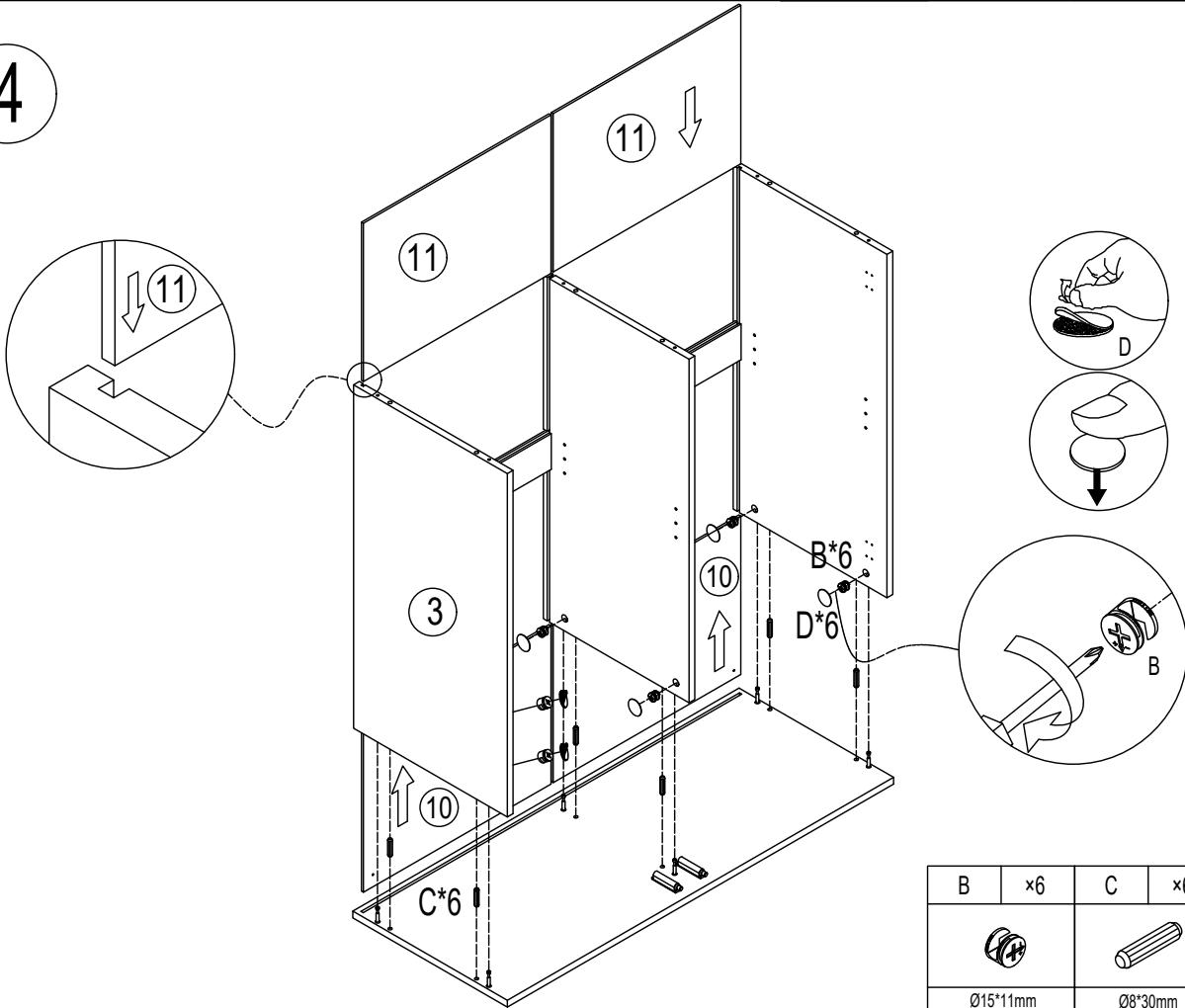
I	x4	K	x2
M3.5*14mm			

3



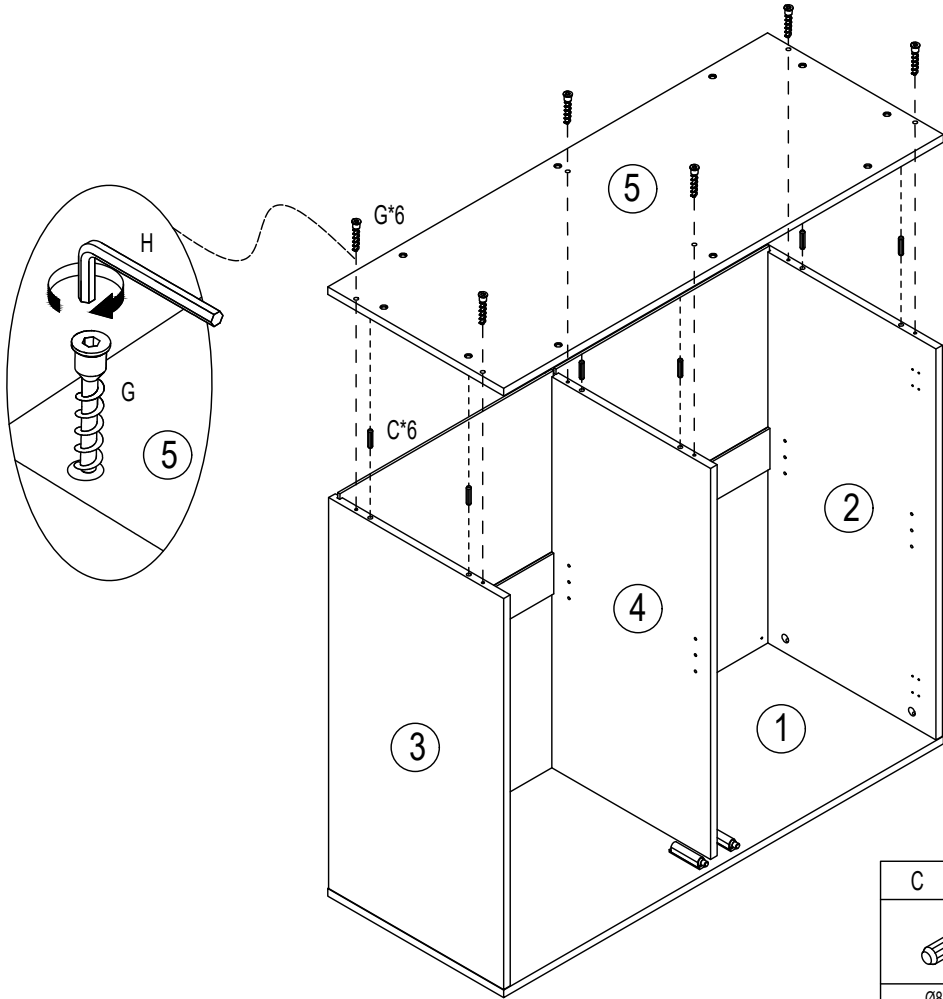
B	x4	D	x4	G	x1	H	x1
Ø15*11mm		Ø20mm		M7*50mm		M4	

4



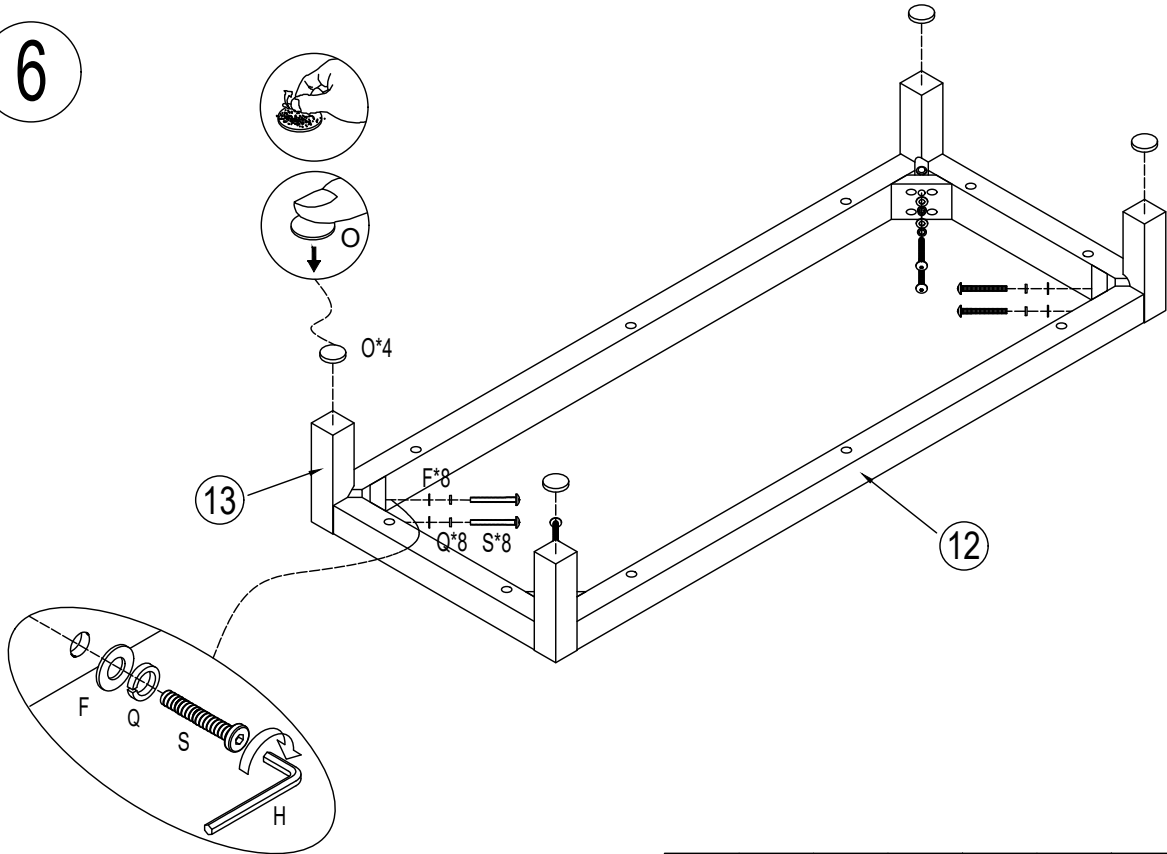
B	x6	C	x6	D	x6
Ø15*11mm		Ø8*30mm		Ø20mm	

5



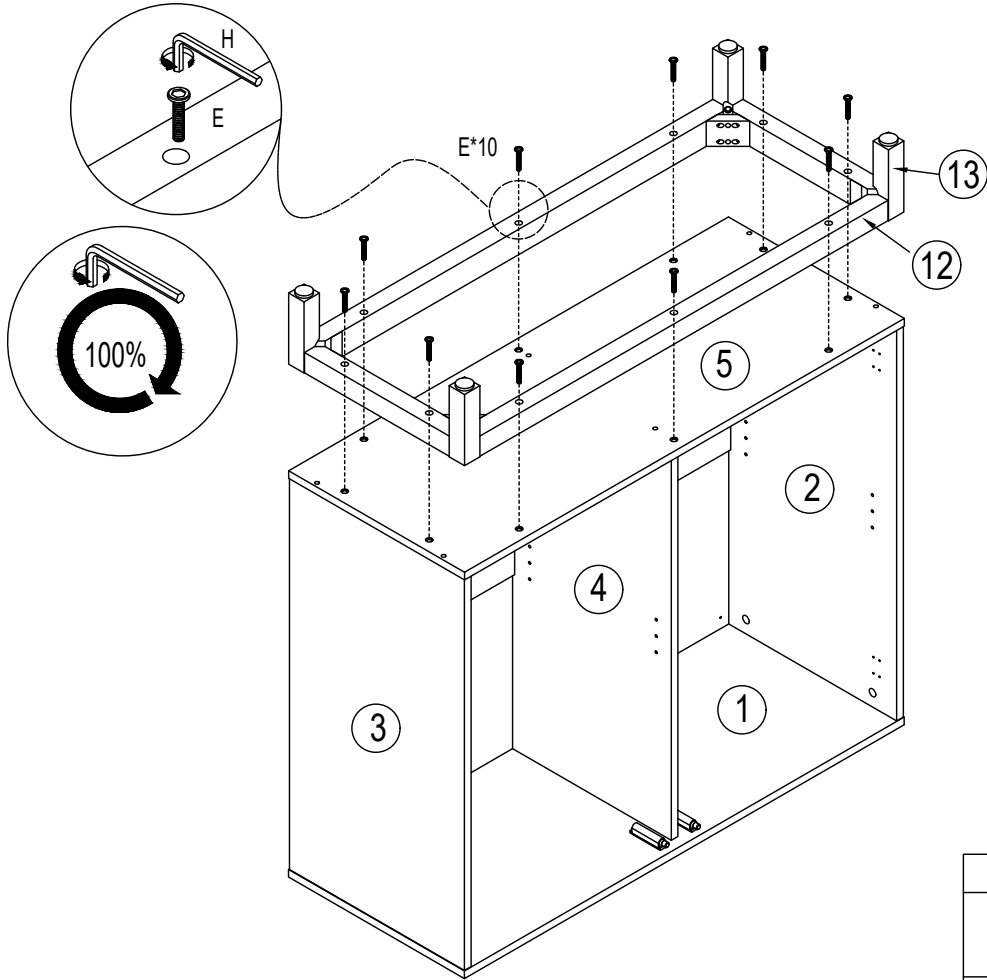
C	x6	G	x6	H	x1
Ø8*30mm		M7*50mm		M4	

6

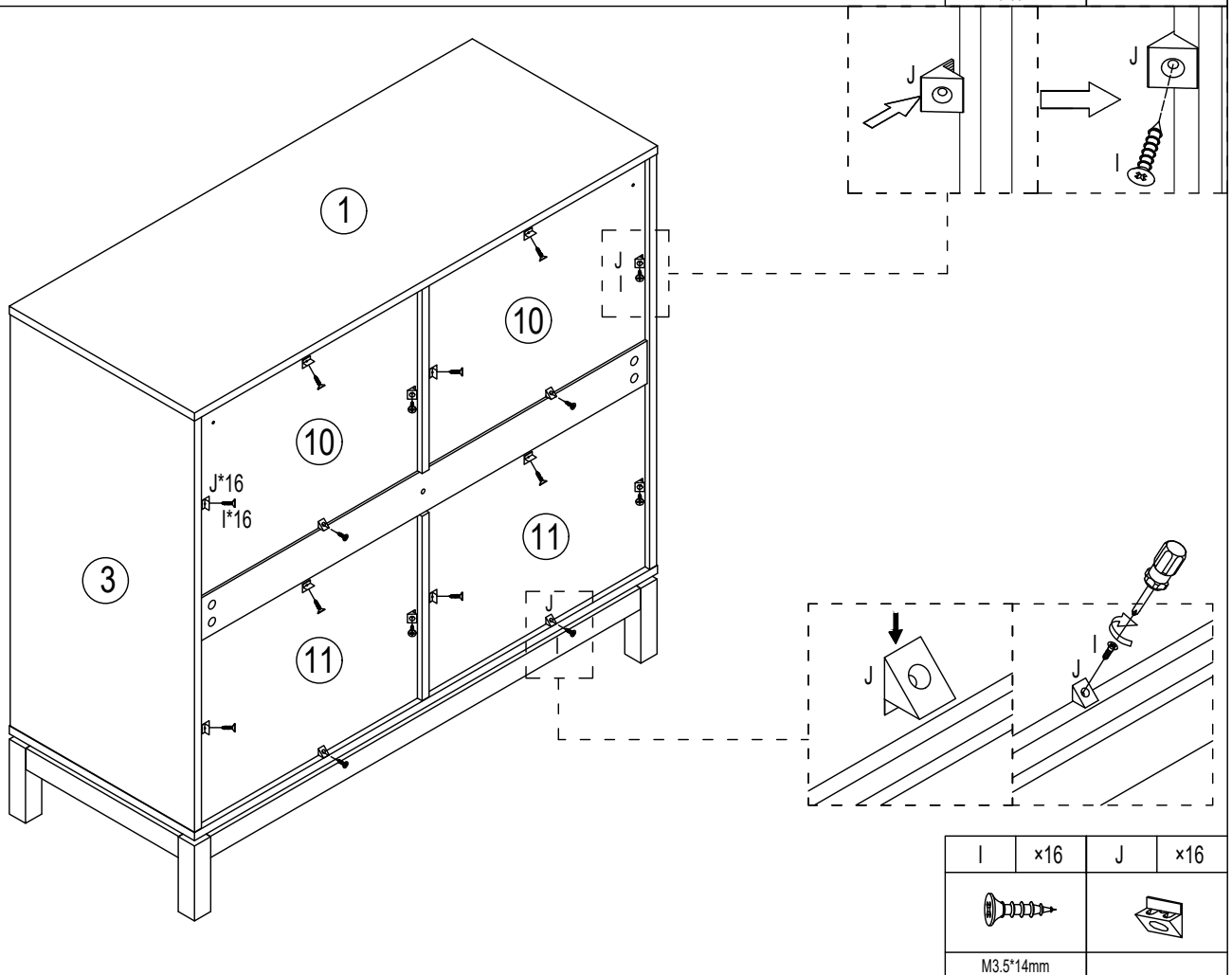


F	x8	H	x1	O	x4	Q	x8	S	x8
Ø13mm		M4		Ø30*5mm		Ø10mm		M6*60mm	

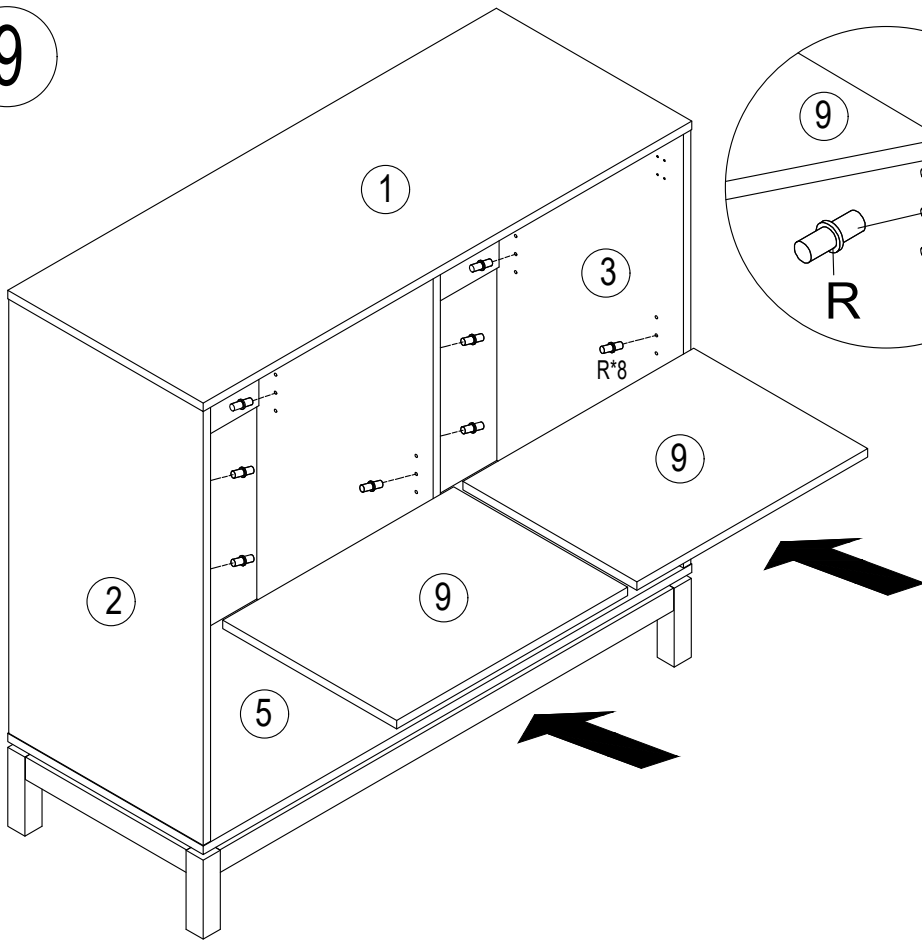
7




8

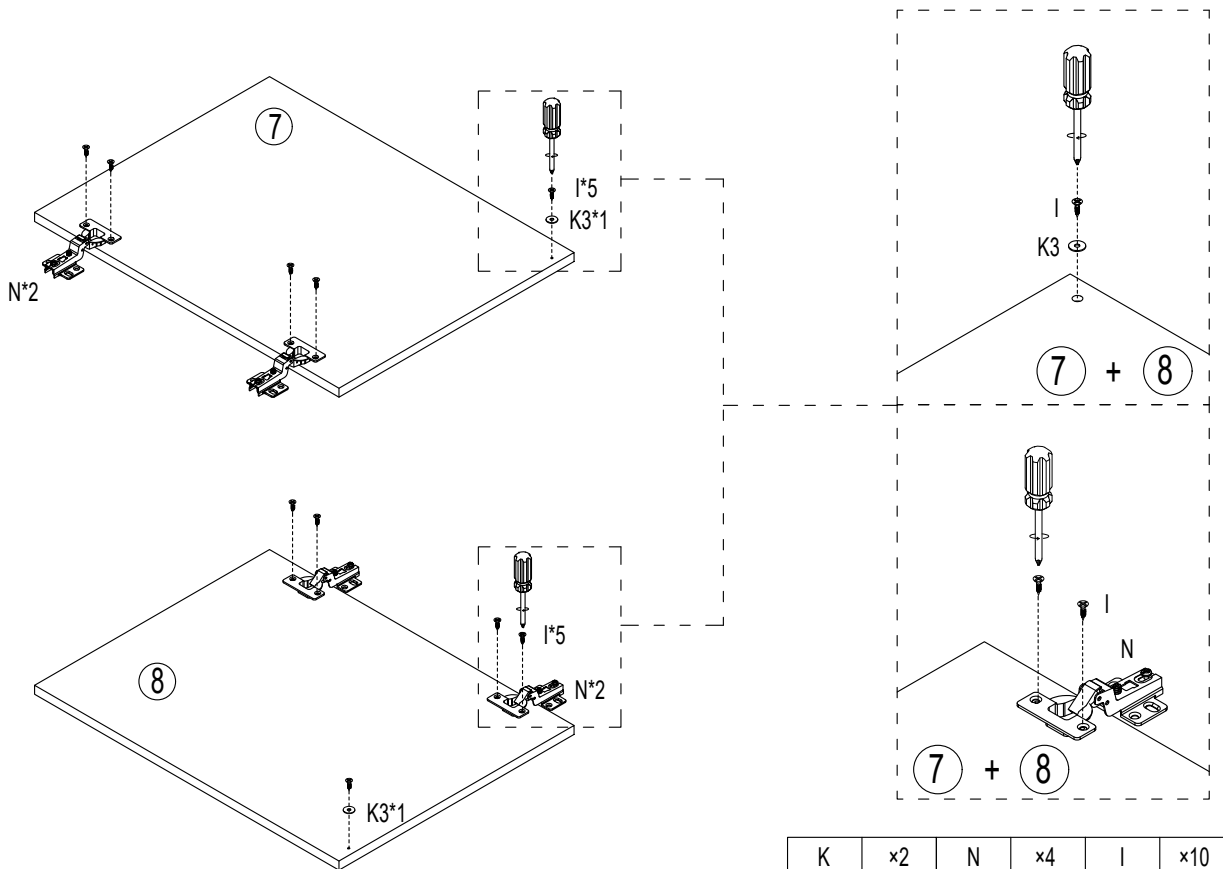


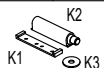

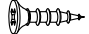
9



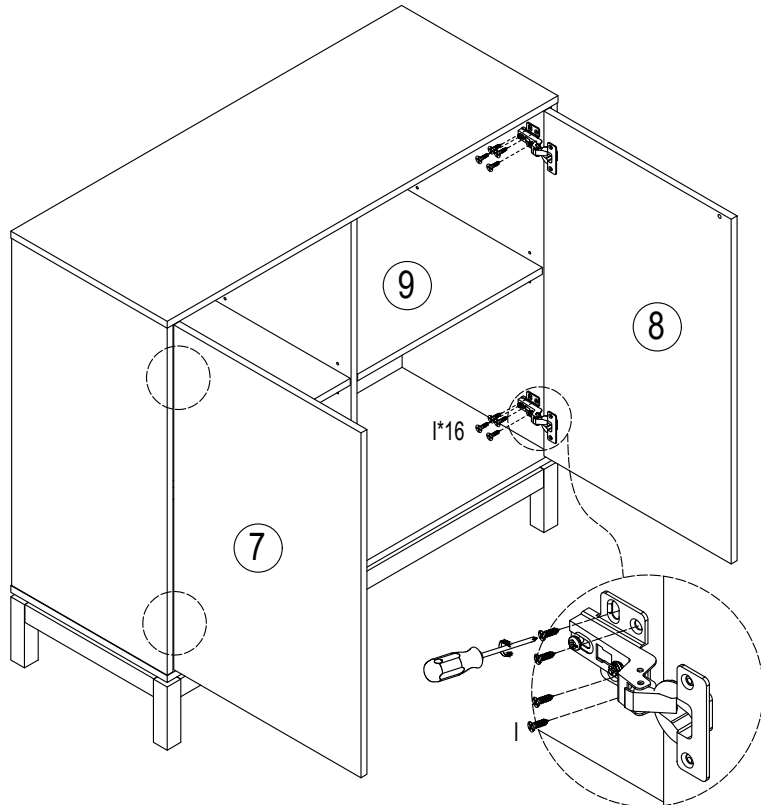
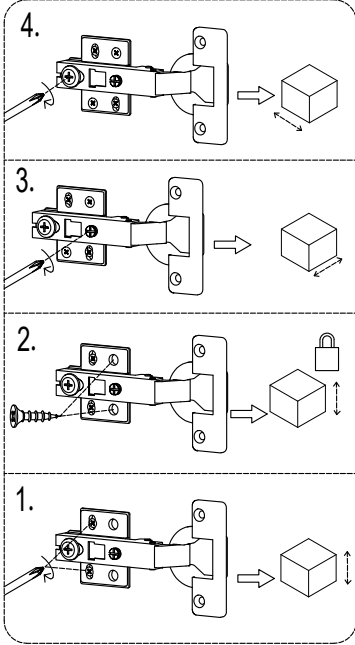
R	x8
	

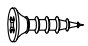
10



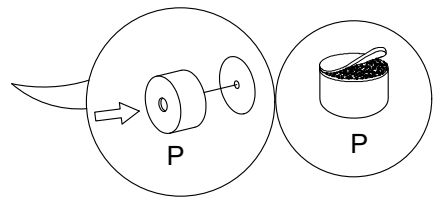
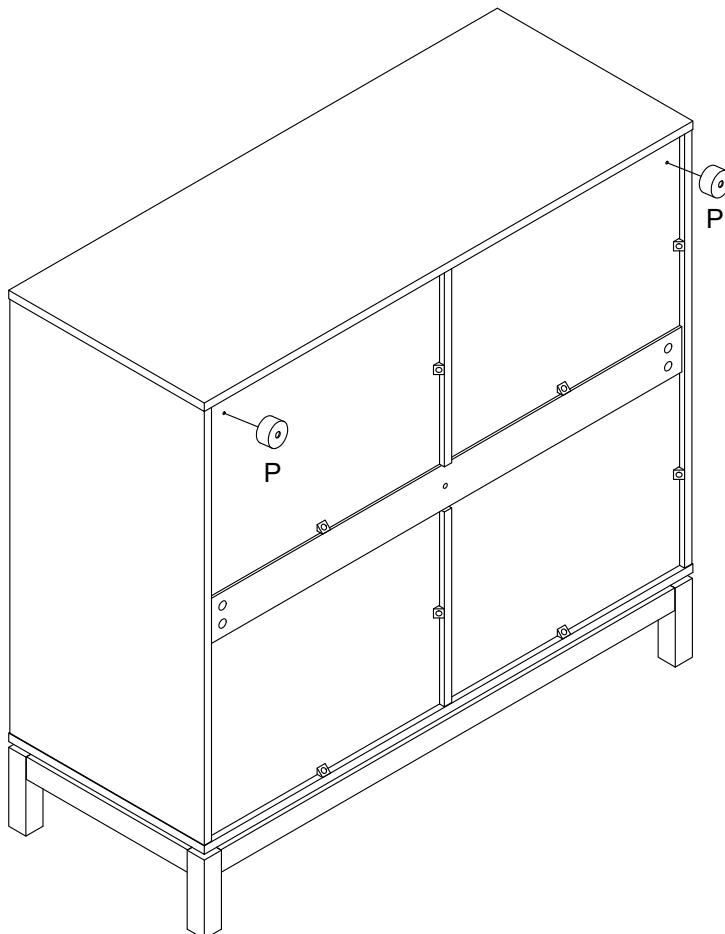
K	x2	N	x4	I	x10
					
		Ø35mm		M3.5*14mm	


11



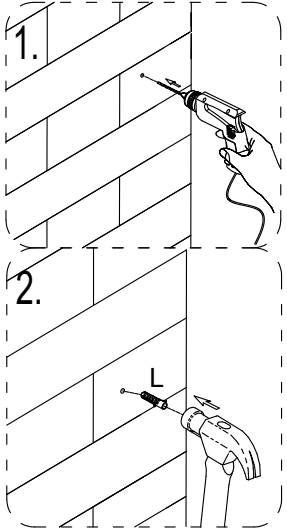
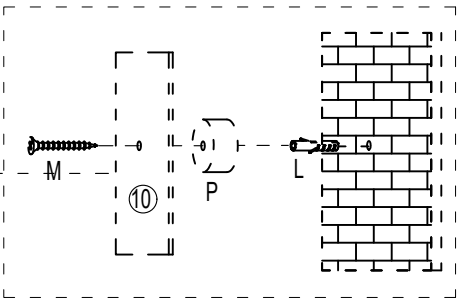
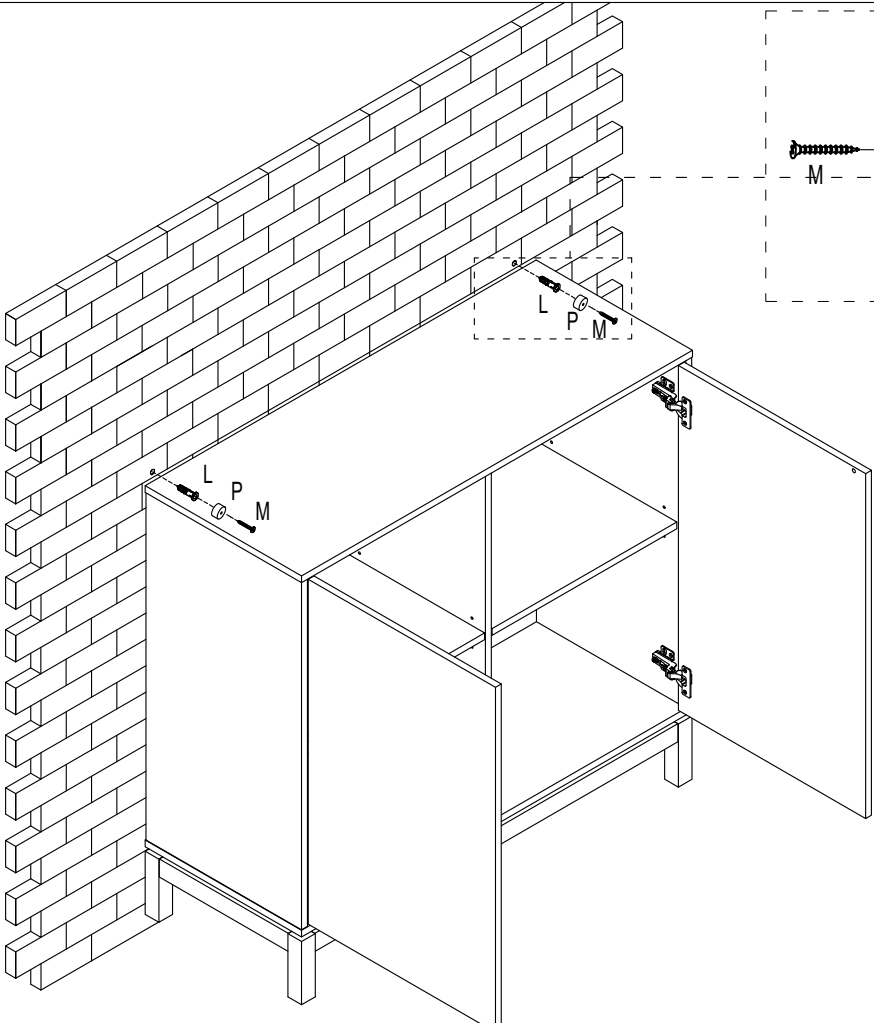
I	x16
	
M3.5*14mm	


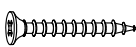
12



P	x2
	
Ø25*12mm	

13



L	x2	M	x2
			
Ø8*40mm		M4*60mm	

14

