

Artemide



Artemide

775.190.4

Artemide

via Bergamo, 18
20010 Pregnana M.se (MI)
ITALIA

tel. +39 02 935 181
fax +39 02 935 90 254
fax +39 02 935 90 496

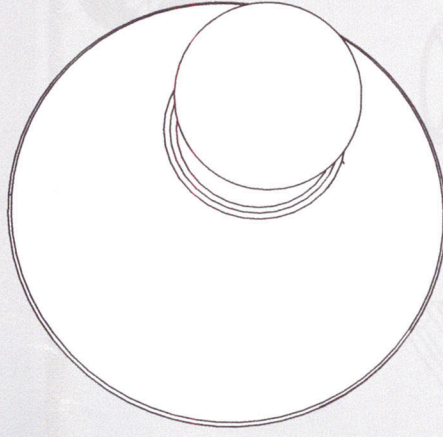
www.artemide.com

VAT IT00846890150

cod. Y513000587

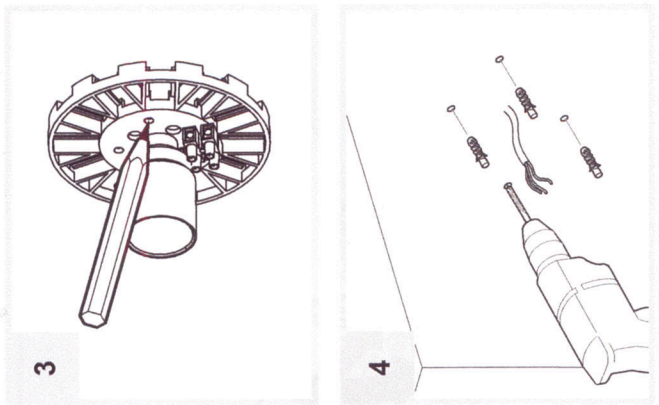
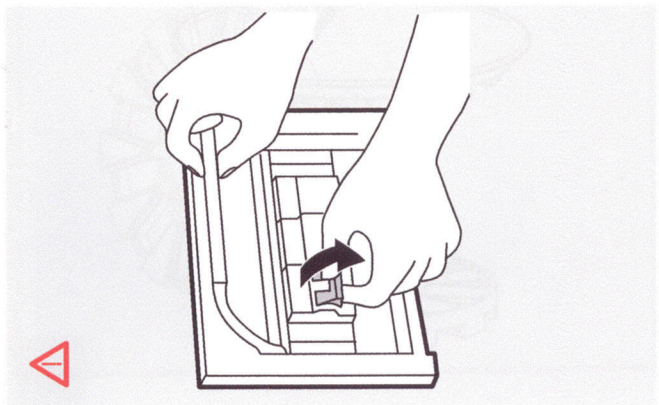
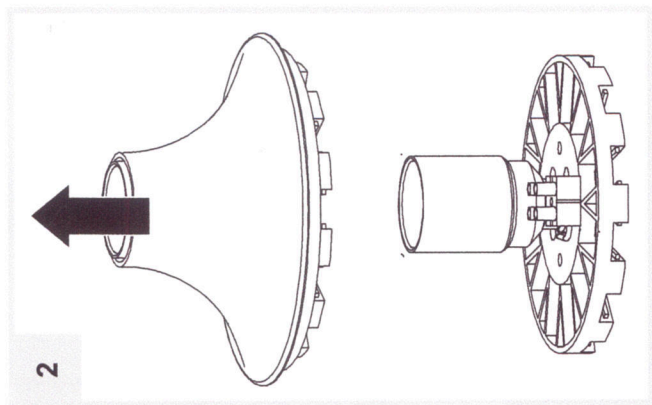
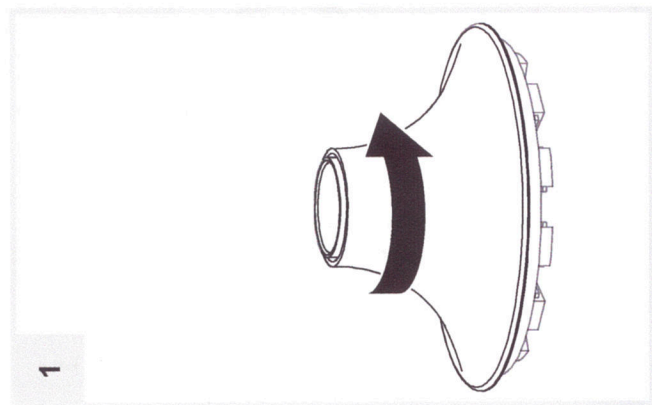
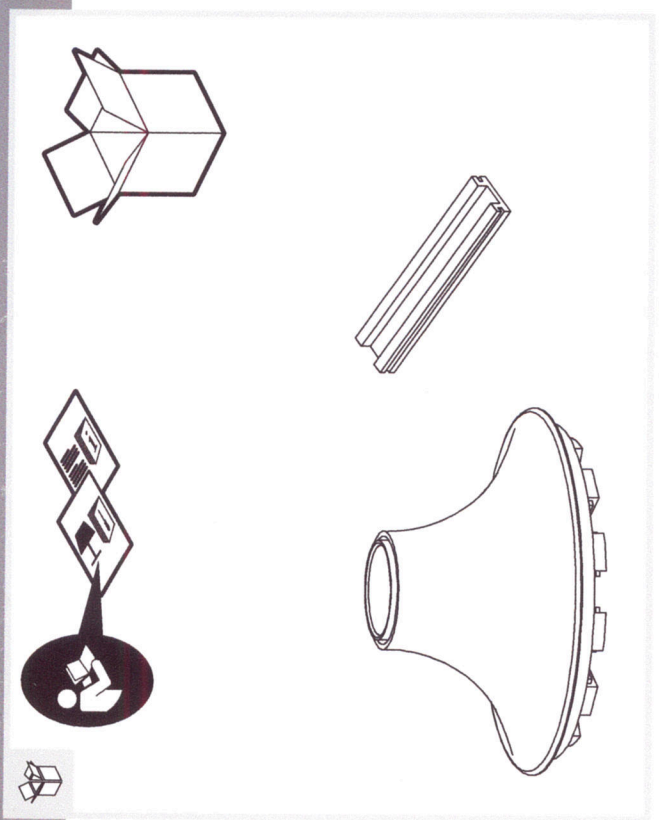
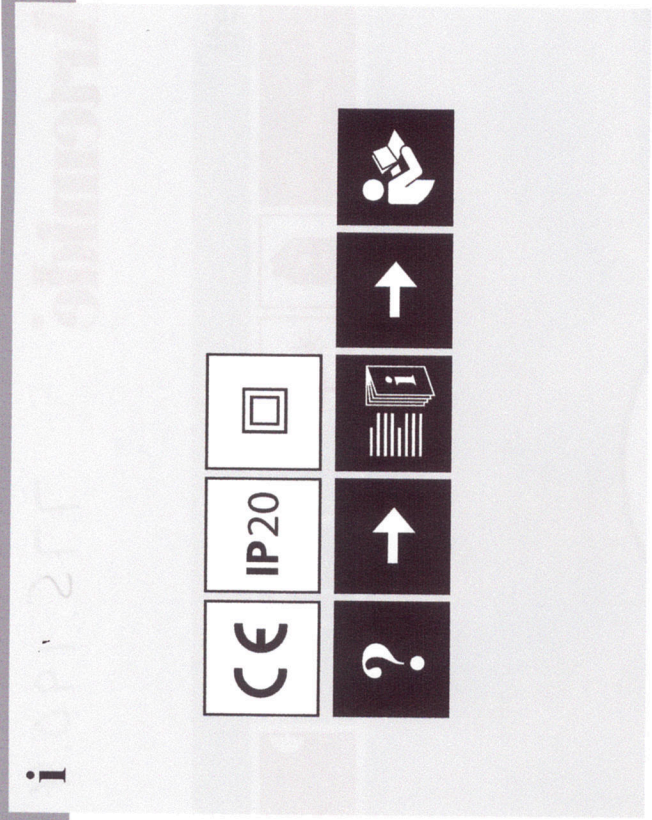
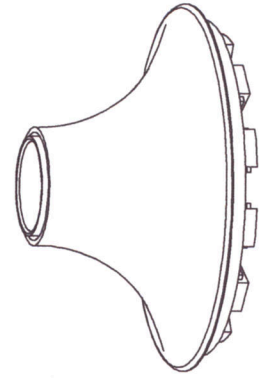
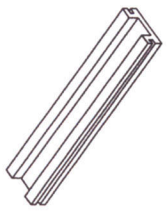
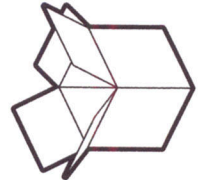
Teti

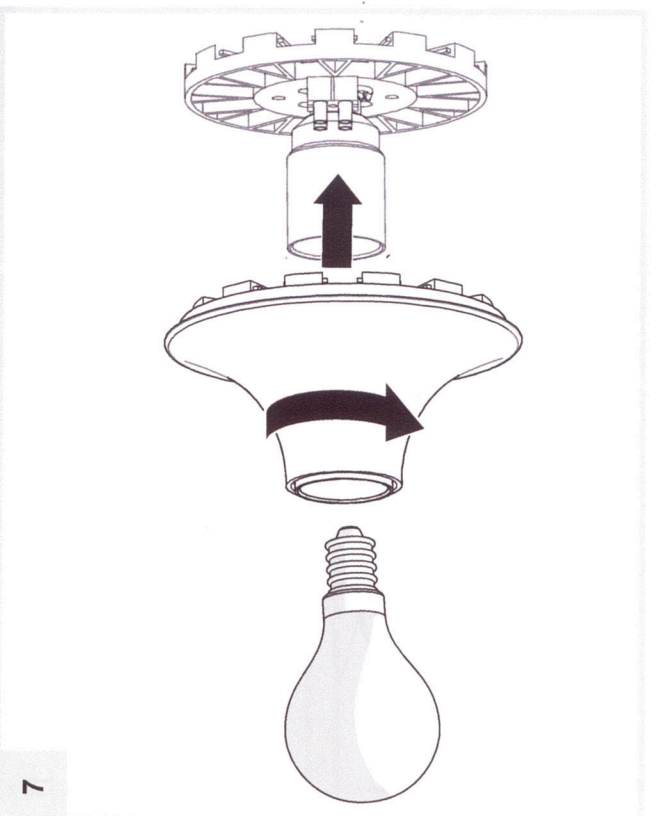
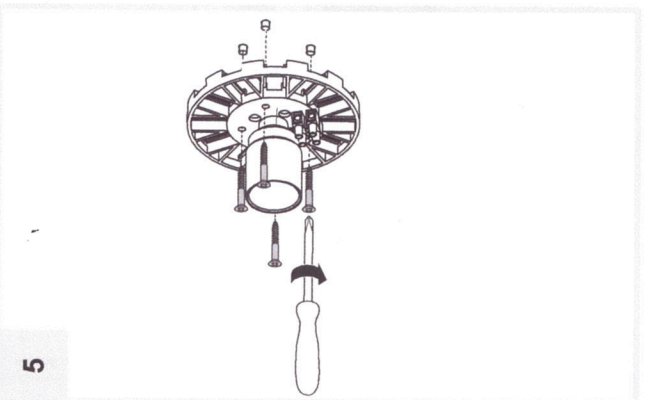
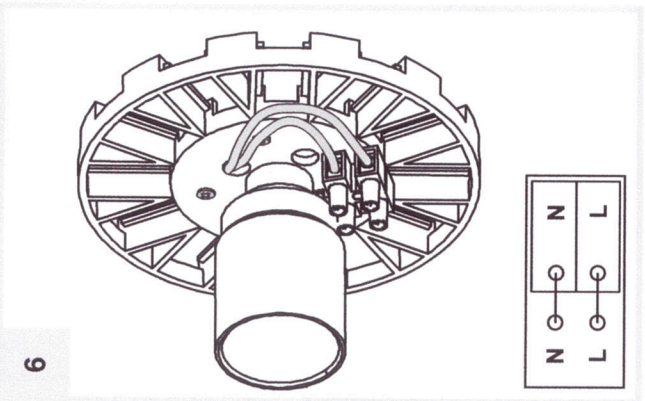
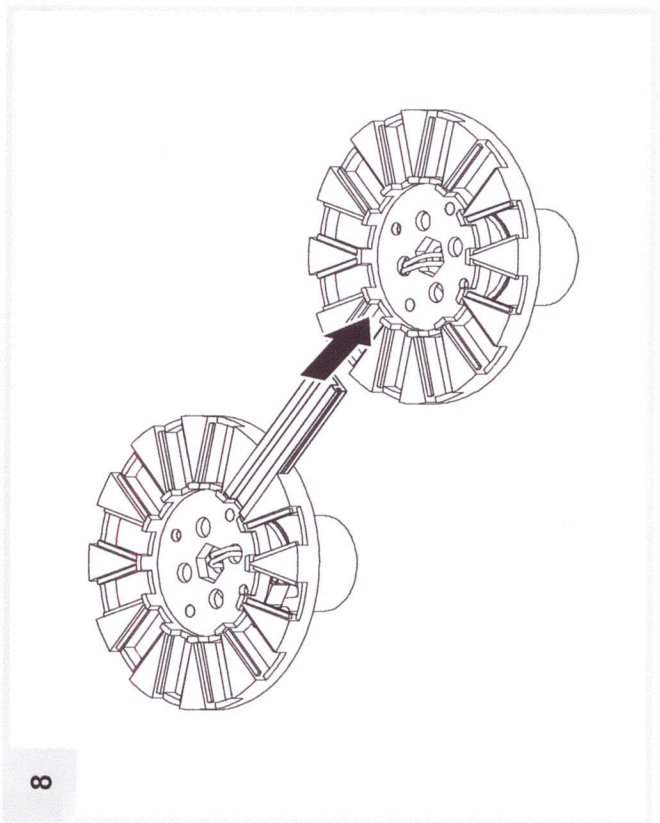
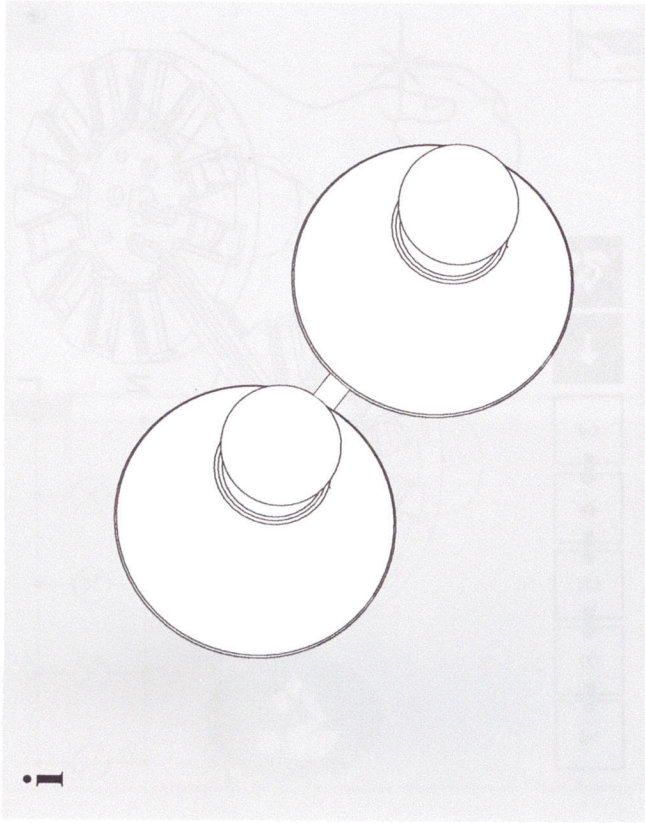
design
Vico Magistretti

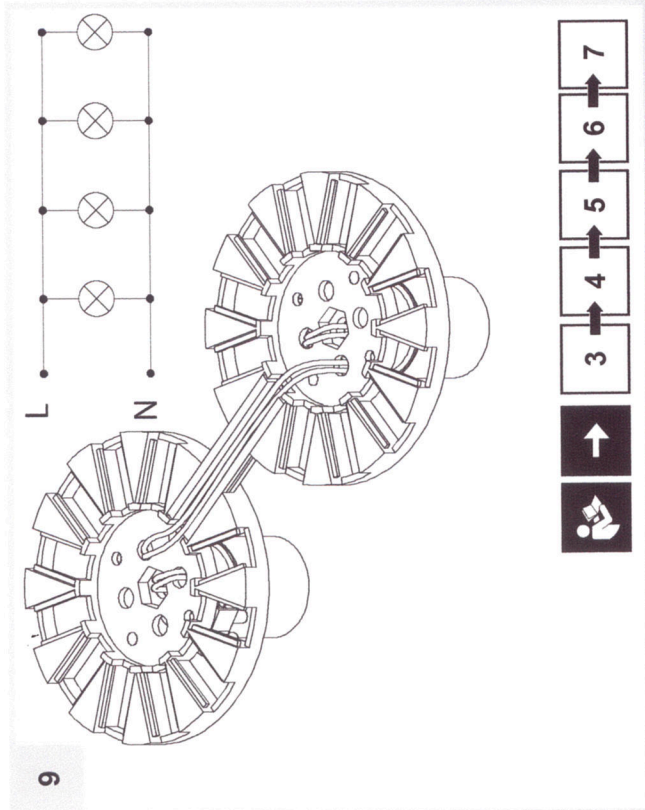
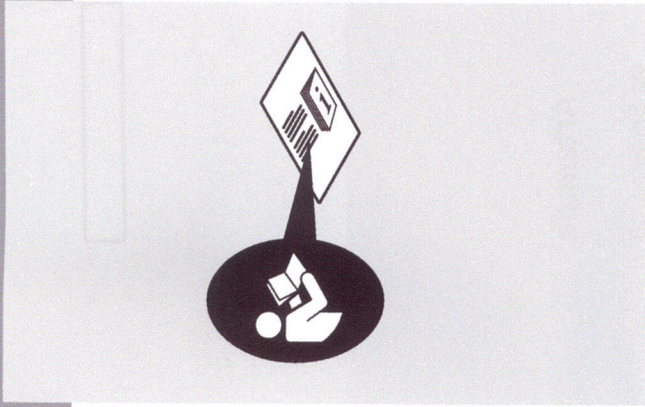




i







i

