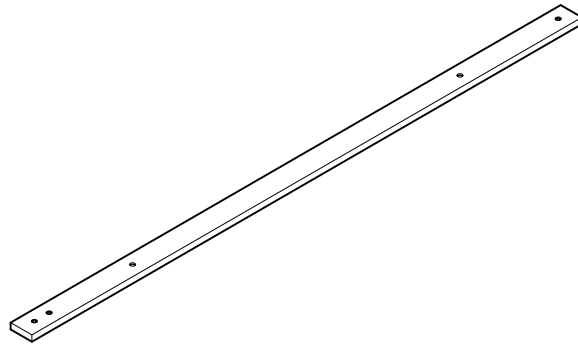


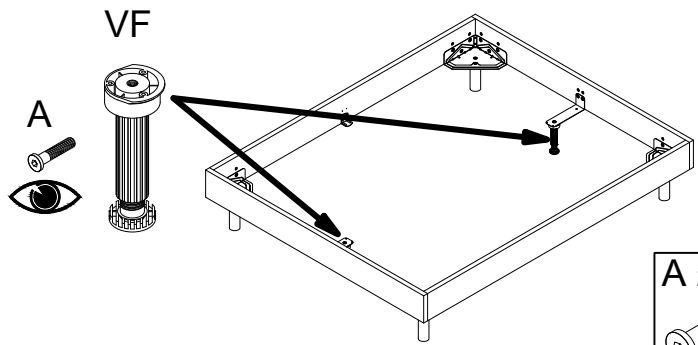
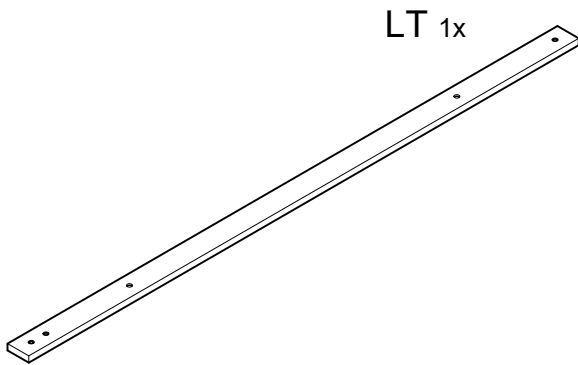
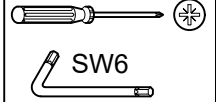
Längstraverse
Traverse centrale
Traversa centrale
Longitudinal beam



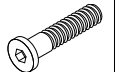
ca. 10 min



SWISS QUALITY



A 2x



M10x35

