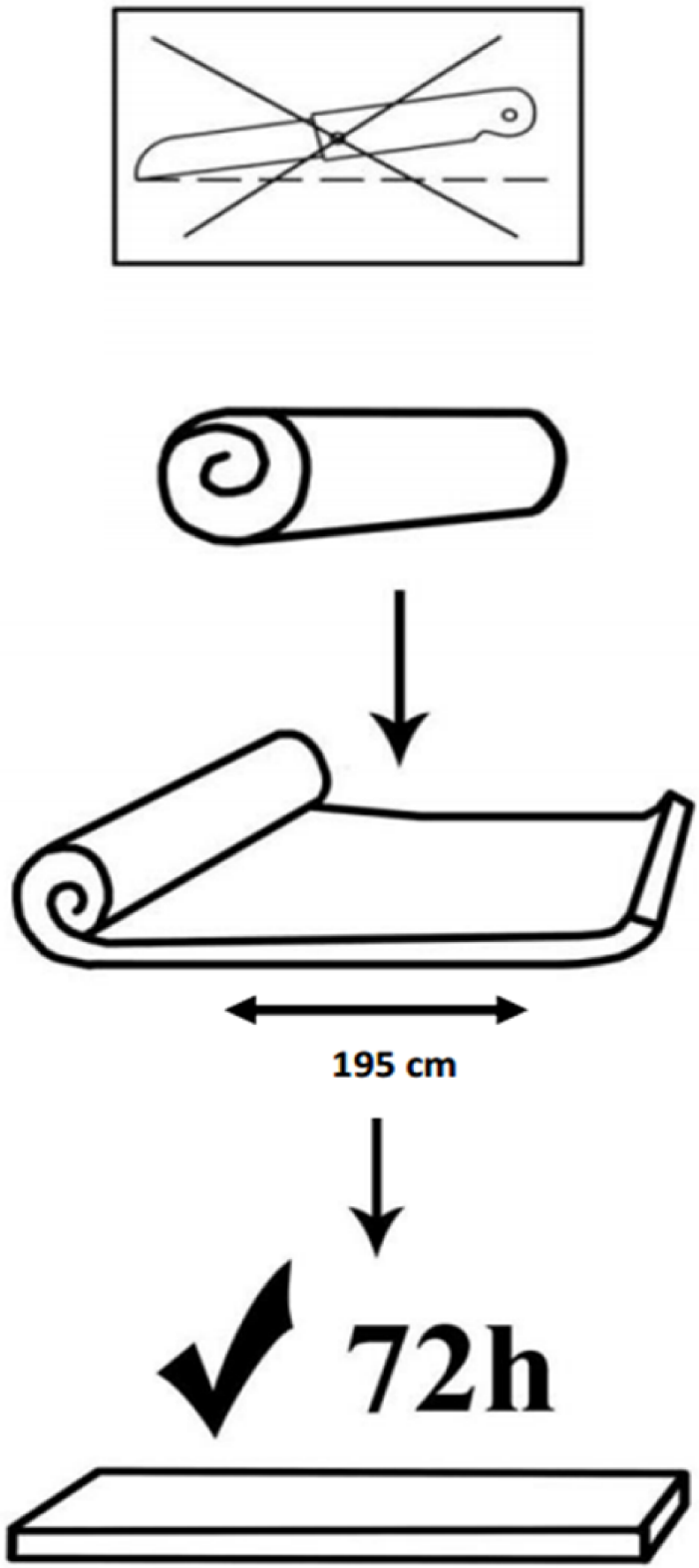


RUEGG





1



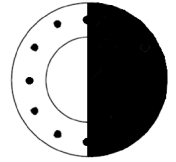
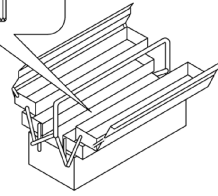
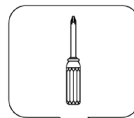
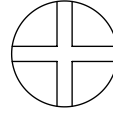
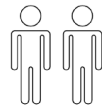
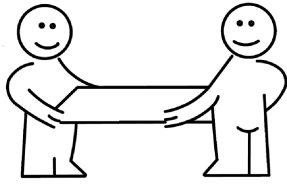
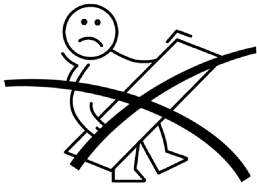
2



3



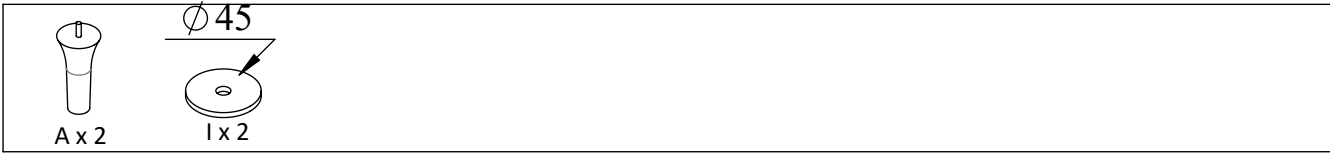
4



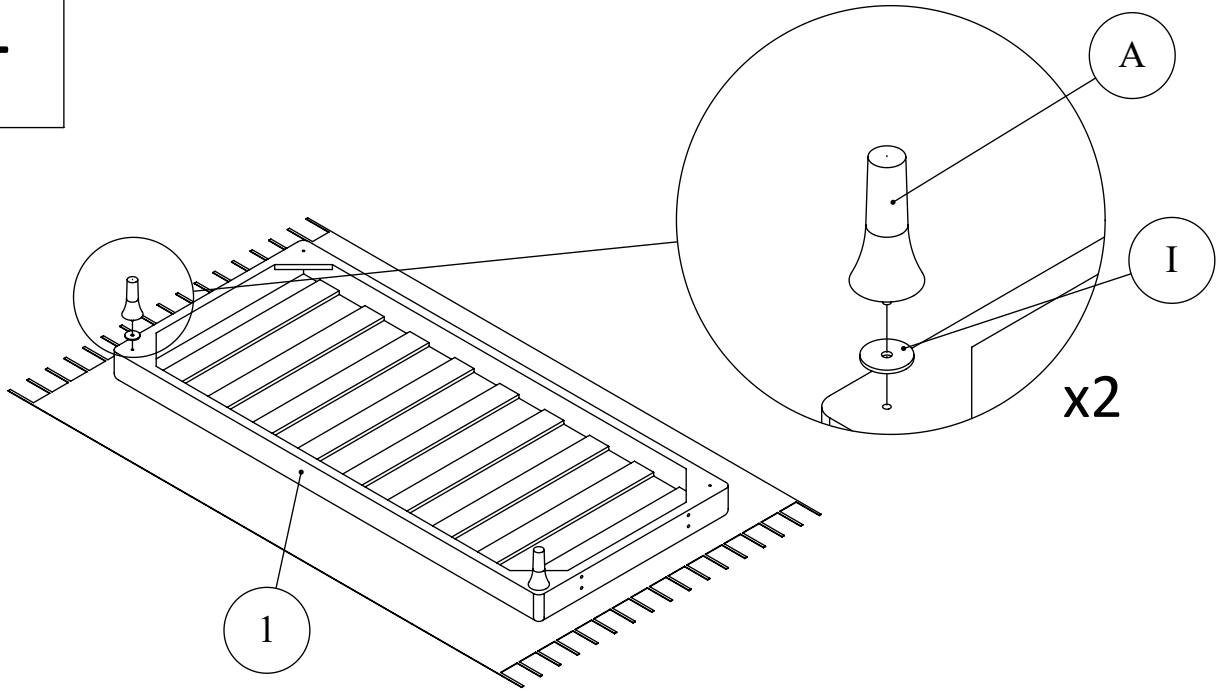
30 min

<p>Ax4 (C1)</p>	<p>Bx2 (C1)</p>	<p>Cx6 (C1)</p>	<p>Dx4 (C1)</p>
<p>Ex8 (C1)</p>	<p>Fx4 (C1)</p>	<p>Gx2 (C1)</p>	<p>Hx1 (C1)</p>
<p>Ix4 (C1)</p>			

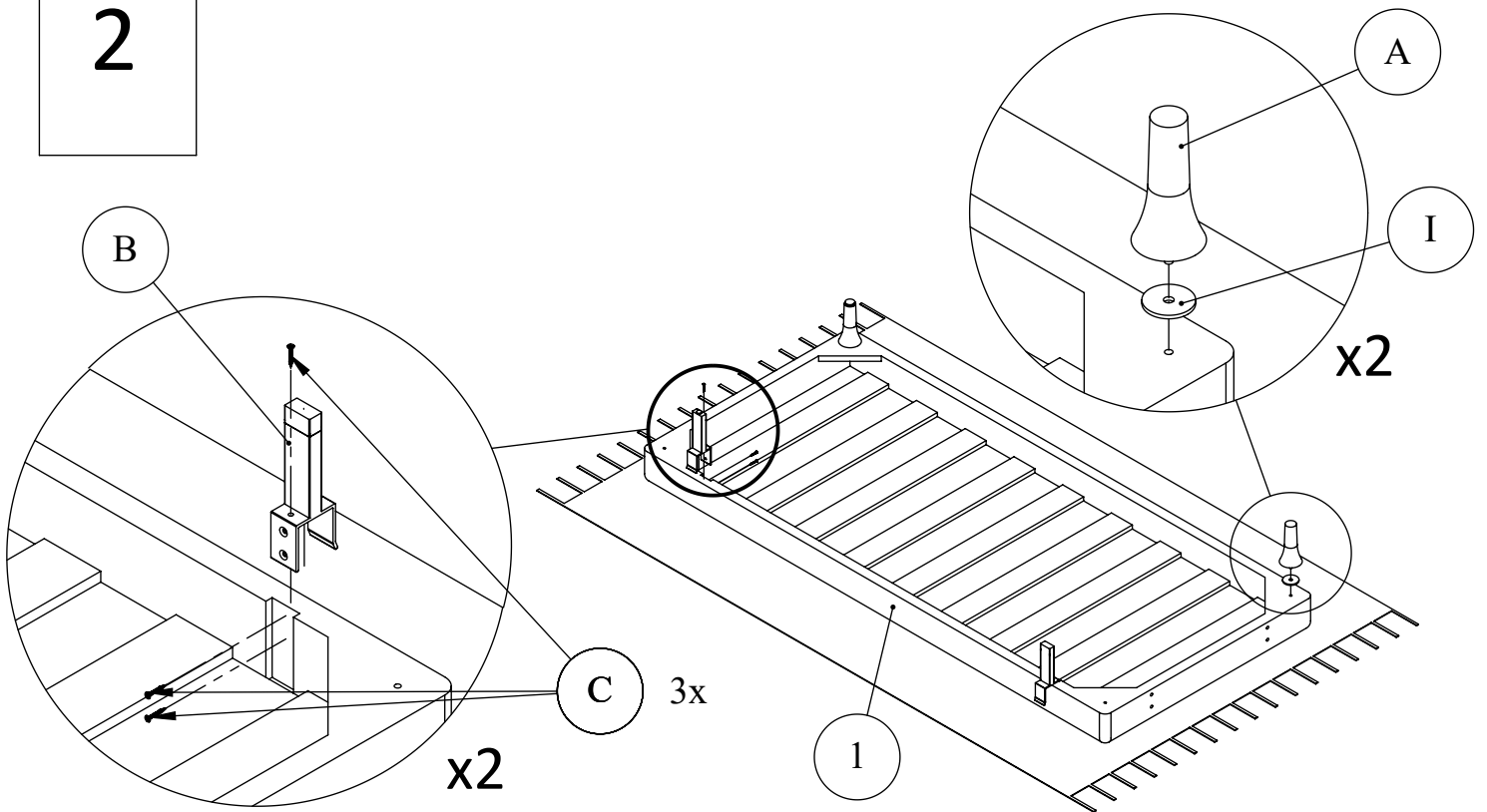
<p>1 x 2 (C1)</p>	<p>2 x 1 (C2)</p>	<p>3 x 1 (C3)</p>
<p>4 x 1 (C2)</p>	<p>5 x 1 (C3)</p>	<p>6 x 1 (C4)</p>



1



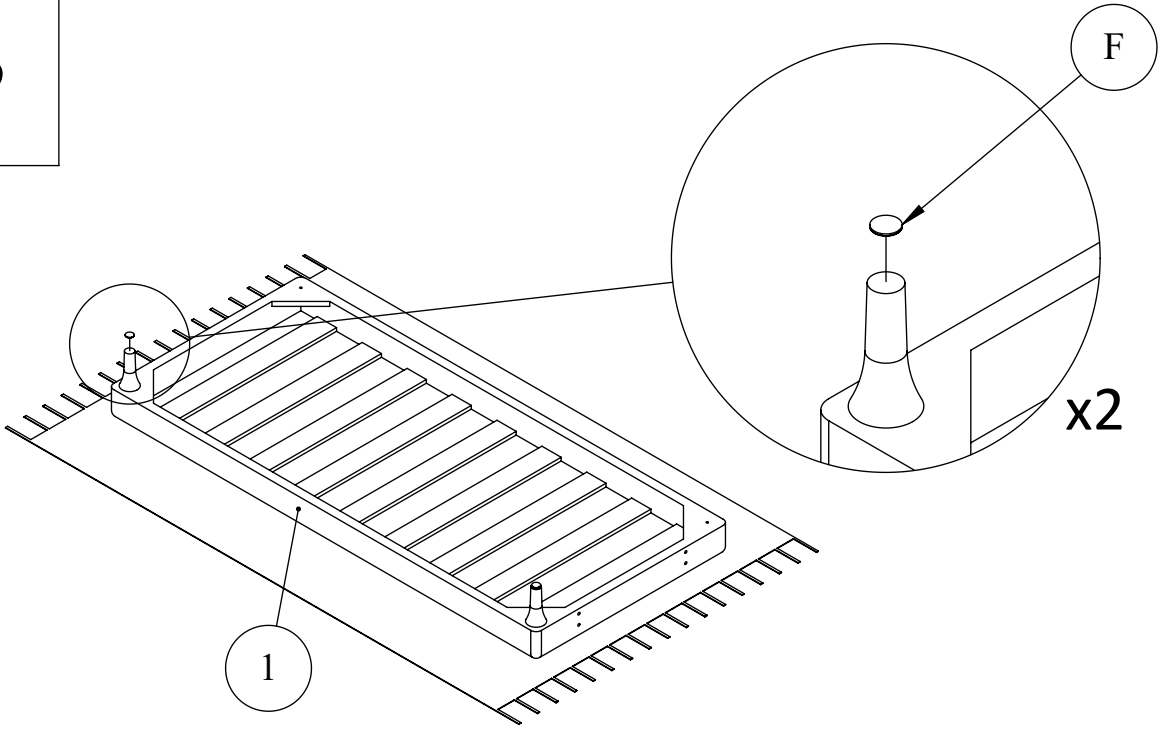
2



$\varnothing 30$

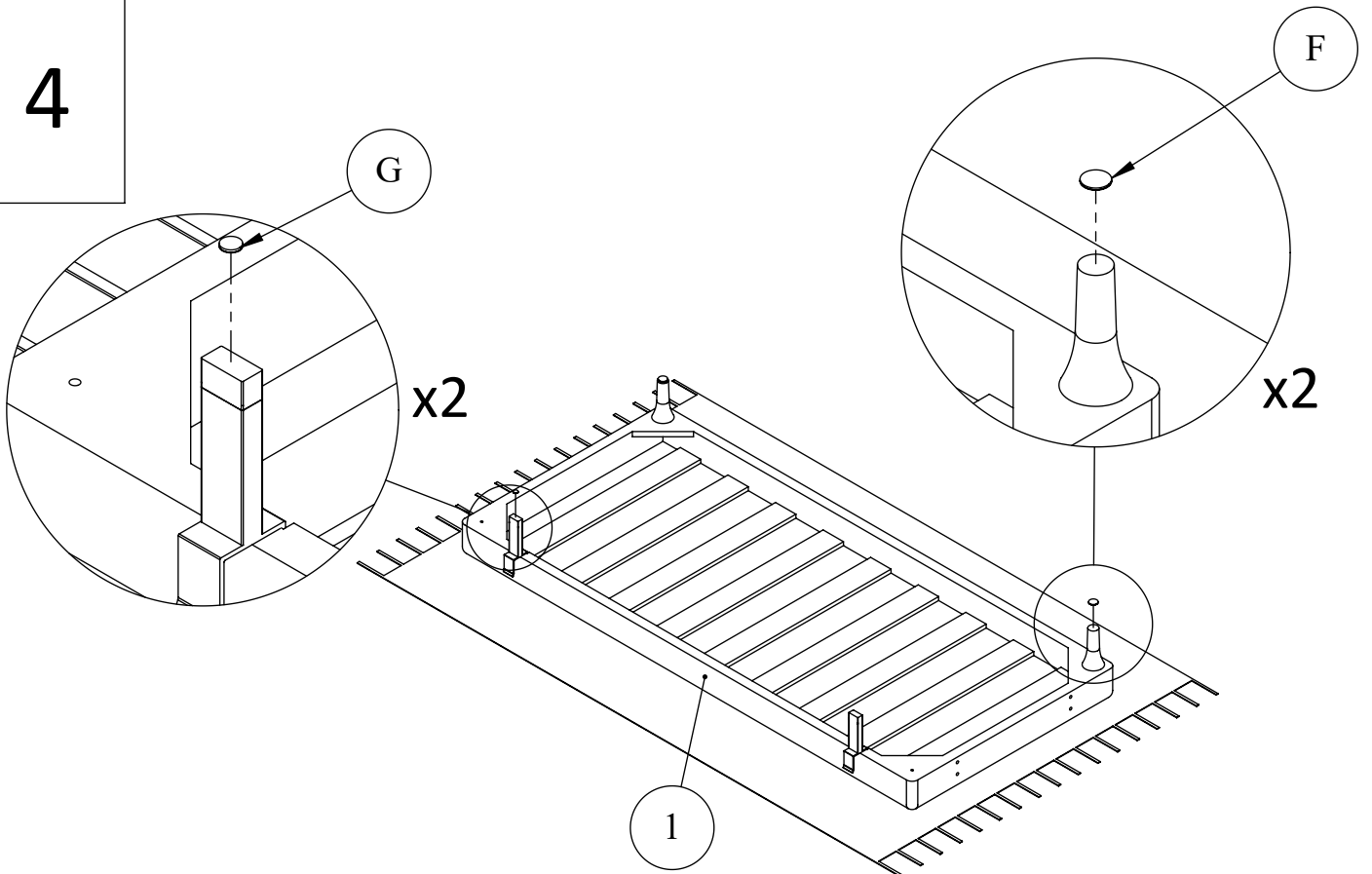
F x 2

3

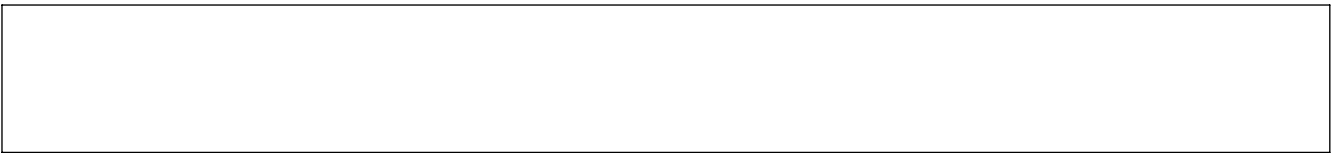
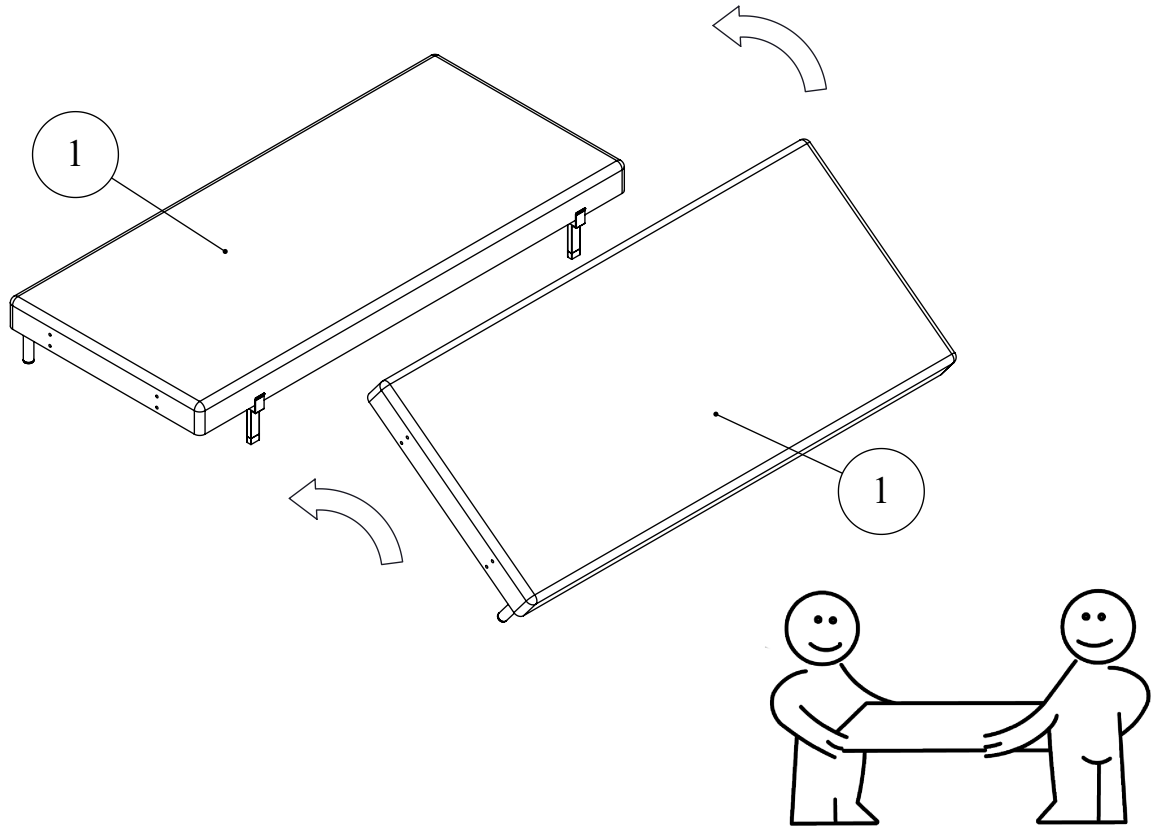


$\varnothing 30$ $\varnothing 16$
 
F x 2 G x 2

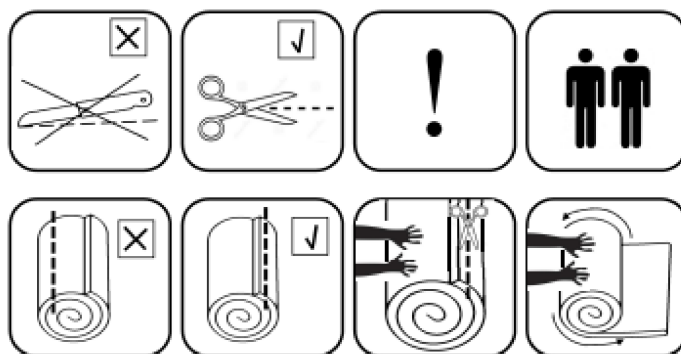
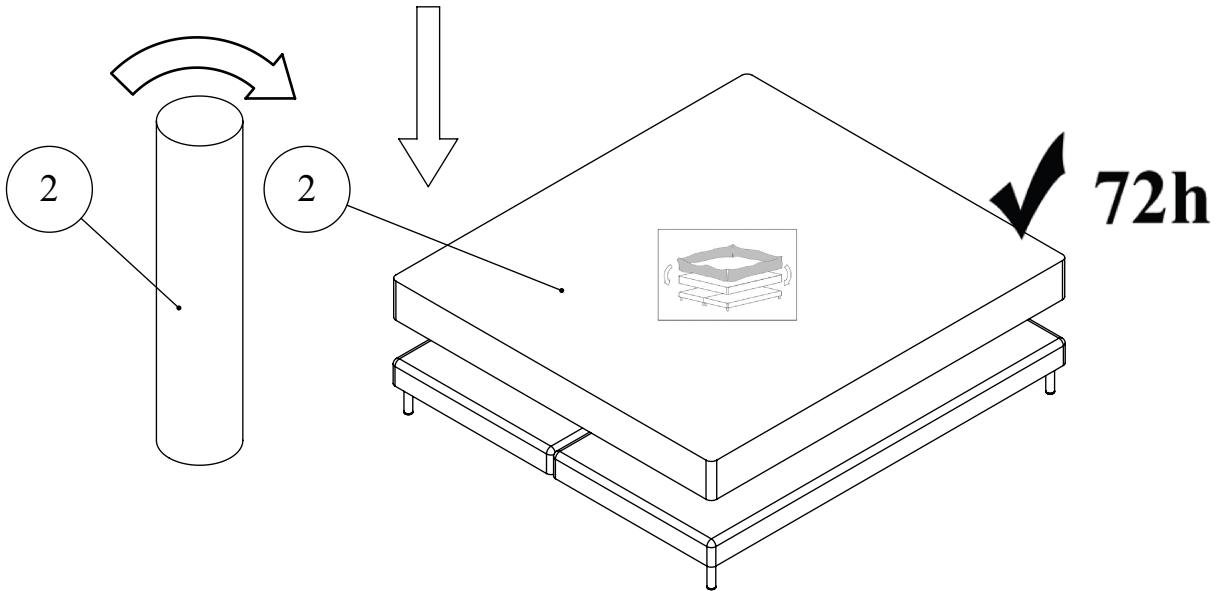
4



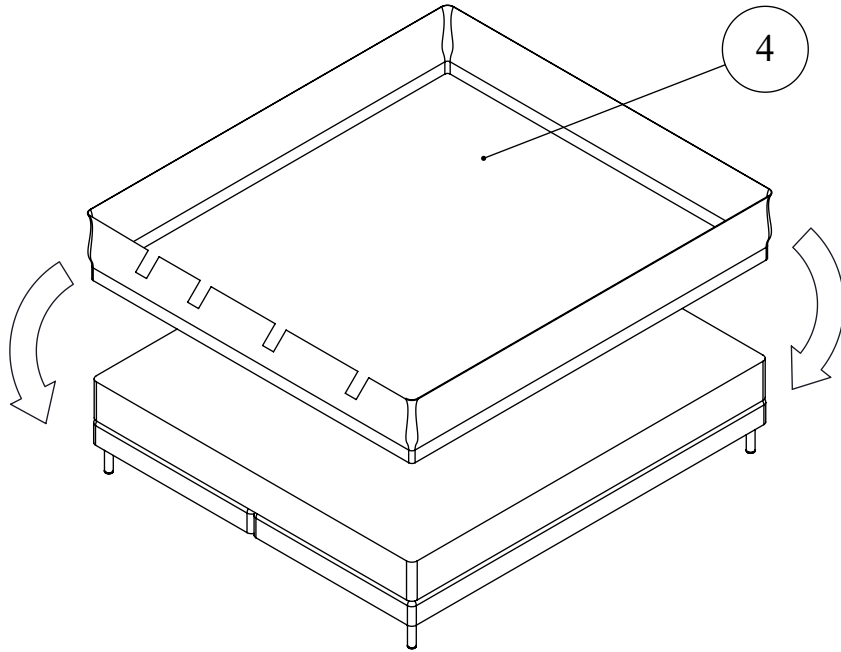
5



6



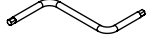
7



D x 4

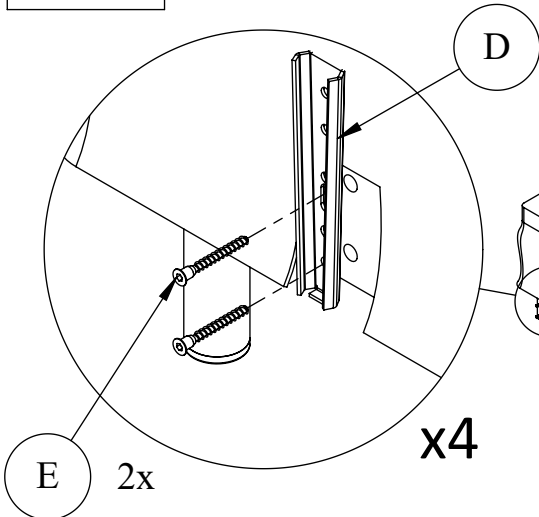
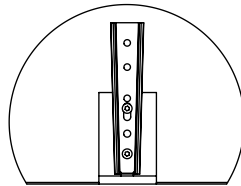


E x 8



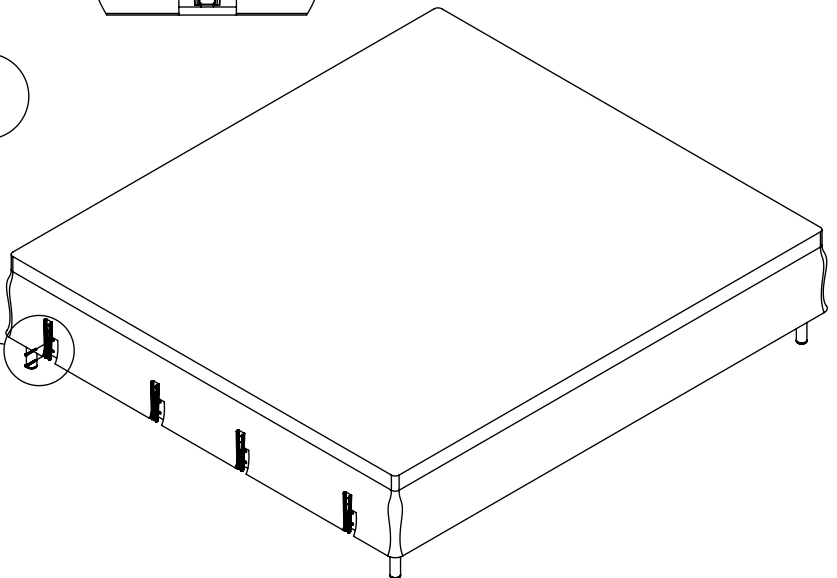
H x 1

8

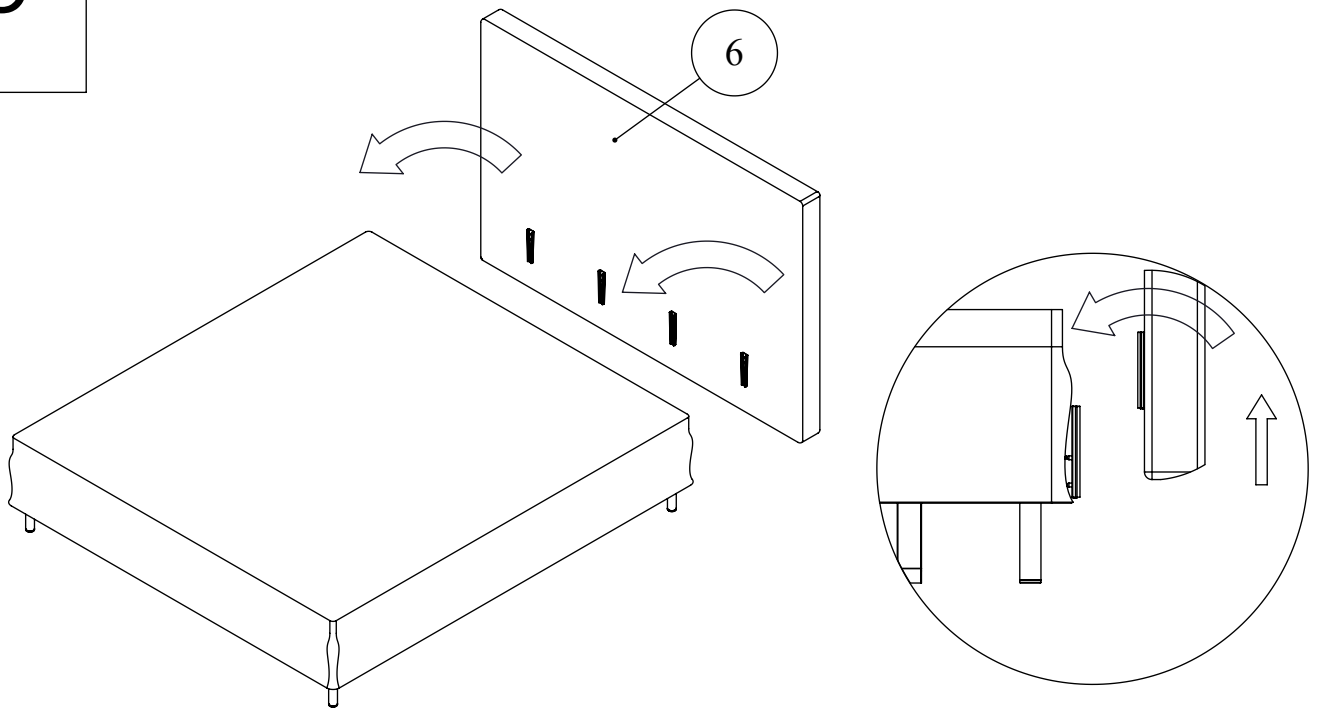


x4

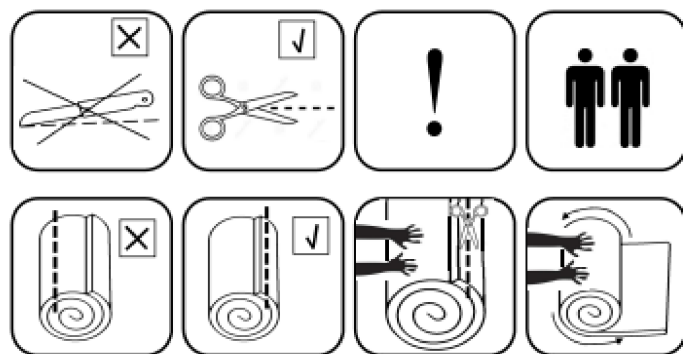
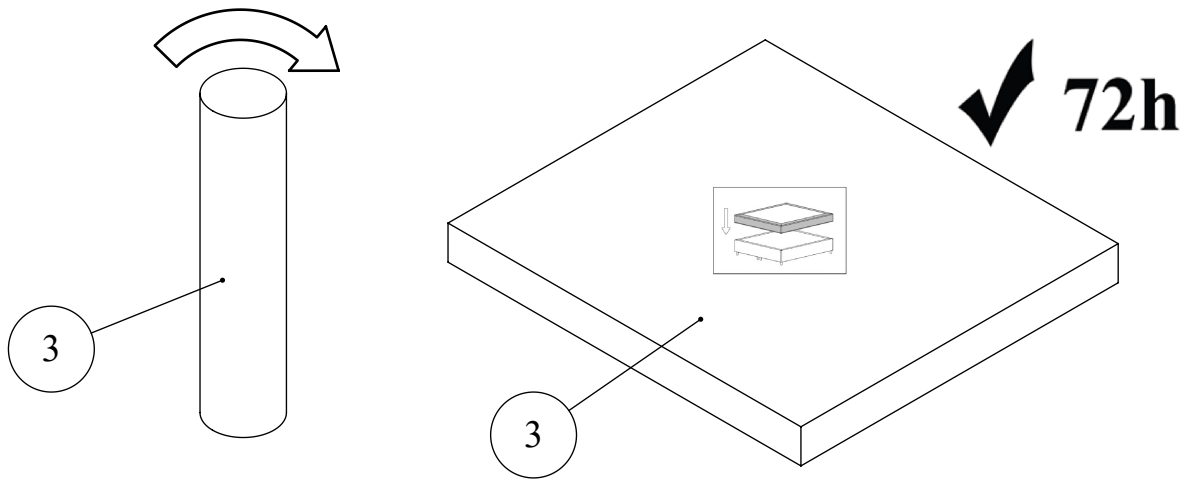
2x



9



10



11

