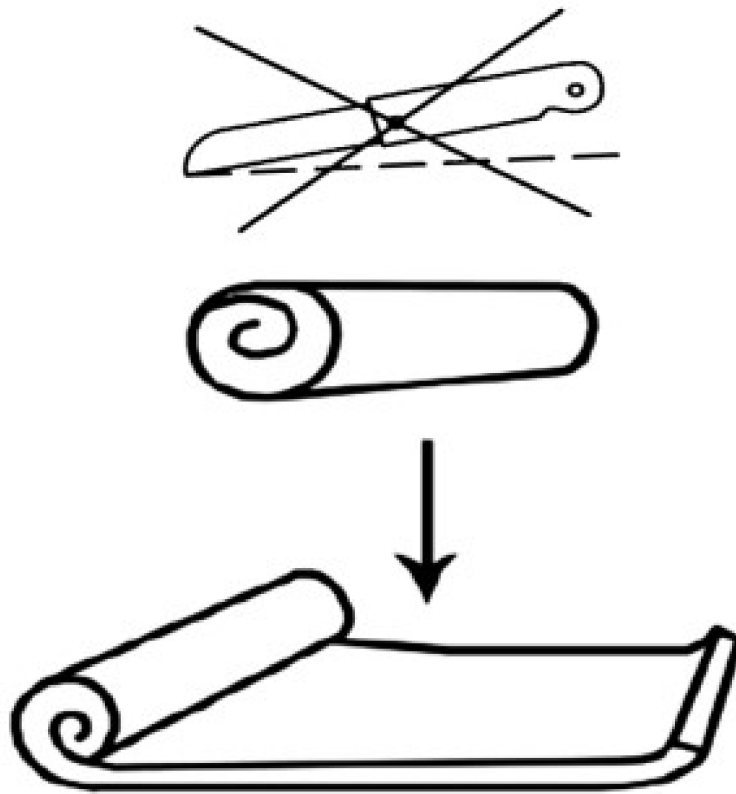
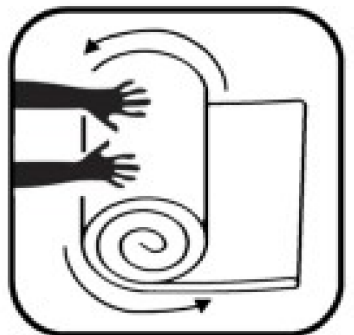
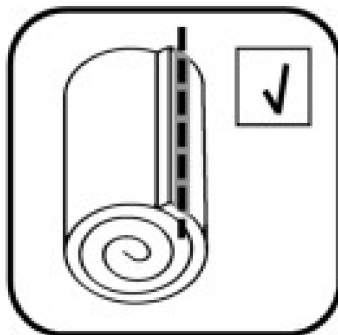
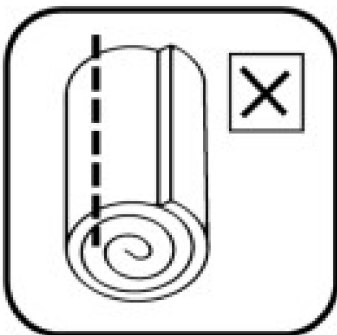
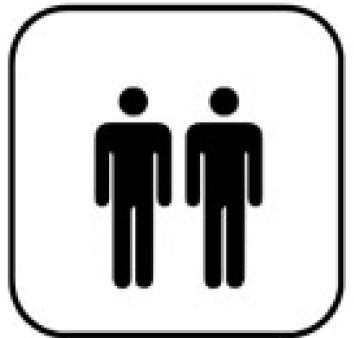
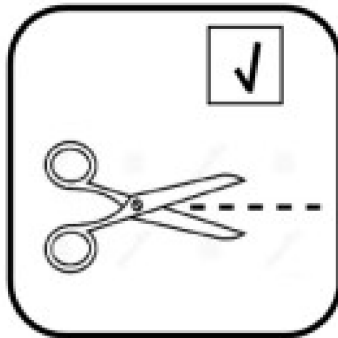
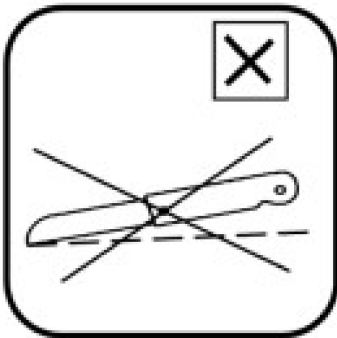
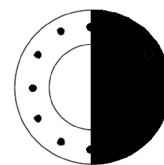
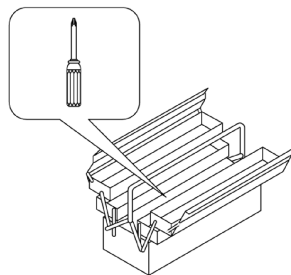
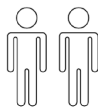
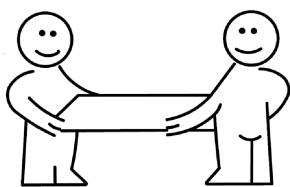


EUNOIA

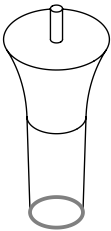

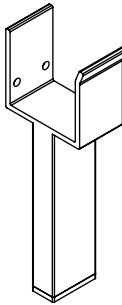

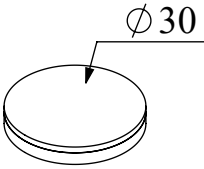
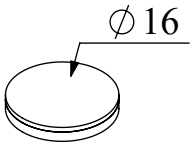
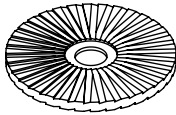


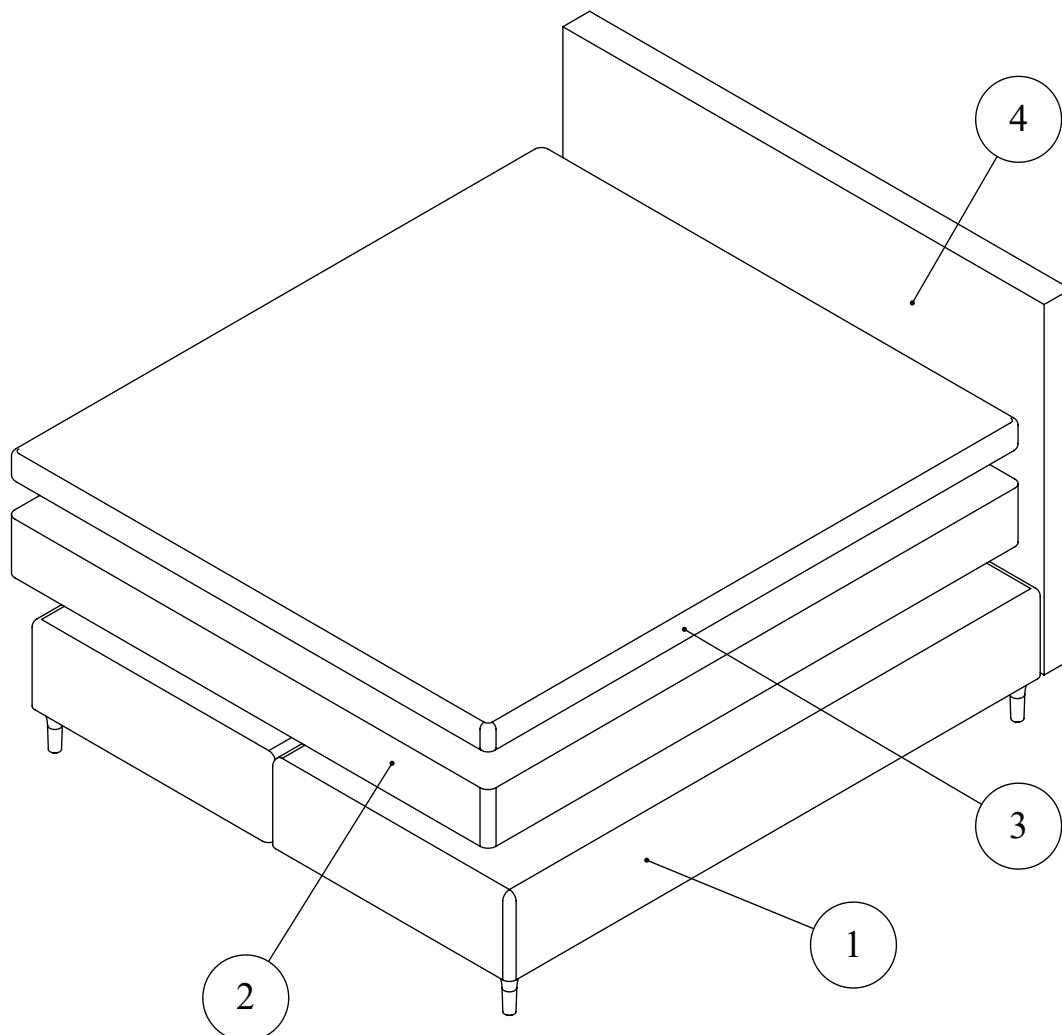
✓ 72h

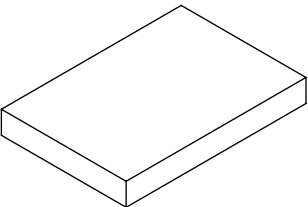
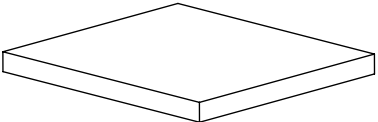
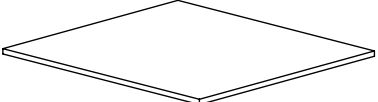
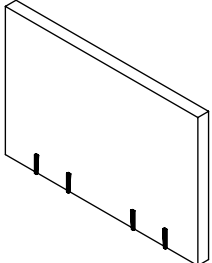




30 min

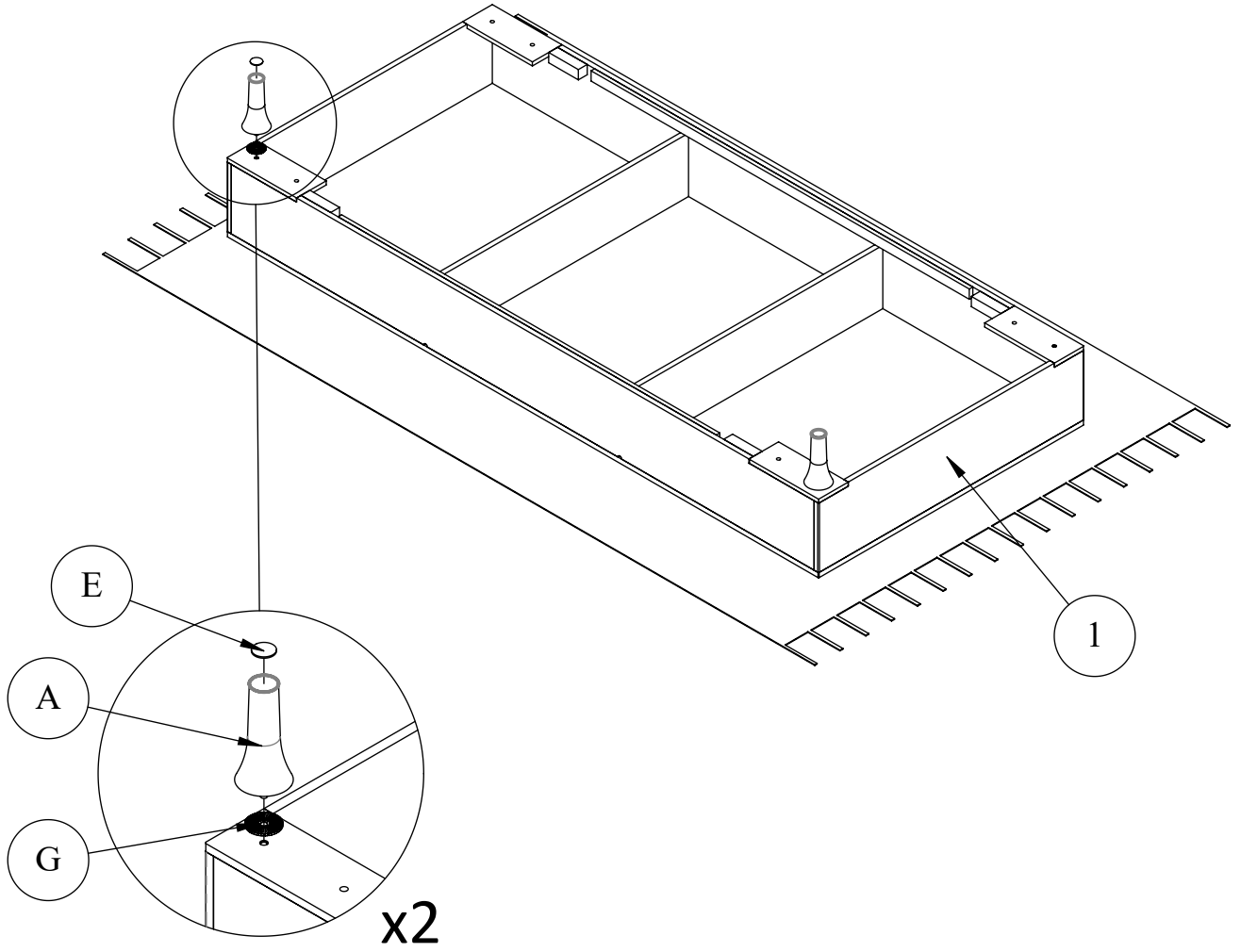
			 <p>5x30</p>
<p>A x 4 (C1/C2)</p>	<p>B x 2 (C4)</p>	<p>C x 2 (C1/C2)</p>	<p>D x 4 (C1/C2)</p>
 <p>∅30</p>	 <p>∅16</p>		
<p>E x 6 (C1/C2/C4)</p>	<p>F x 2 (C1/C2)</p>	<p>G x 4 (C1/C2)</p>	

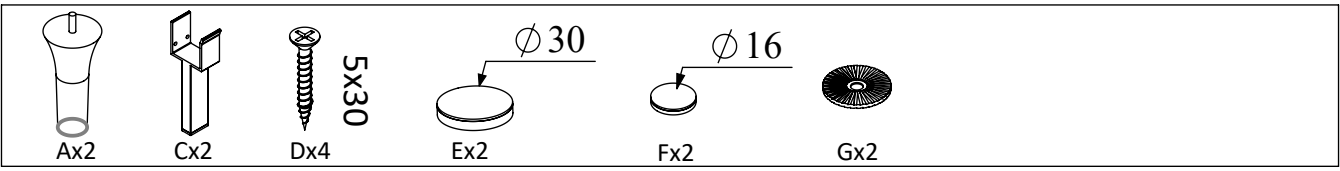


			
1 x 2 (C1/C2)	2 x 1 (C3)	3 x 1 (C3)	4 x 1 (C4)

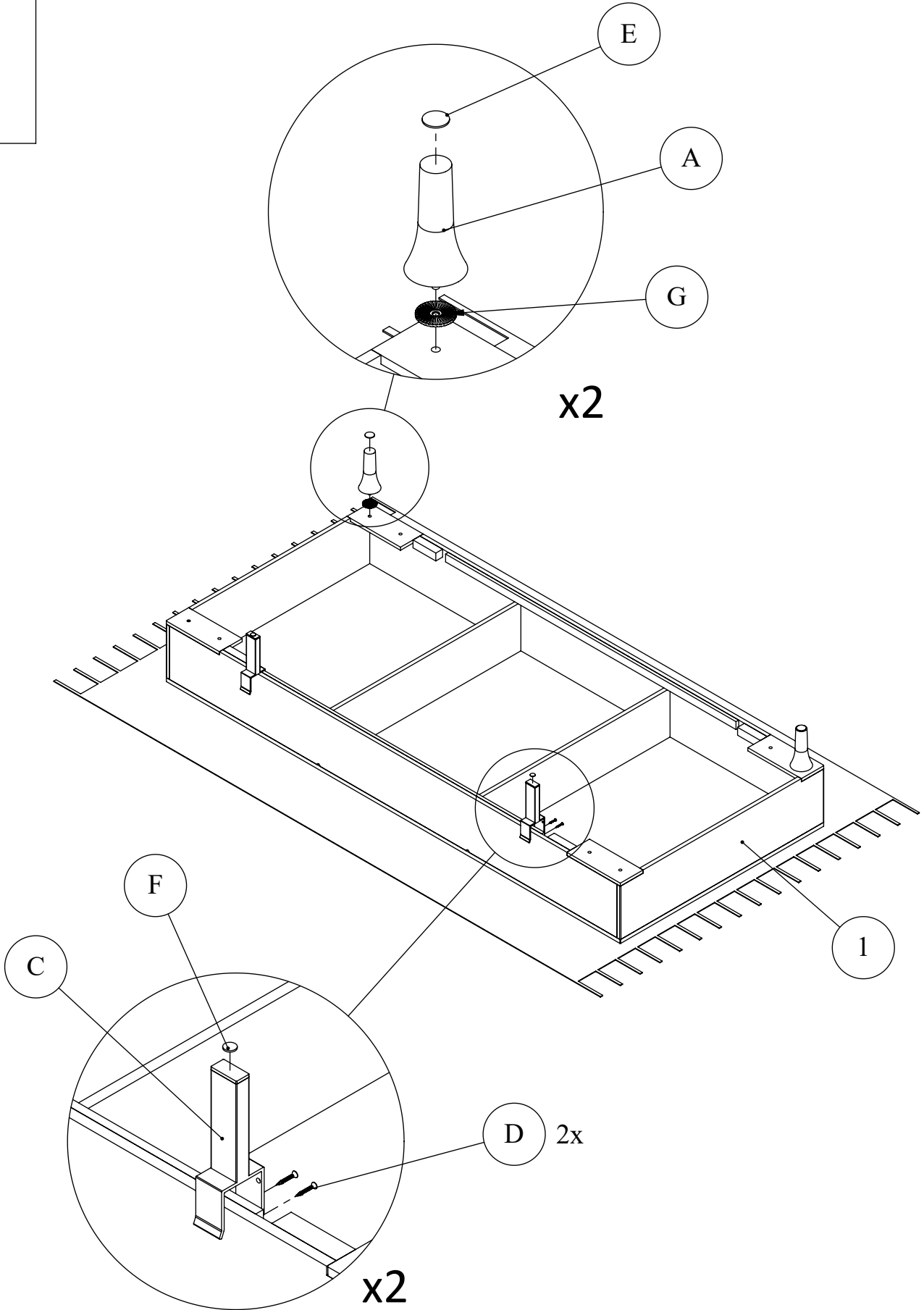


1



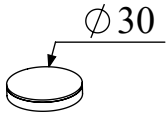


2





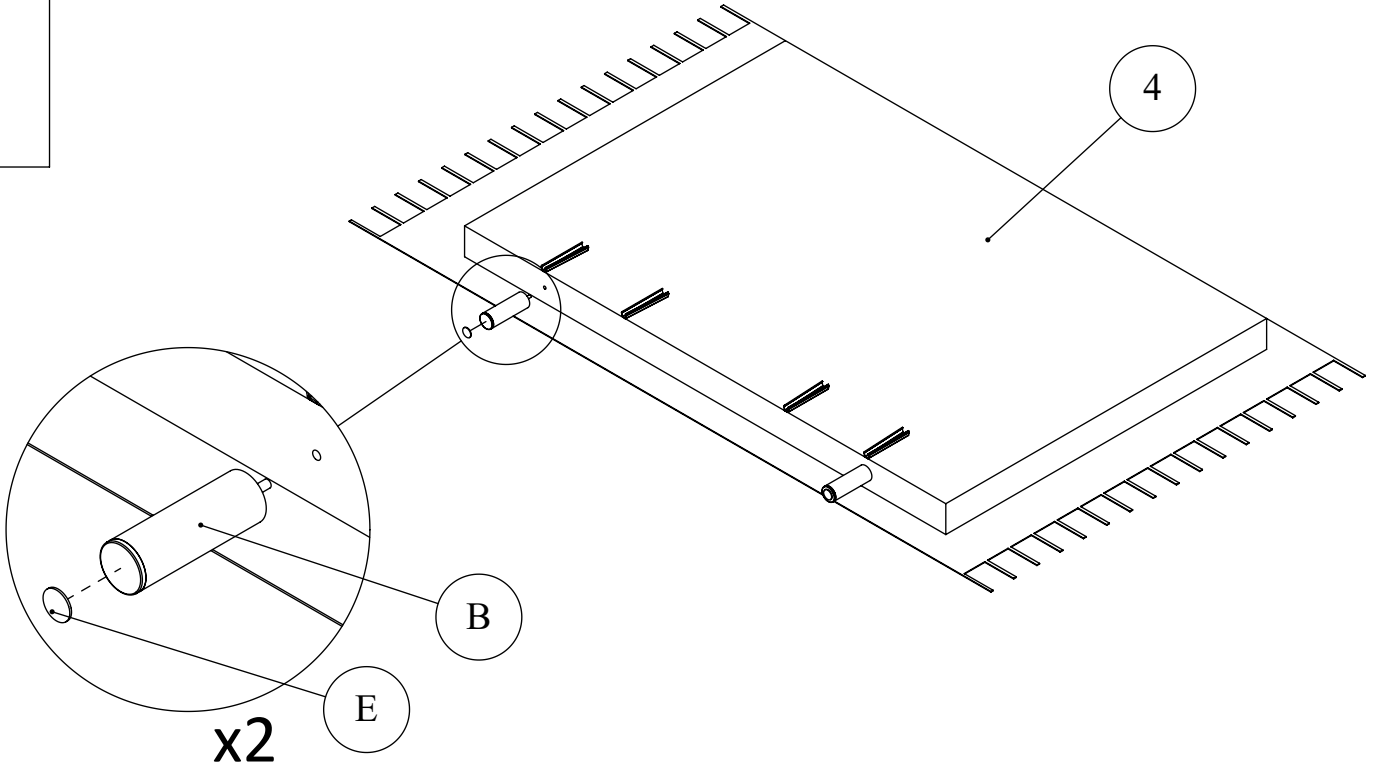
Bx2



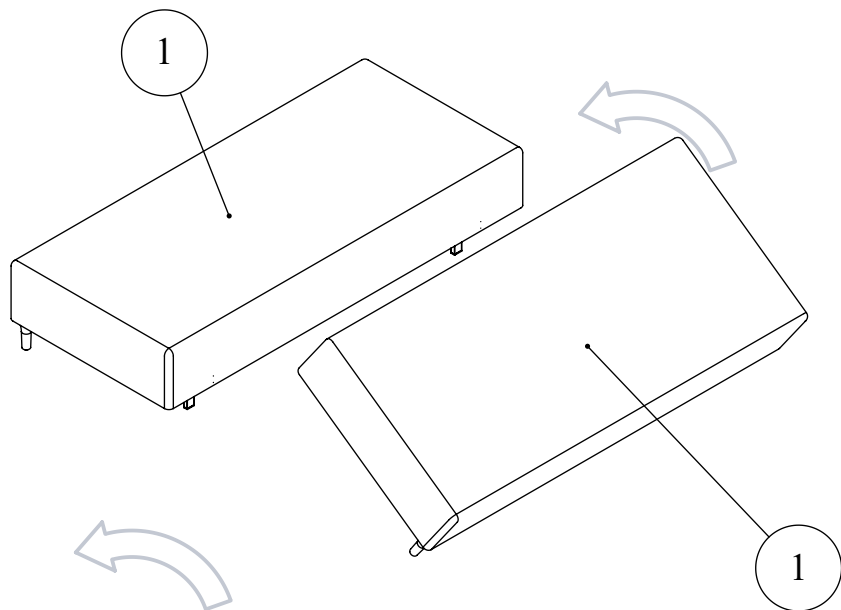
Ex2

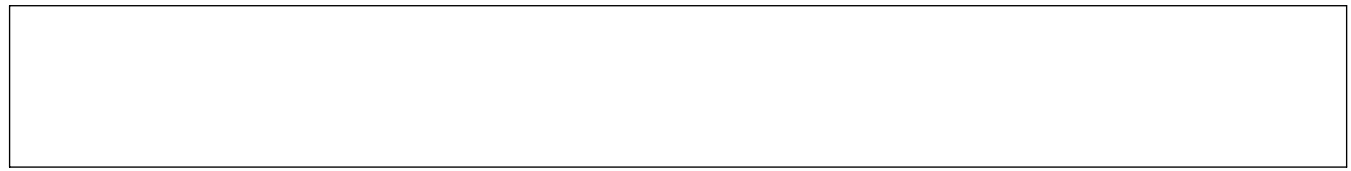
Ø 30

3

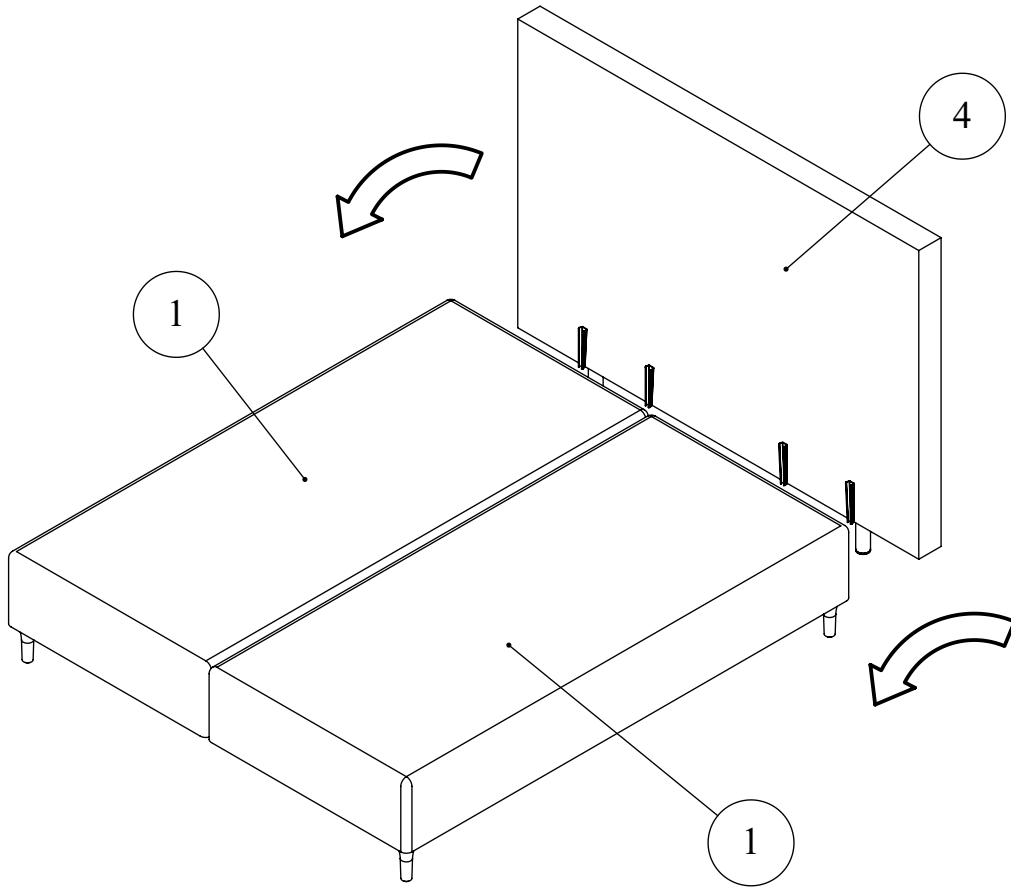


4

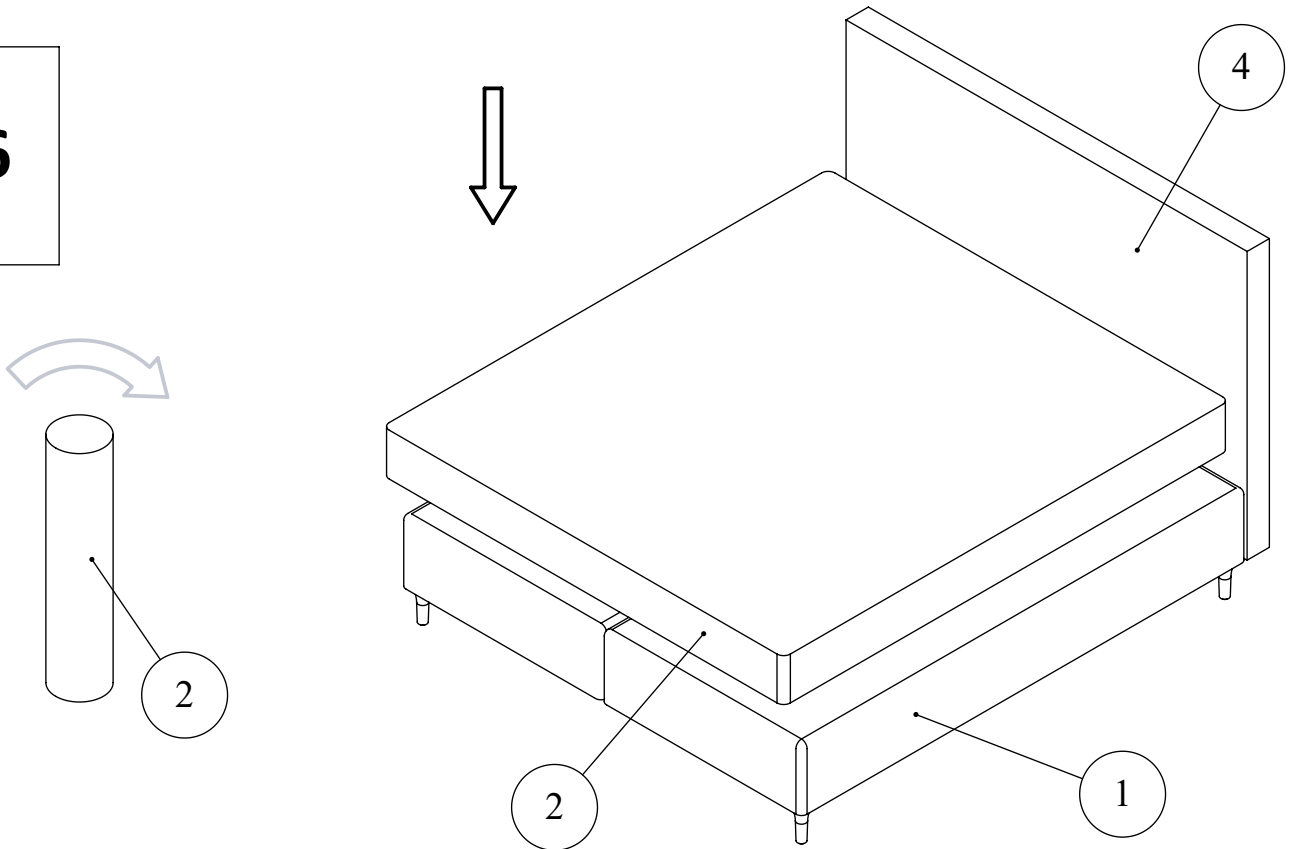




5



6



7

