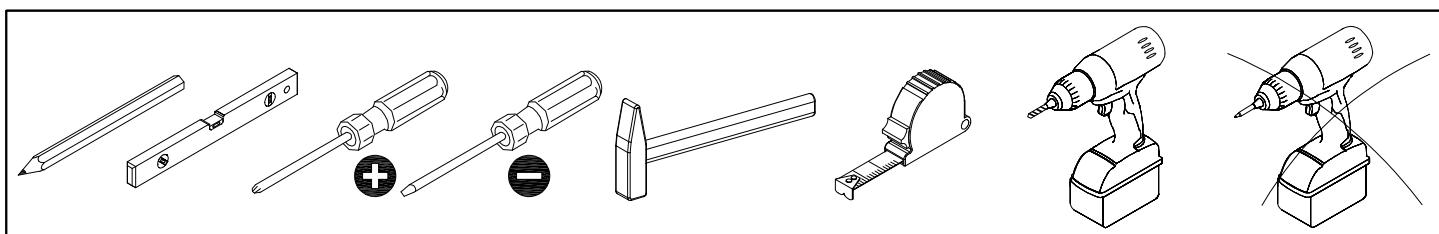
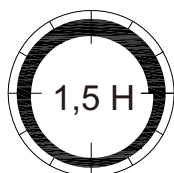
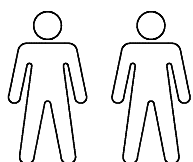
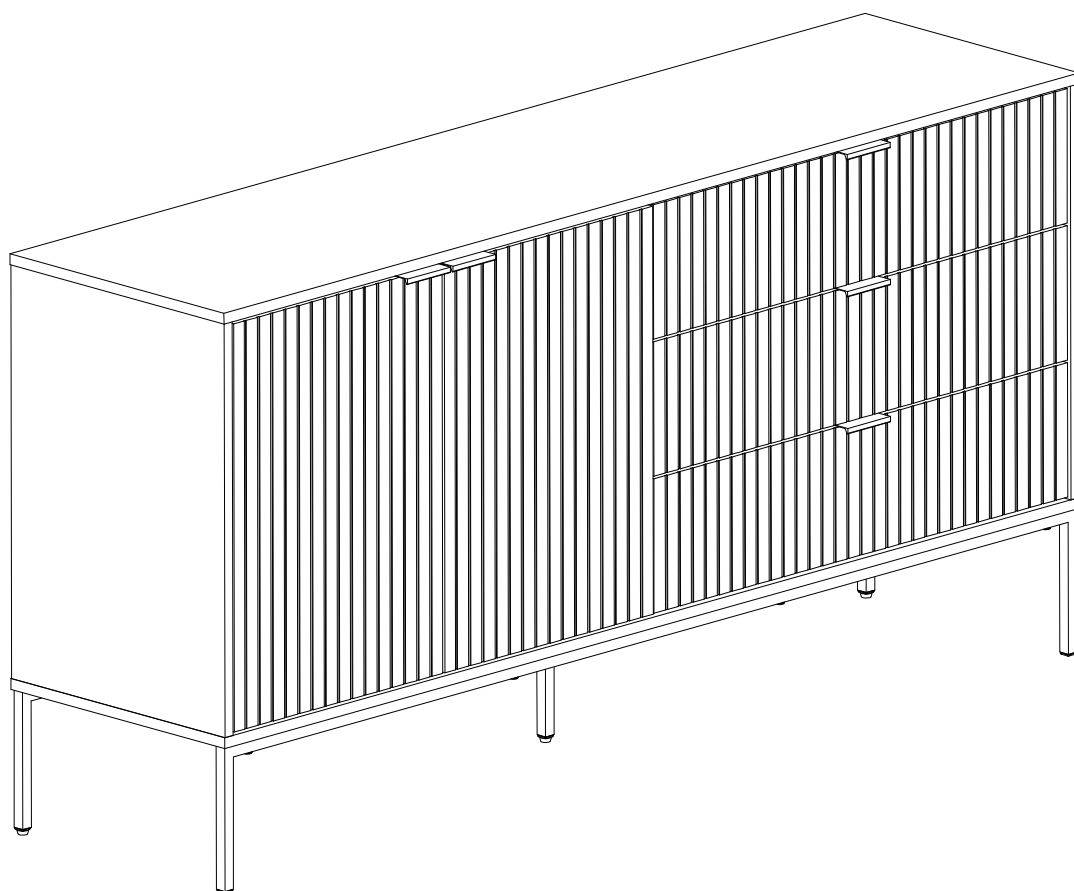
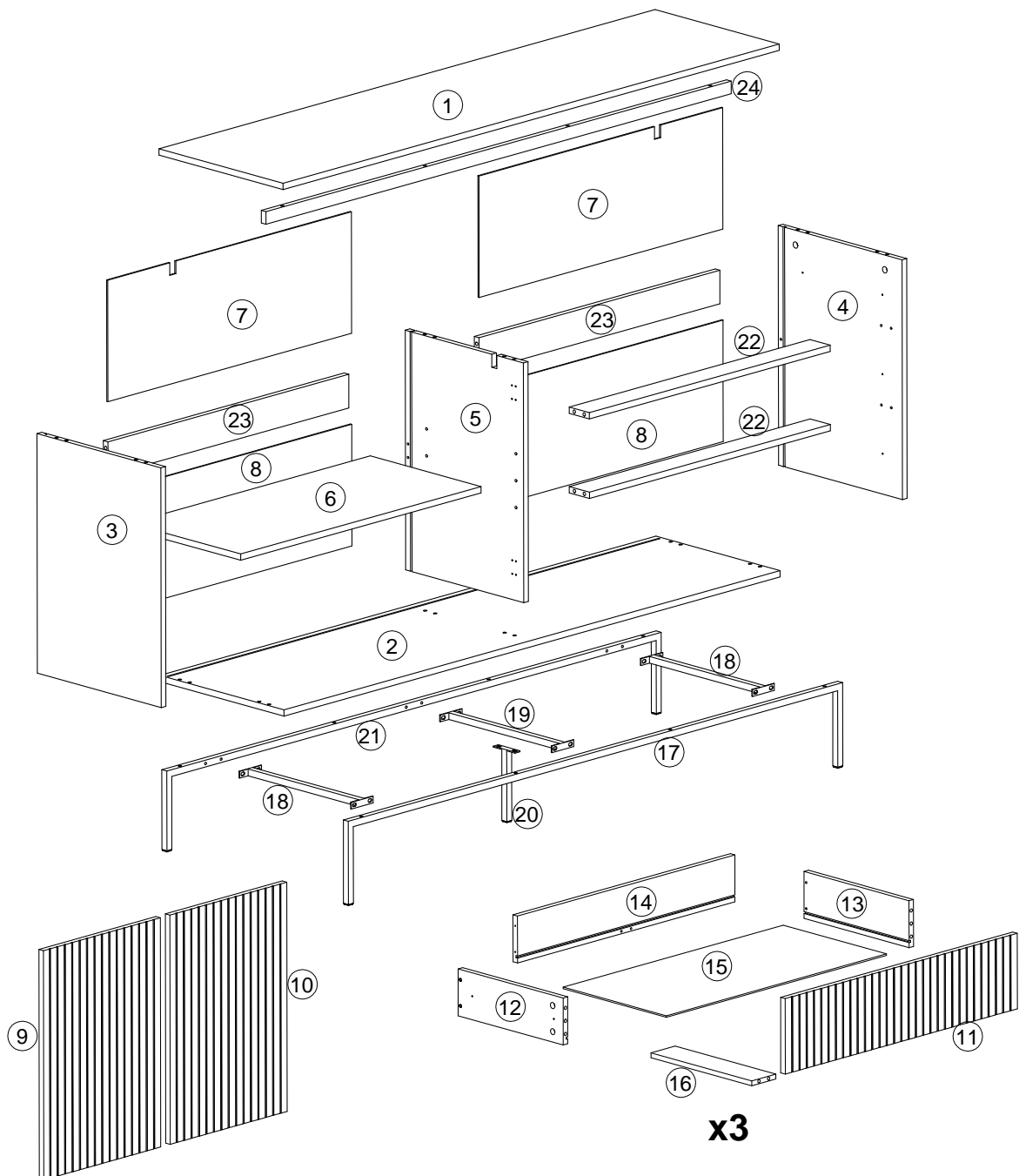


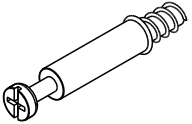
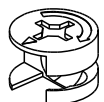
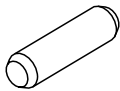
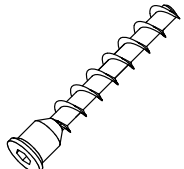
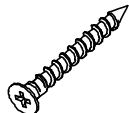

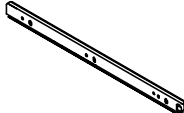
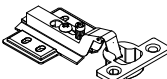

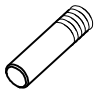
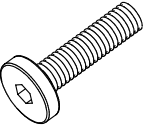
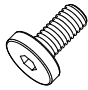
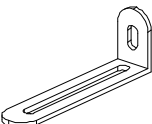
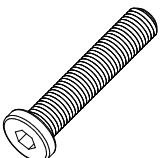
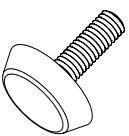


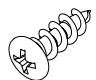

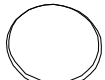
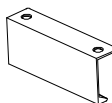
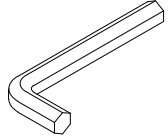


SEAFORD



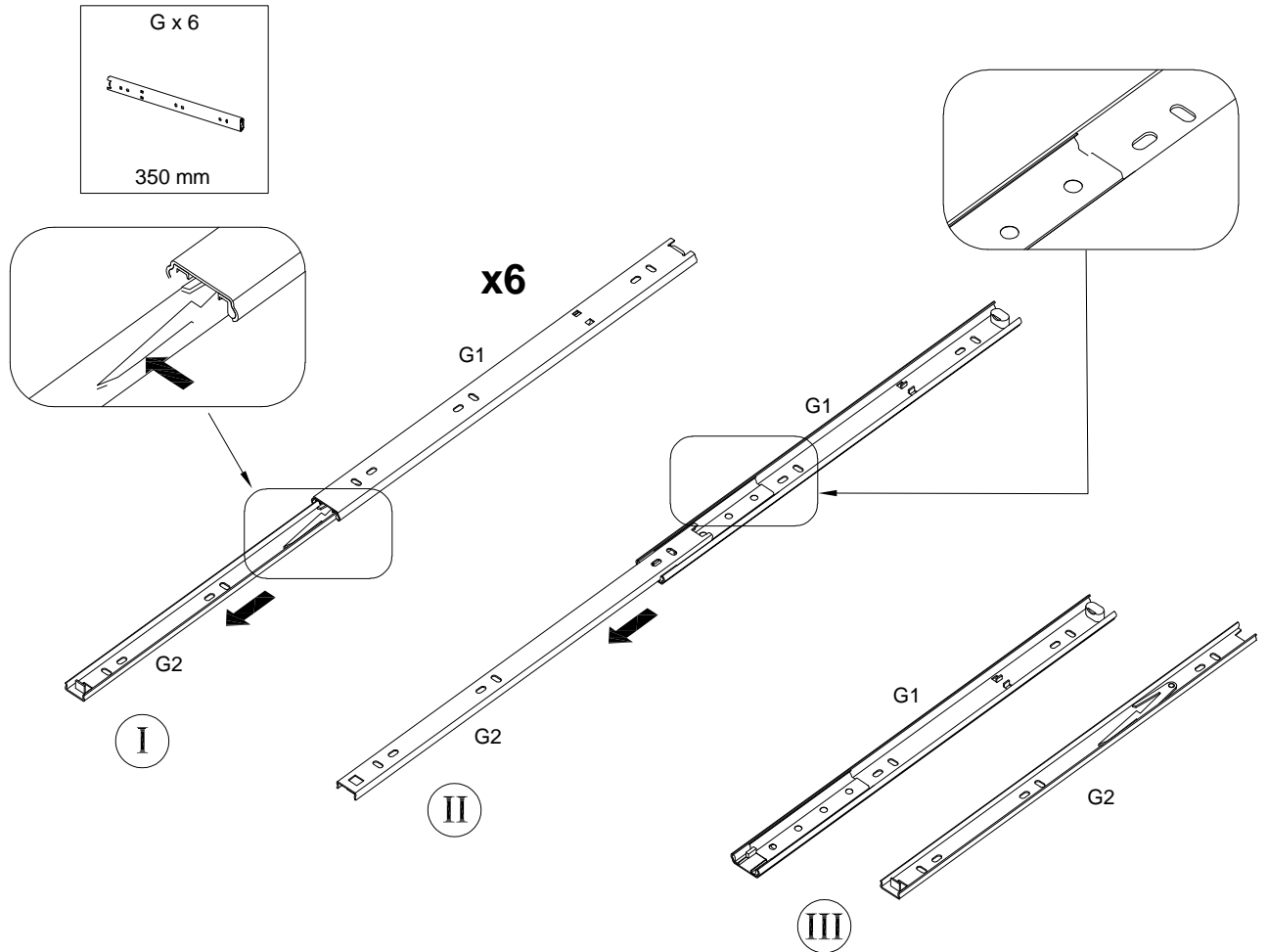
			✓
①	1	1600x400x15	
②	1	1600x400x15	
③	1	570x399x15	
④	1	570x399x15	
⑤	1	570x380x15	
⑥	1	775x357x15	
⑦	1	785x289x3.75	
⑧	1	785x289x3.75	
⑨	1	562x390x15	
⑩	1	562x390x15	
⑪	3	774x185x15	
⑫	3	350x115x15	

			✓
⑬	3	350x115x15	
⑭	3	725x115x15	
⑮	3	734x344x3.75	
⑯	3	336x80x12	
⑰	1	1594x200x16	
⑱	2	362x70x16	
⑲	1	362x70x16	
⑳	1	174x70x16	
㉑	1	1594x192x16	
㉒	2	776x65x15	
㉓	2	776x80x15	
㉔	1	1506x30x15	

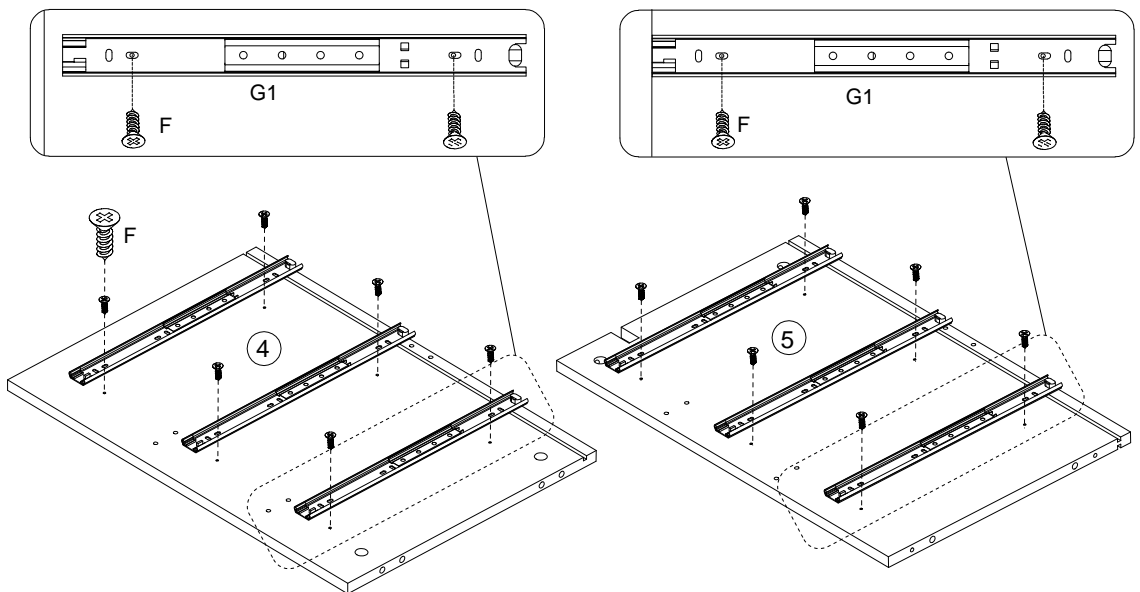
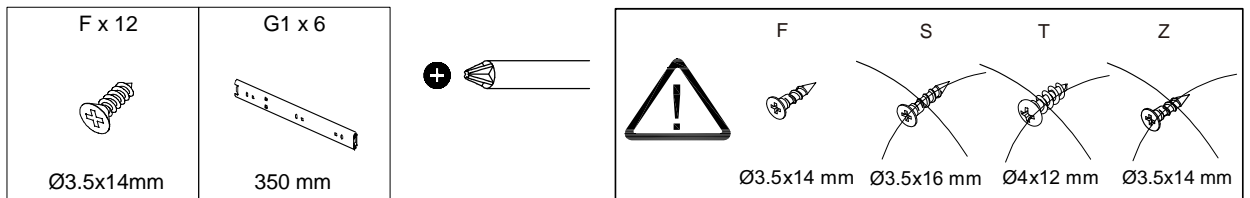


<p>A x 40</p>  <p>Ø6.3x45 mm</p>	<p>B x 34</p>  <p>Ø15x12 mm</p>	<p>C x 18</p>  <p>Ø8x30 mm</p>	<p>D x 6</p>  <p>Ø7x48 mm</p>	<p>E x 18</p>  <p>Ø4x35 mm</p>
<p>F x 54</p>  <p>Ø3.5x14 mm</p>	<p>G x 6</p>  <p>350 mm</p>	<p>H x 2</p>  <p>Ø35 FK9 mm</p>	<p>J x 2</p>  <p>Ø35 FK17 mm</p>	<p>K x 4</p>  <p>Ø5x20 mm</p>
<p>L x 8</p>  <p>M6x25 mm</p>	<p>M x 14</p>  <p>M6x15 mm</p>	<p>N x 2</p>  <p>75x25x15 mm</p>	<p>P x 4</p>  <p>M6x40 mm</p>	<p>Q x 3</p>  <p>Ø13x6/M6x11 mm</p>
<p>R x 8</p>  <p>9x9x14 mm</p>	<p>S x 8</p>  <p>Ø3.5x16 mm</p>	<p>T x 4</p>  <p>Ø4x12 mm</p>	<p>U x 14</p>  <p>Ø20 mm</p>	<p>V x 2</p>  <p>Ø10x3 mm</p>
<p>W x 5</p>  <p>80x32x18 mm</p>	<p>X x 1</p>  <p>4 mm</p>	<p>Y x 6</p>  <p>Ø15x10 mm</p>	<p>Z x 10</p>  <p>Ø3.5x14 mm</p>	

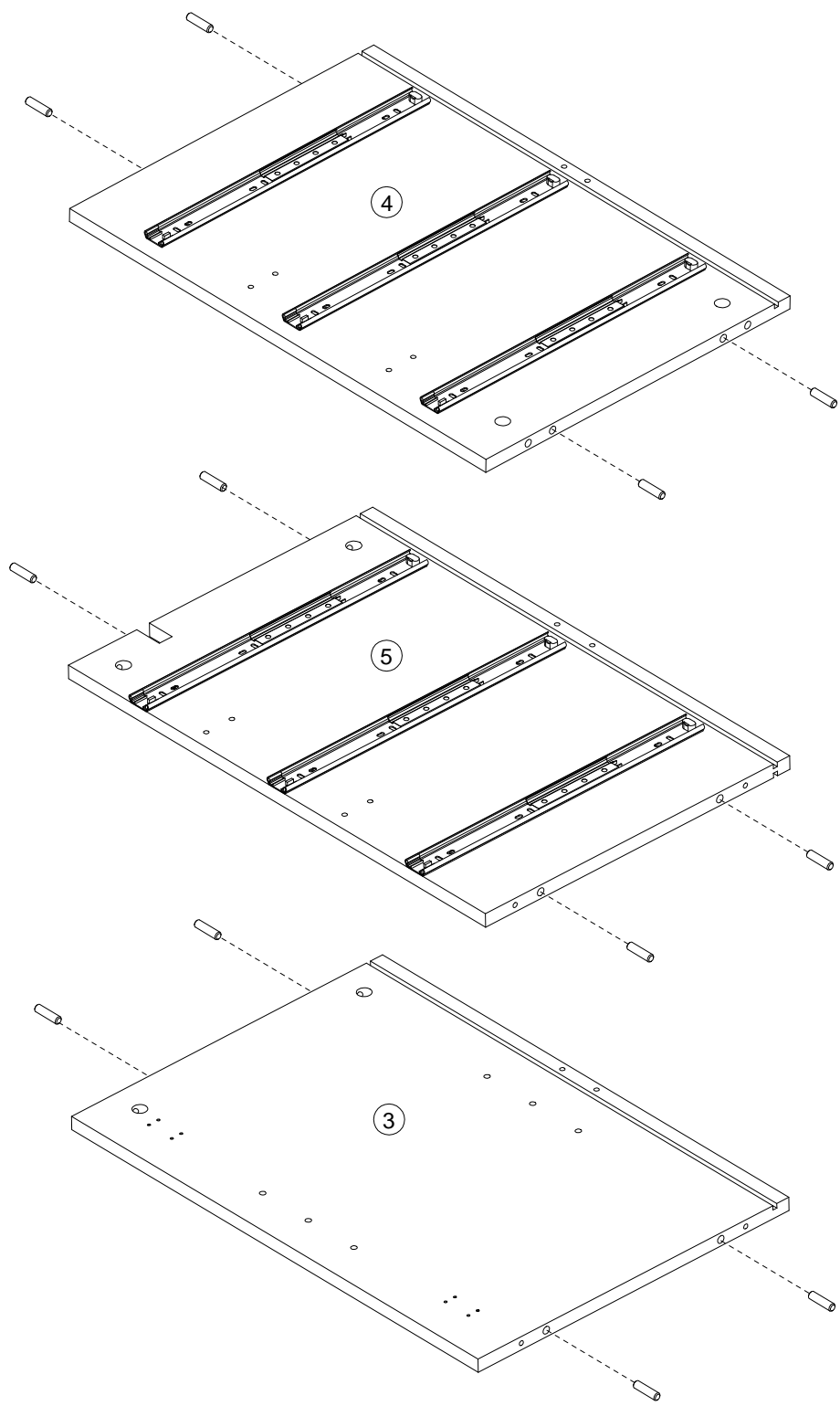
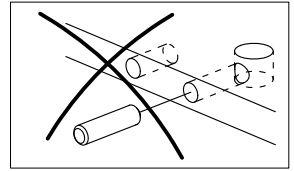
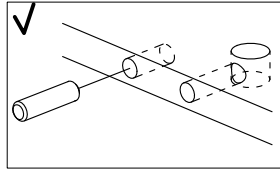
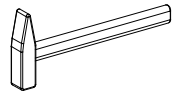
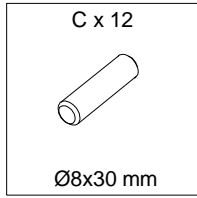
1



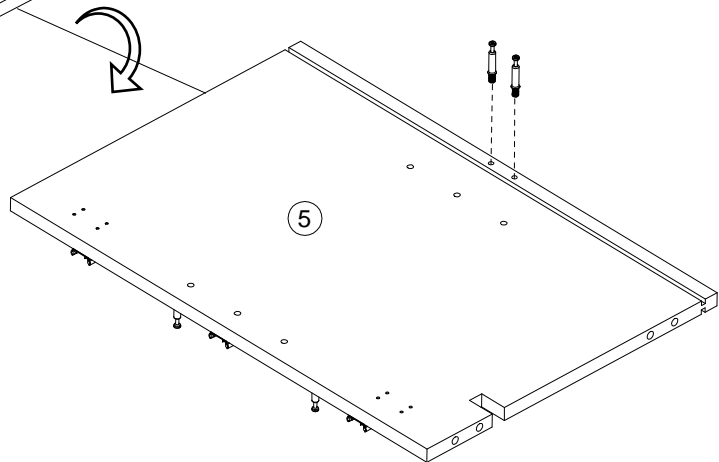
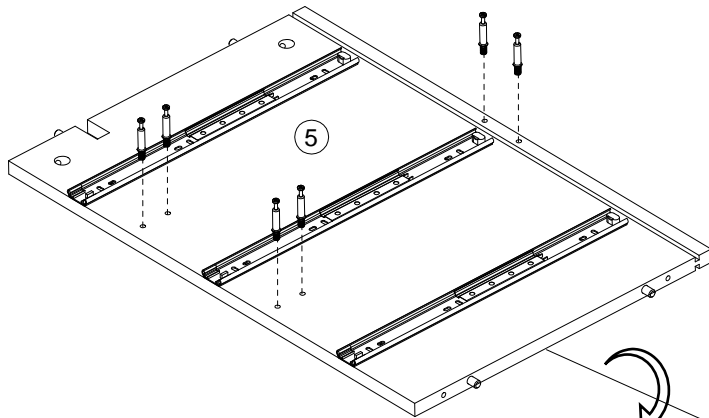
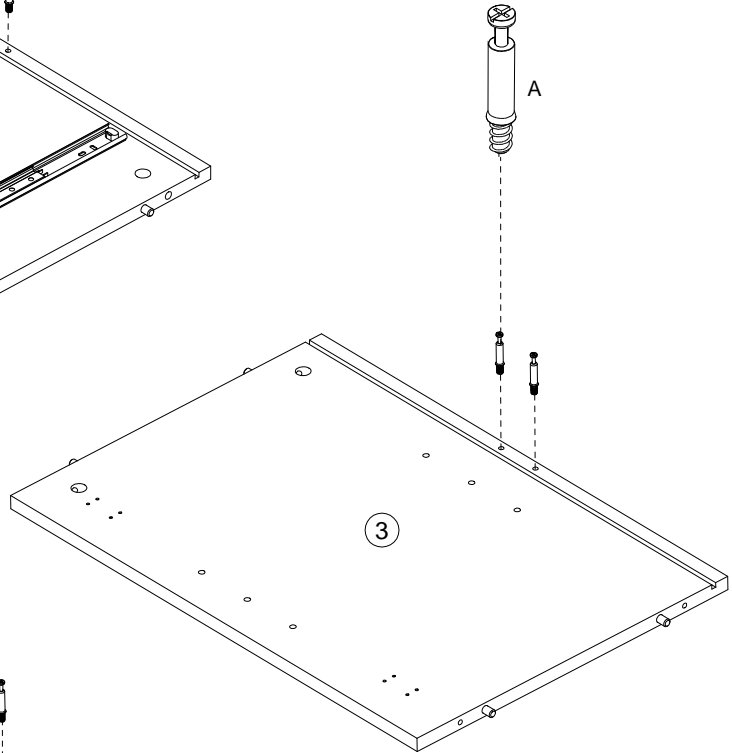
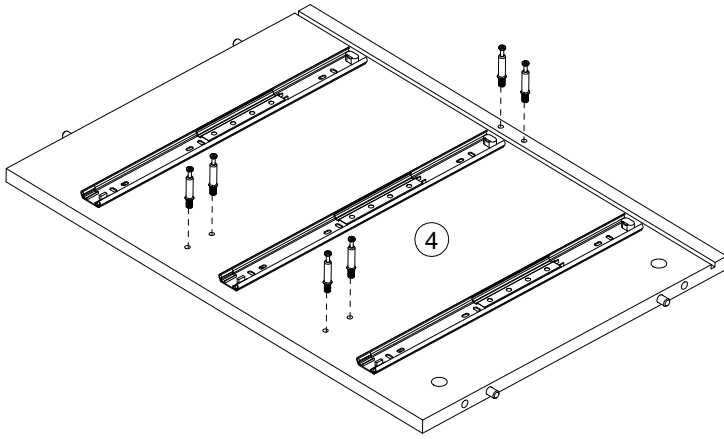
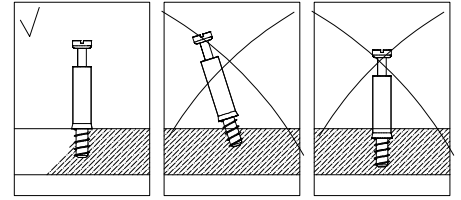
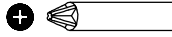
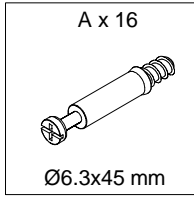
2



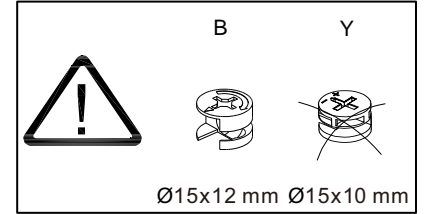
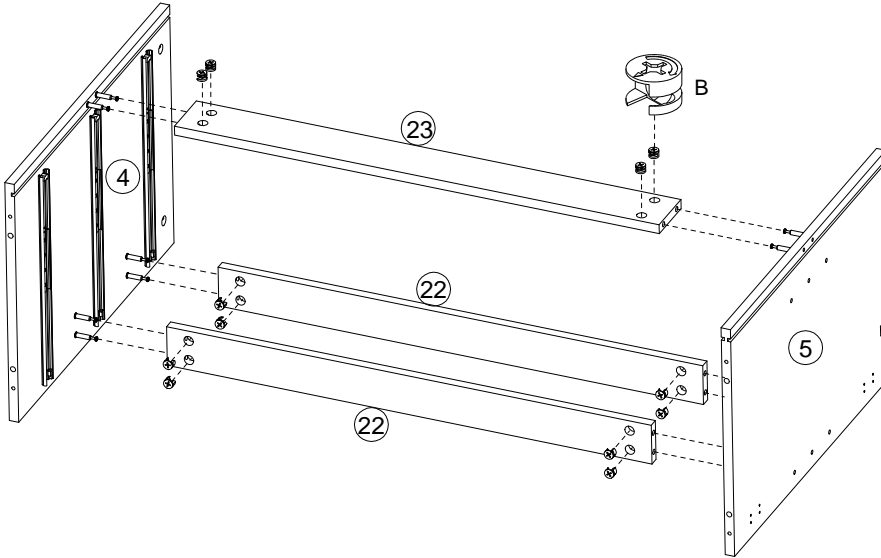
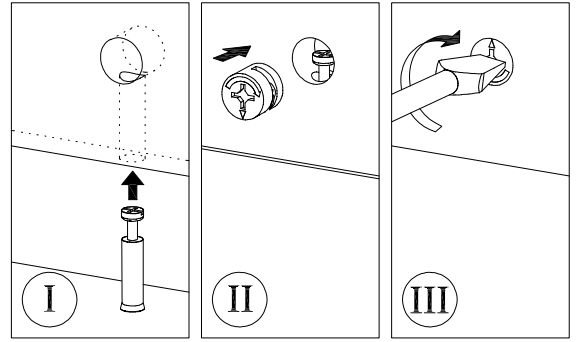
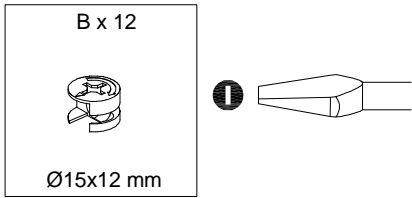
3



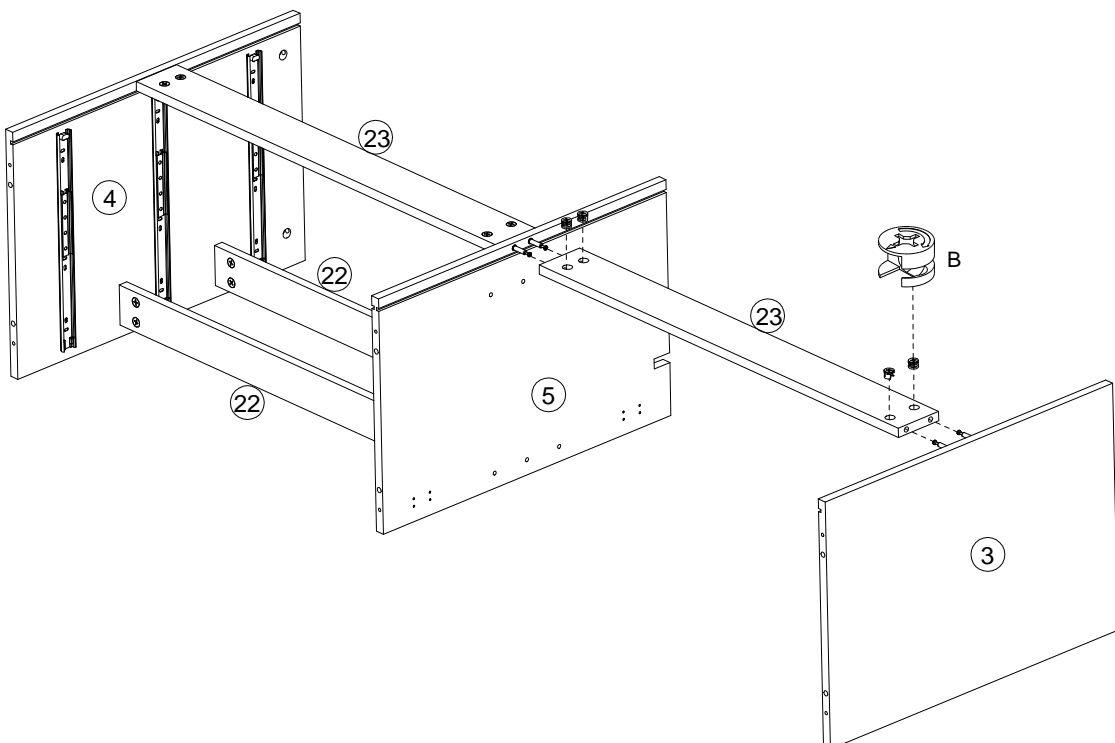
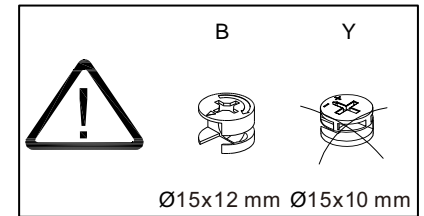
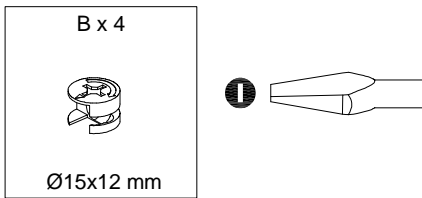
4



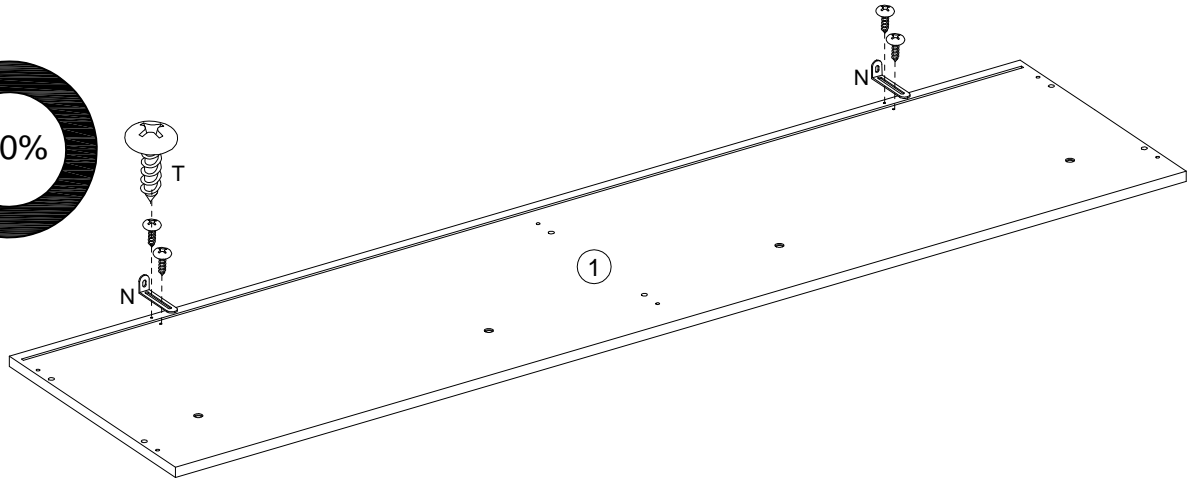
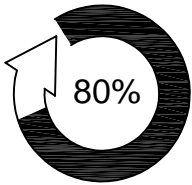
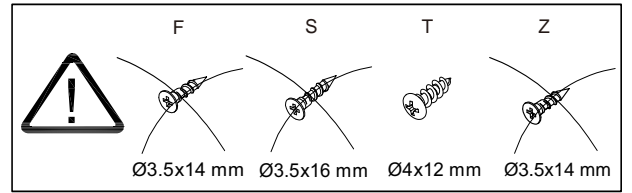
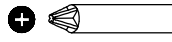
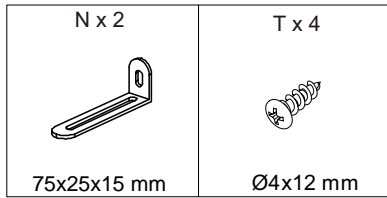
5



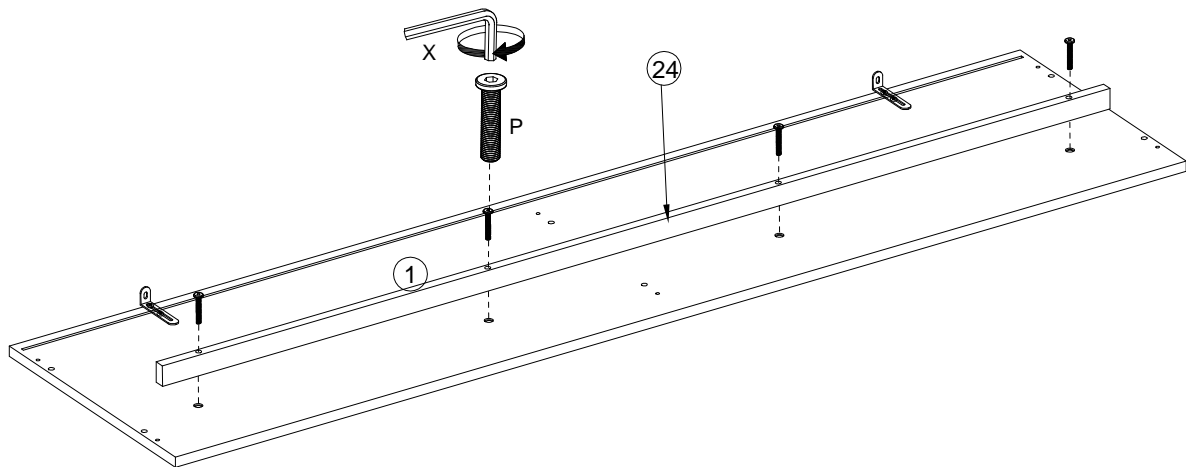
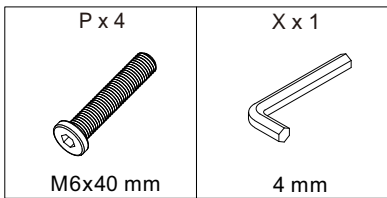
6



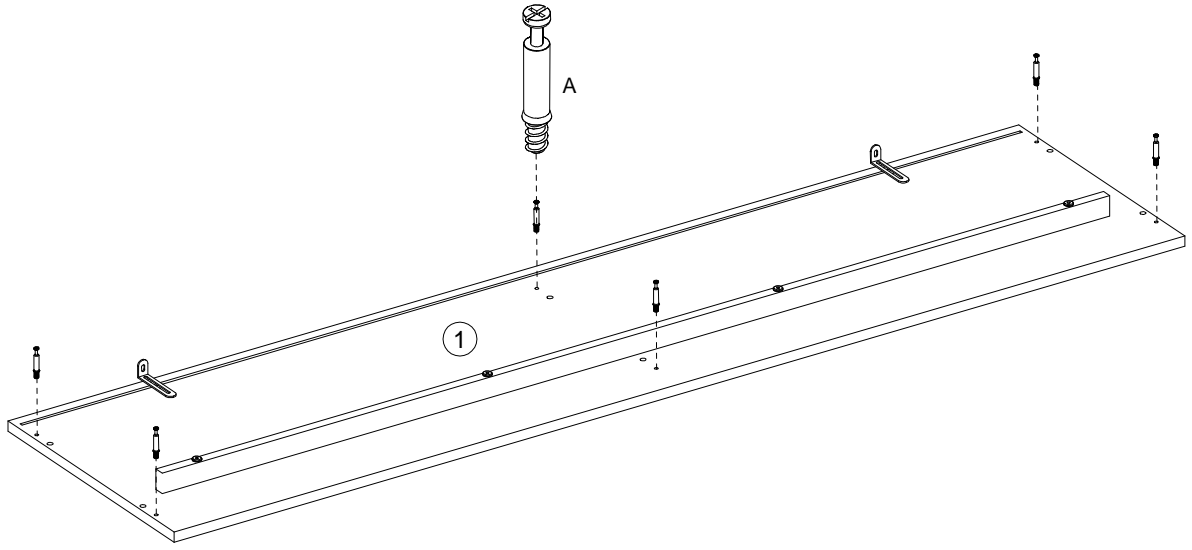
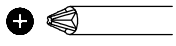
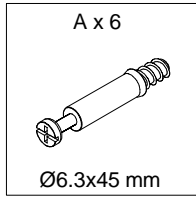
7



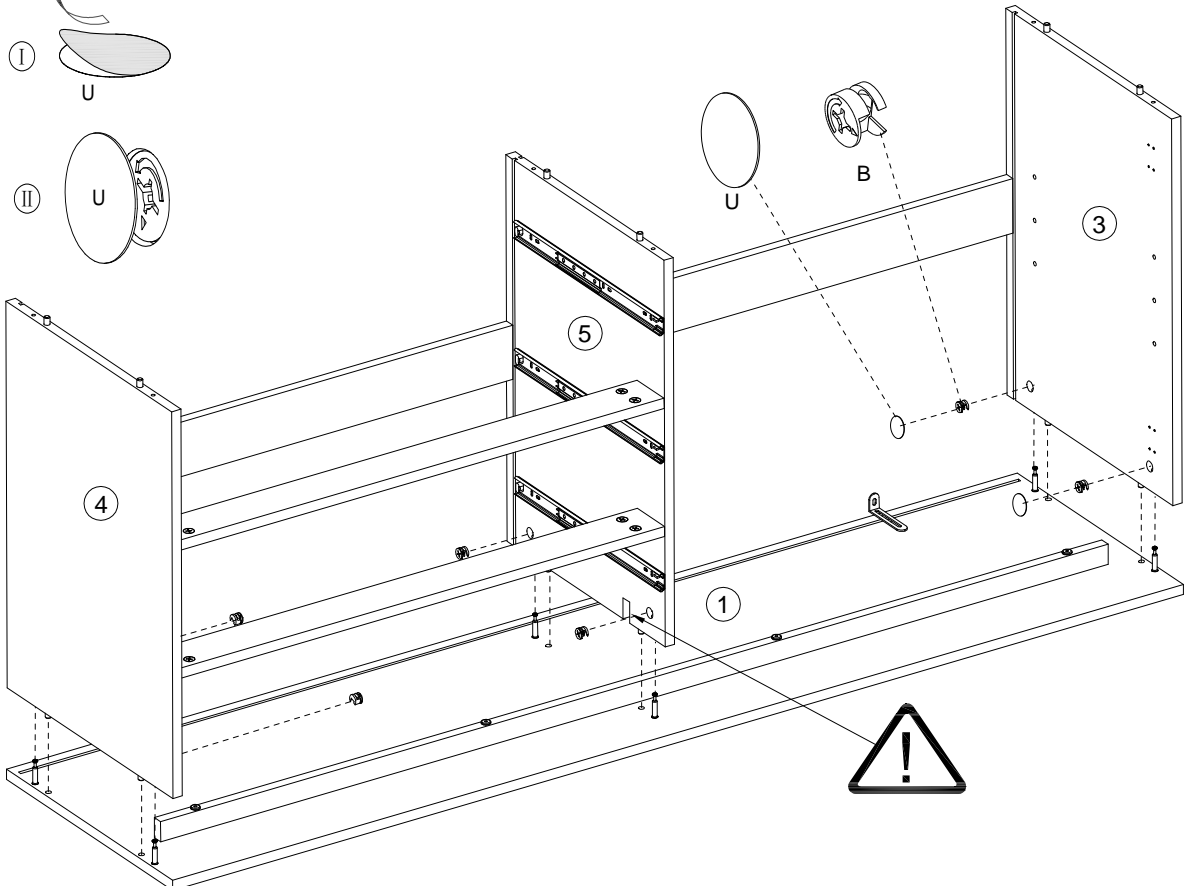
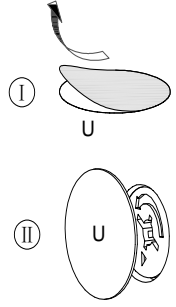
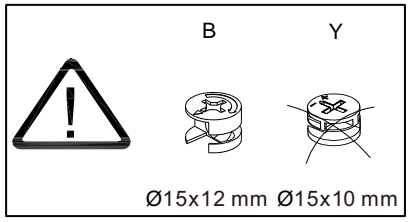
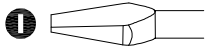
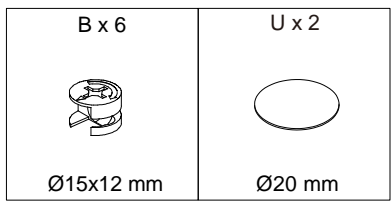
8

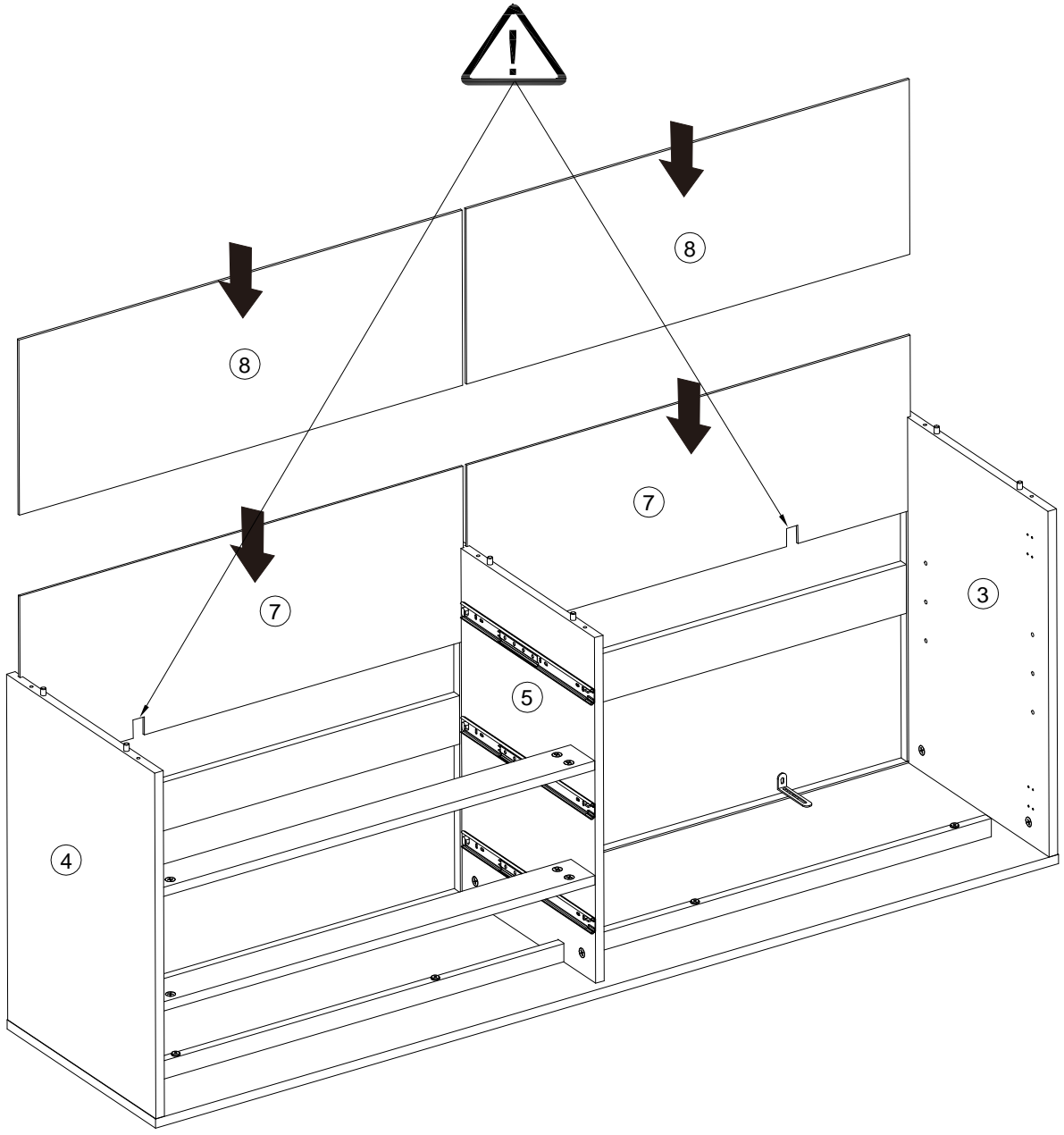


9

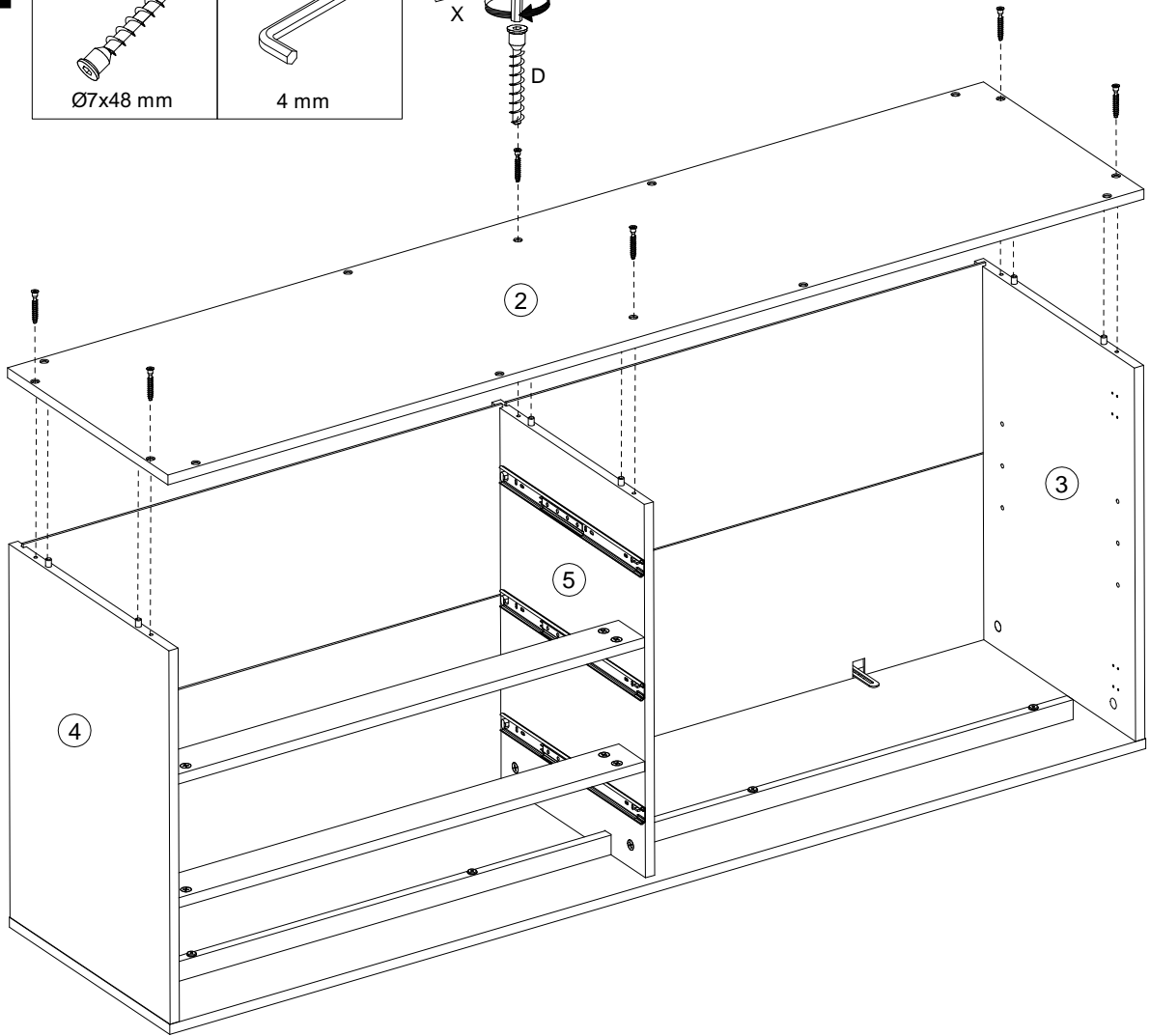
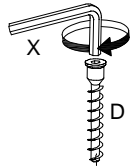
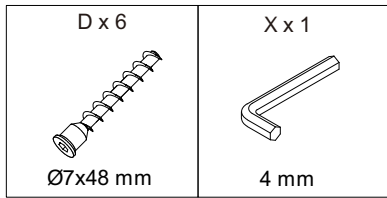


10

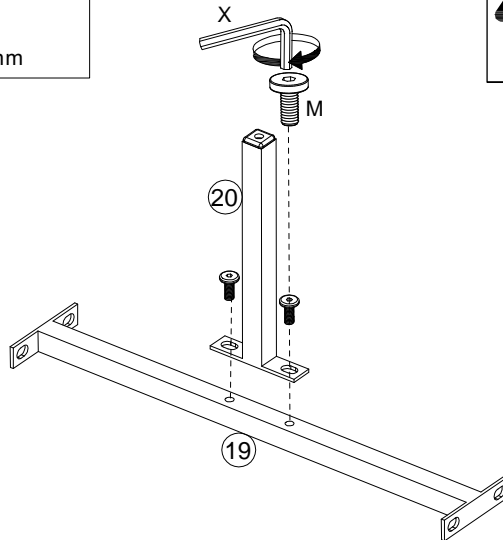
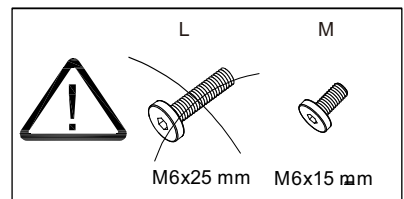
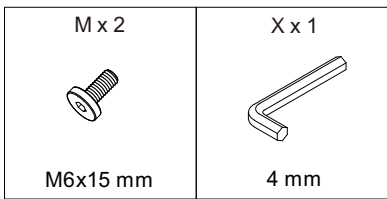




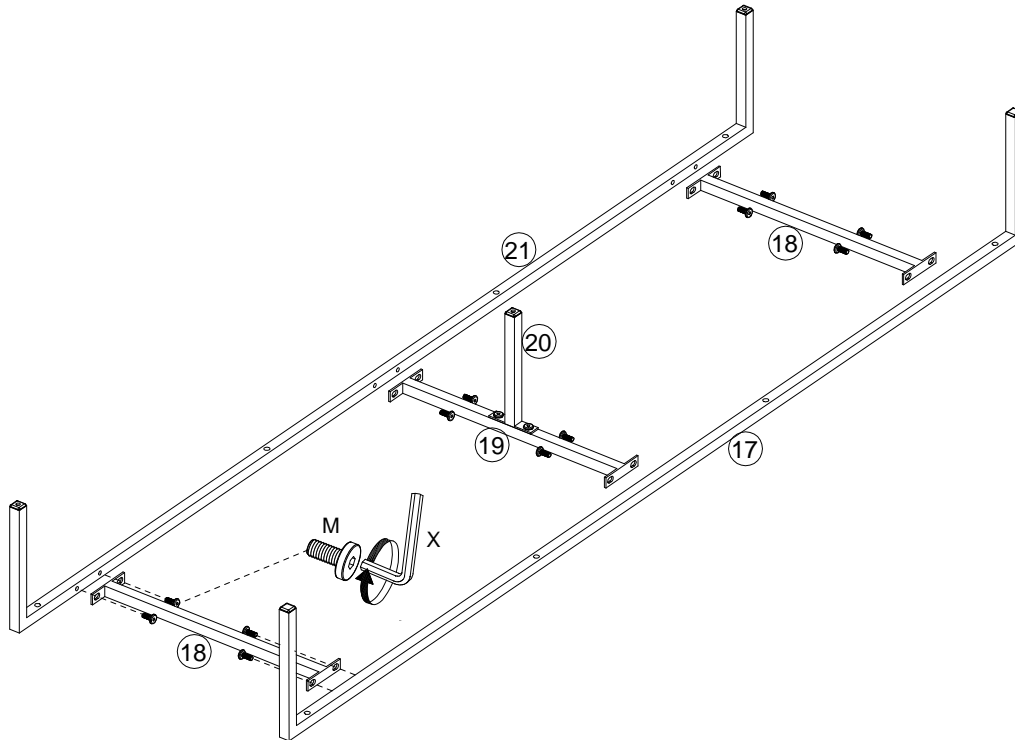
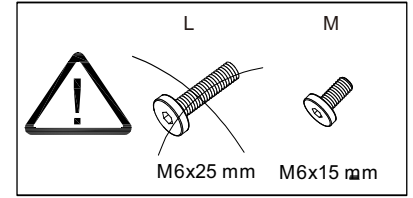
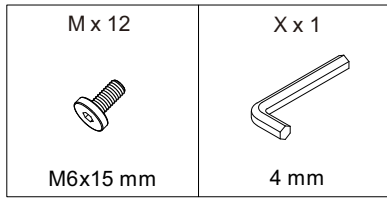
12



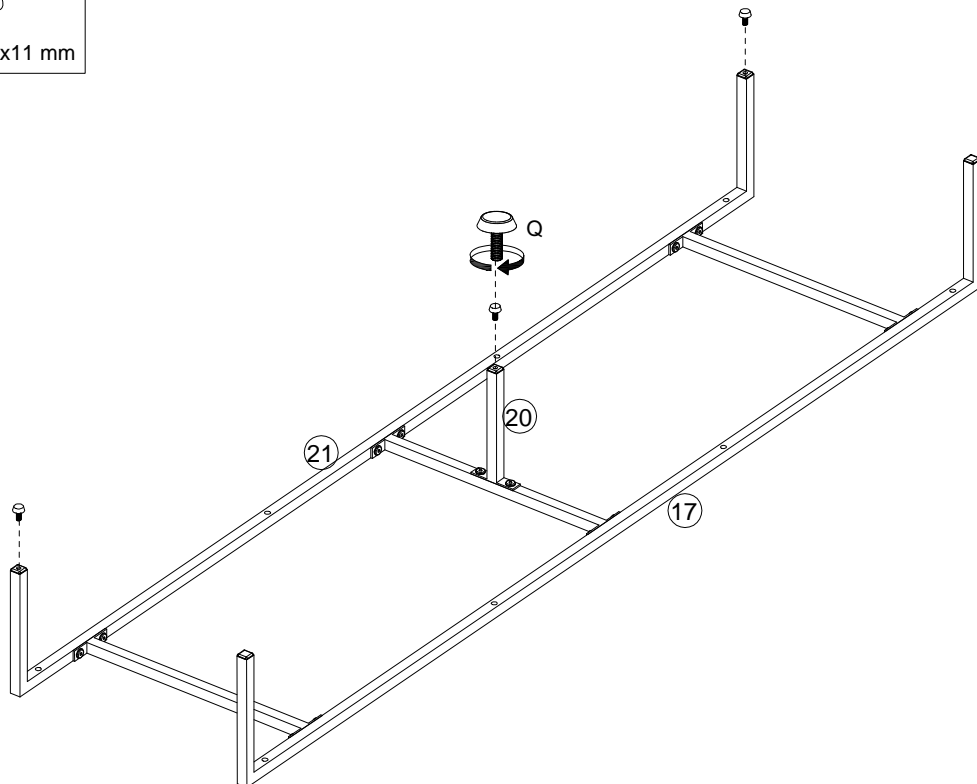
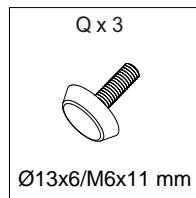
13




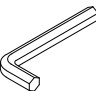
14

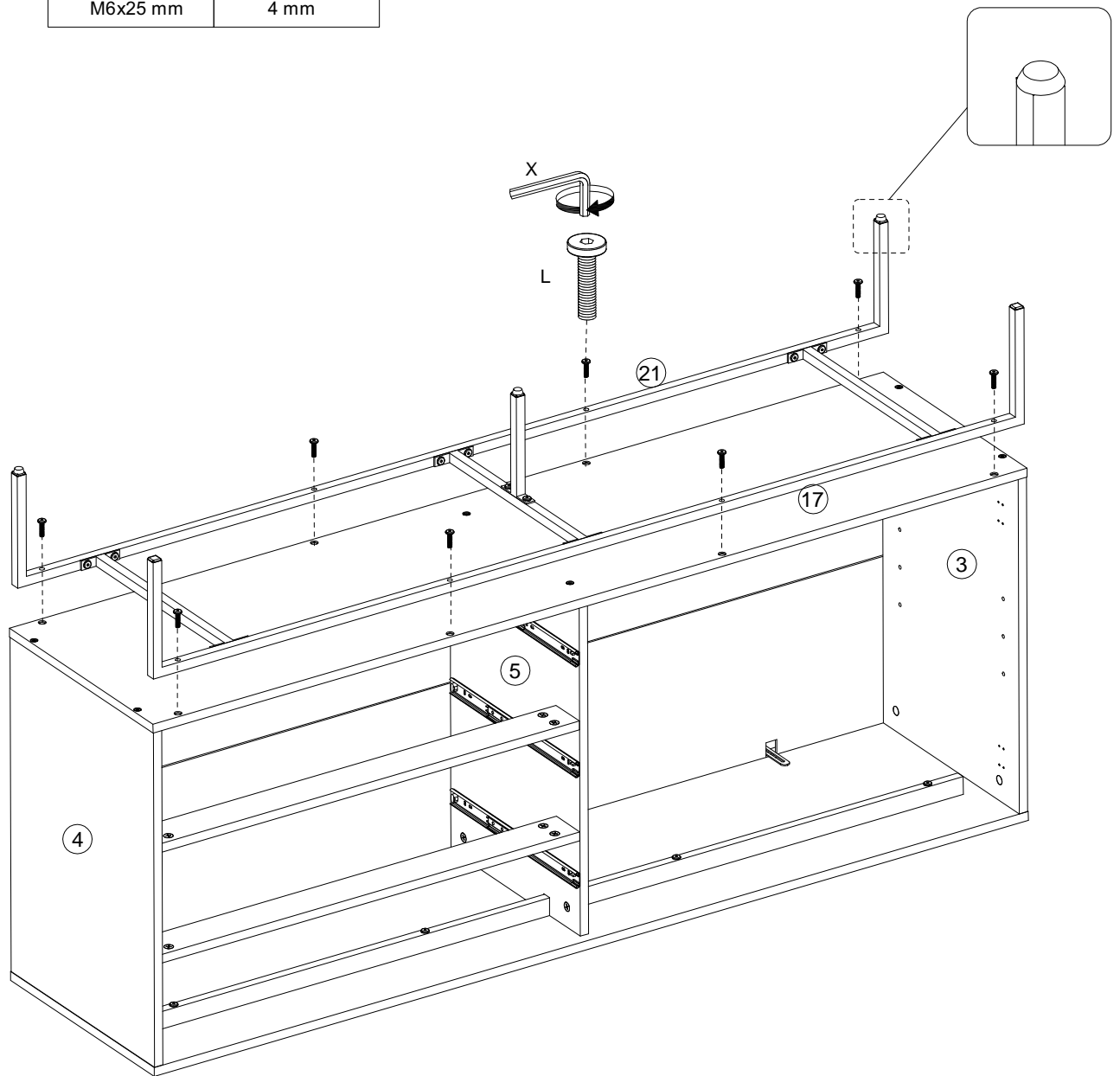


15

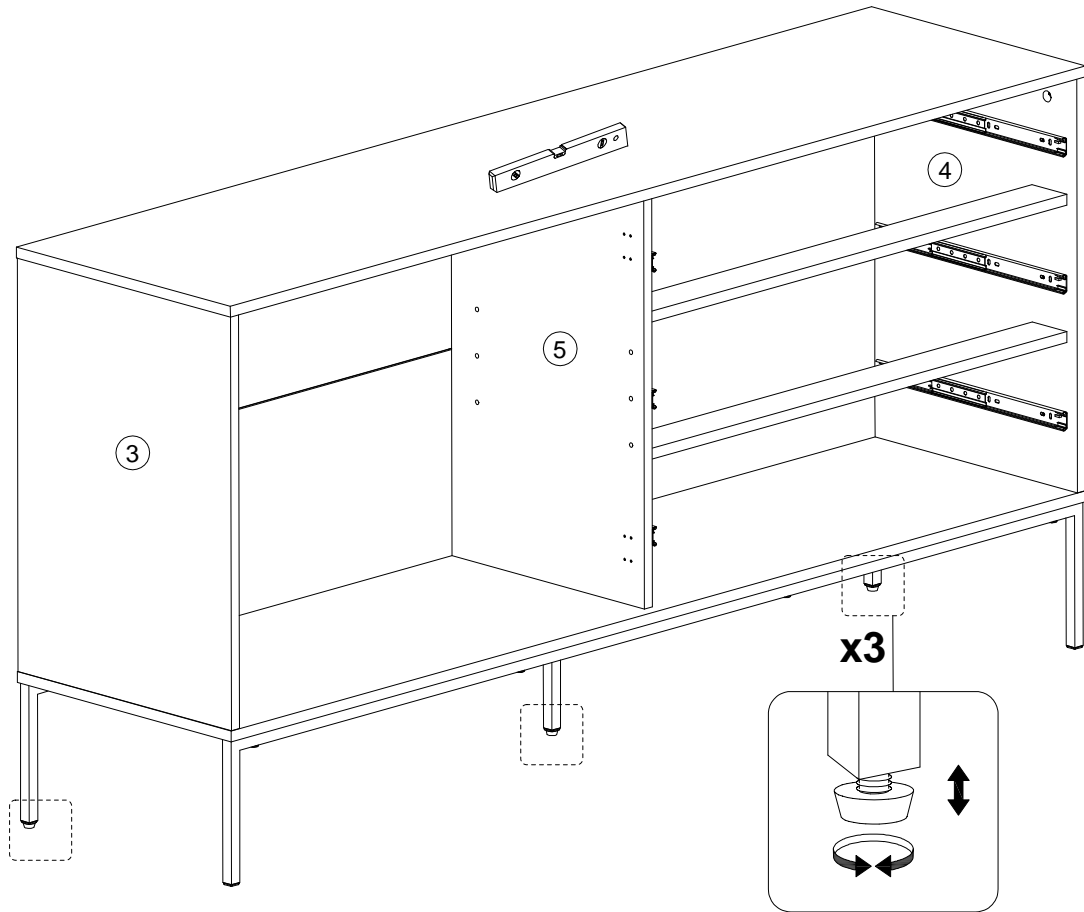
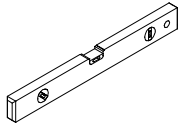


16

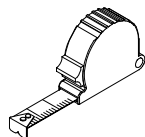
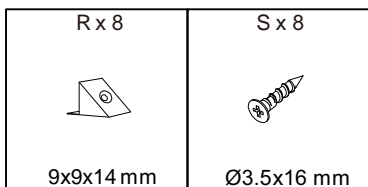
L x 8	X x 1
	
M6x25 mm	4 mm



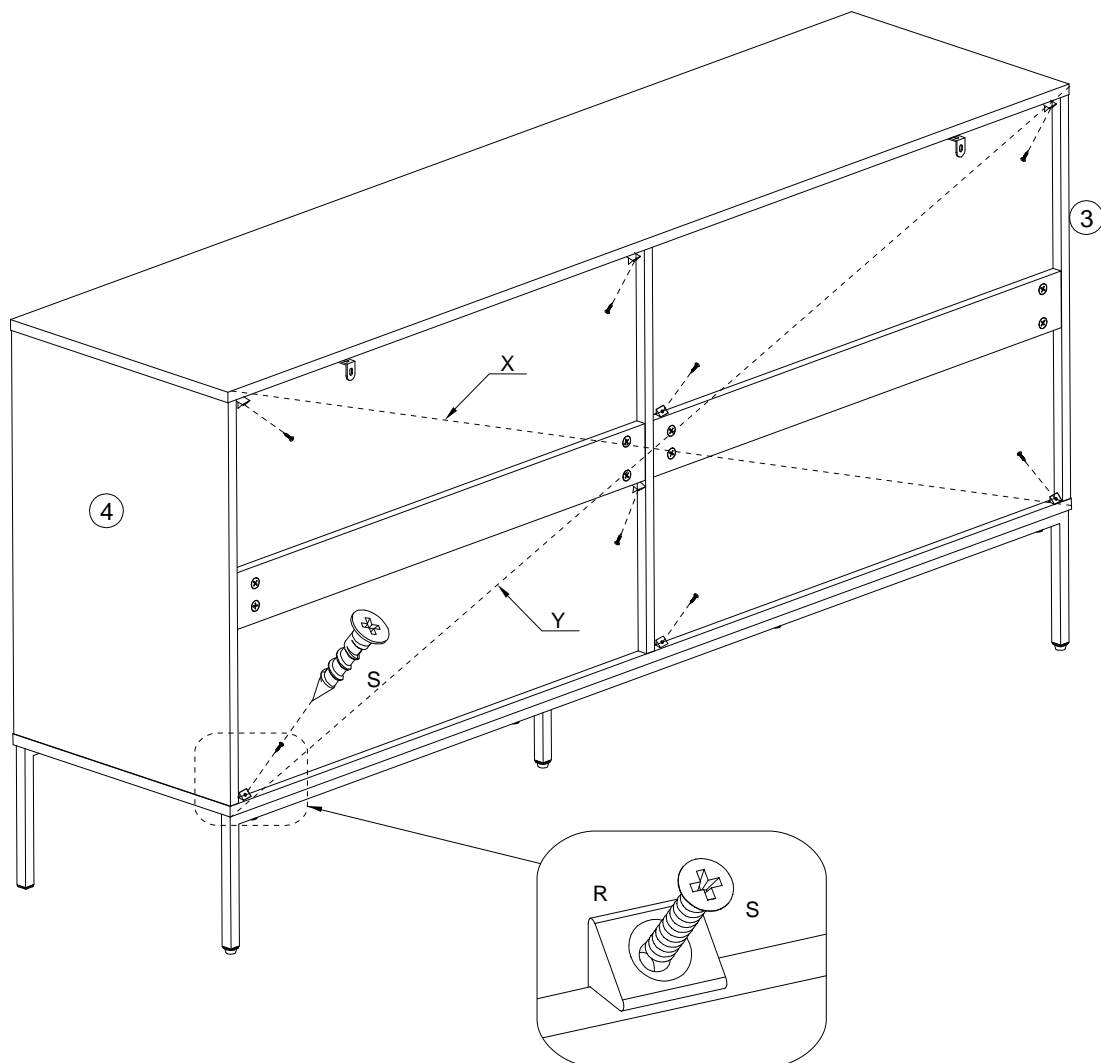
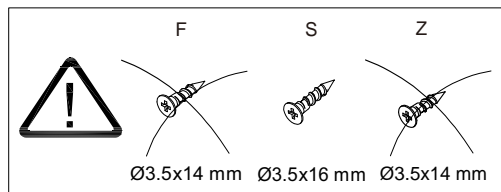
17



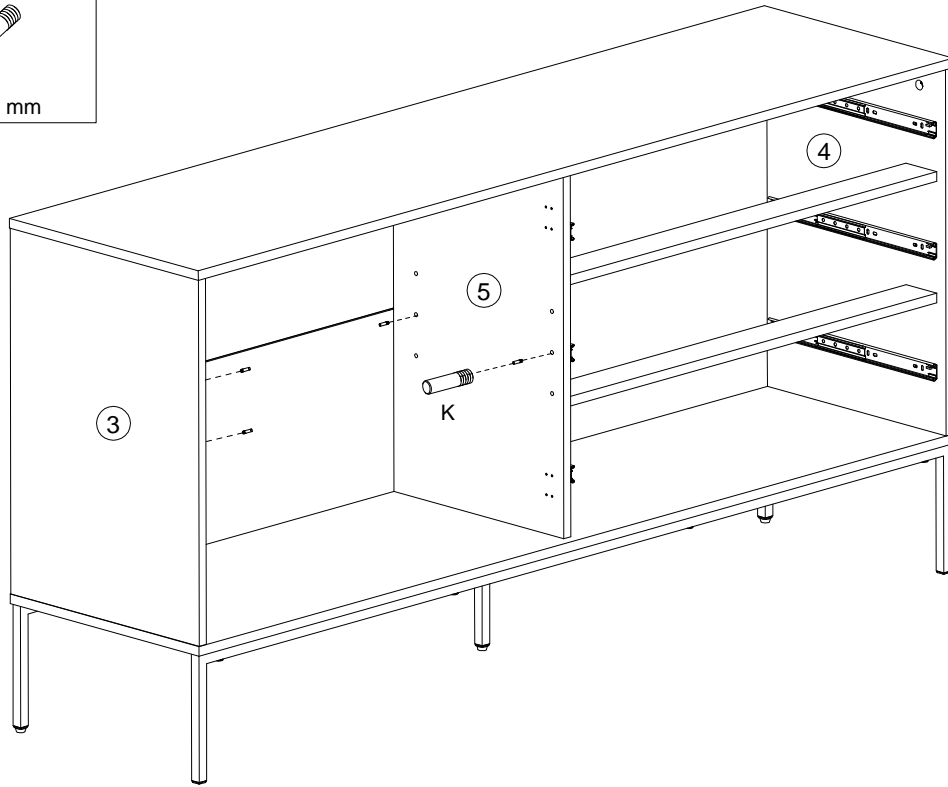
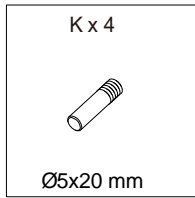
18



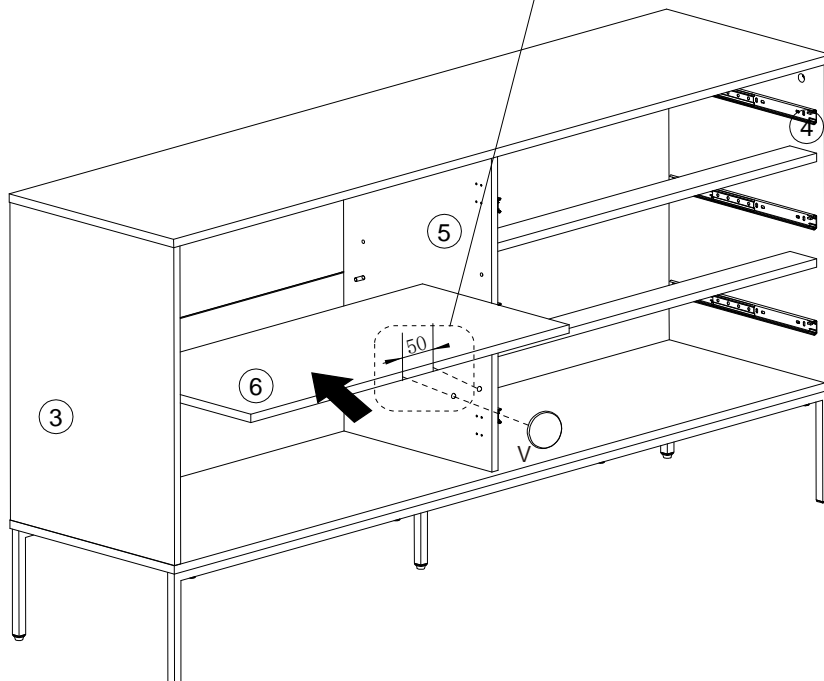
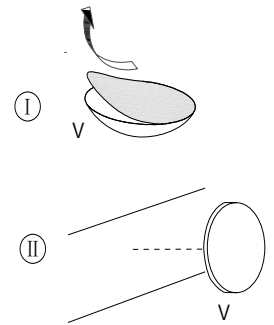
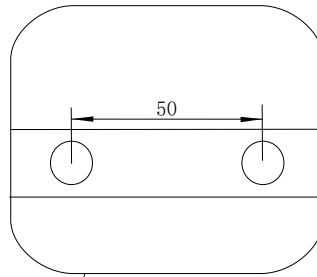
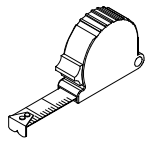
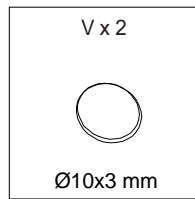
X=Y



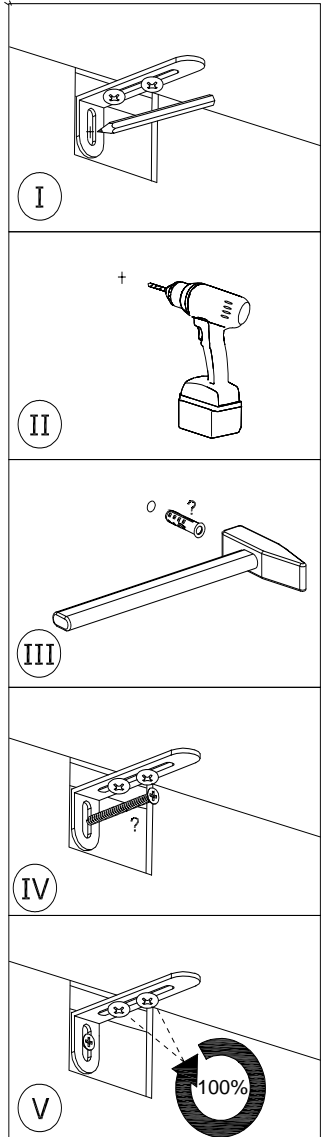
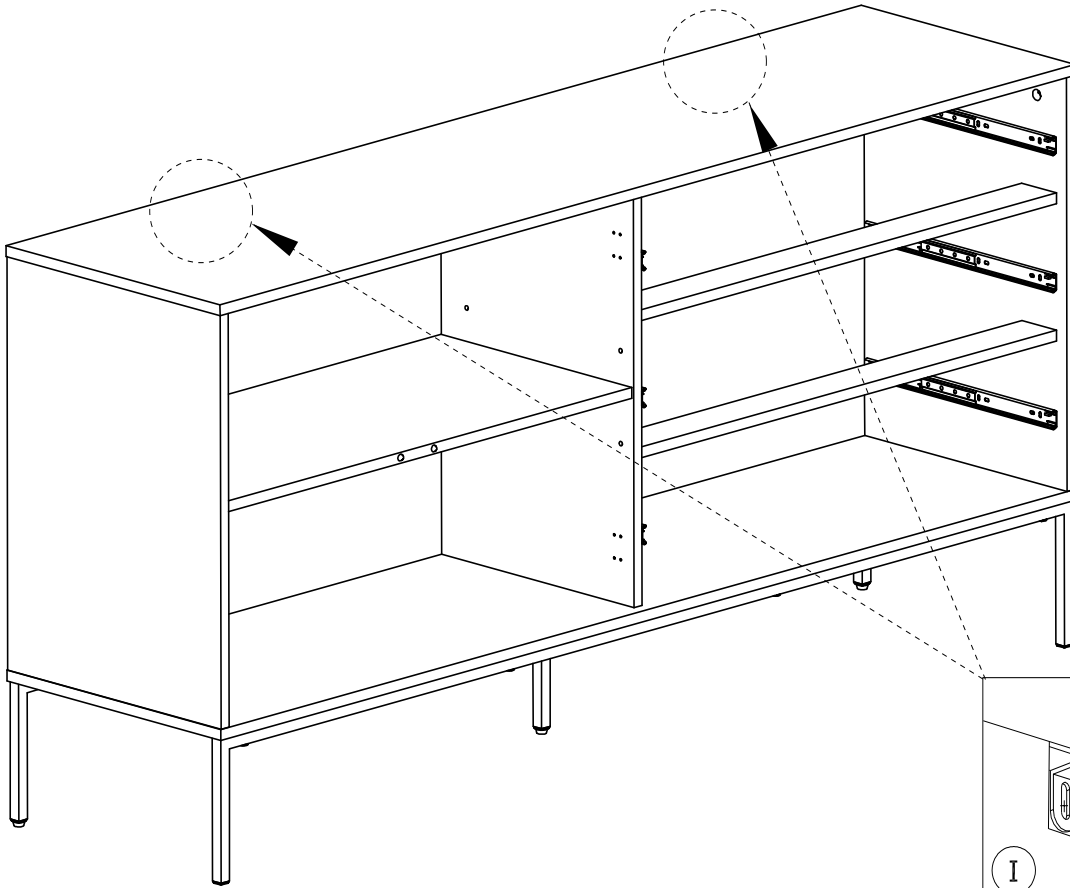
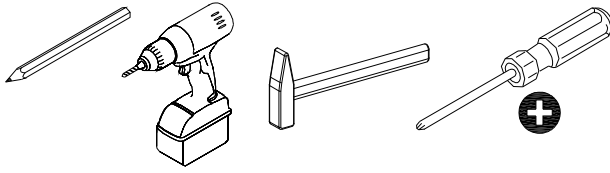
19



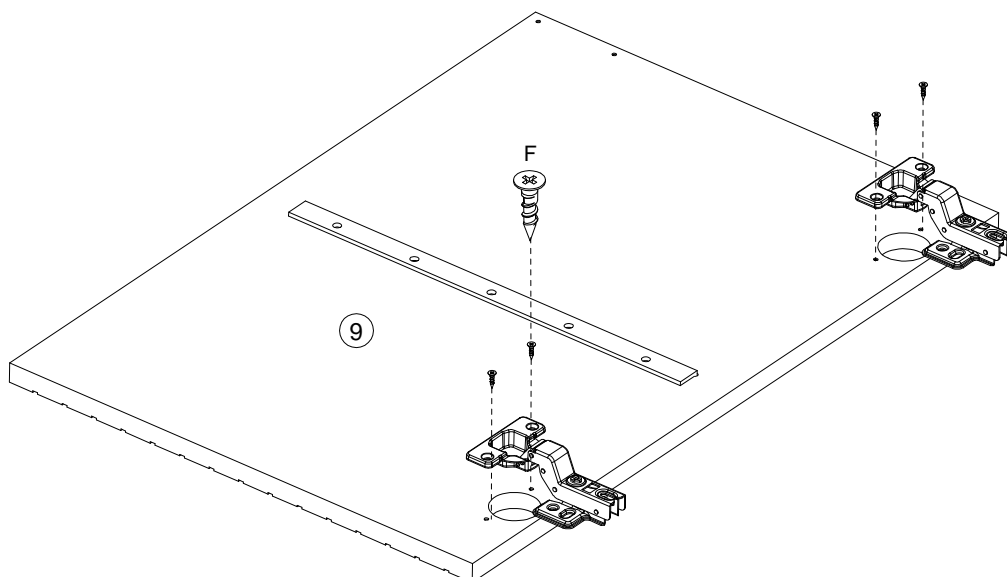
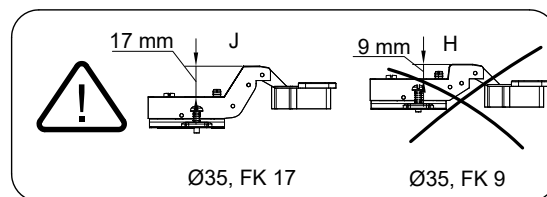
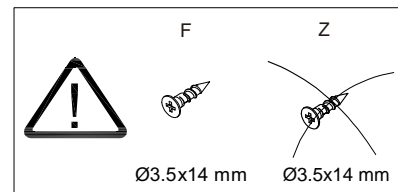
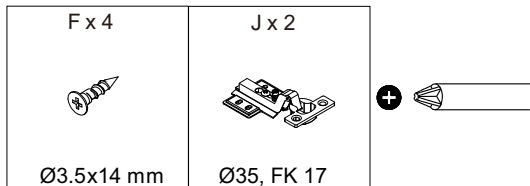
20



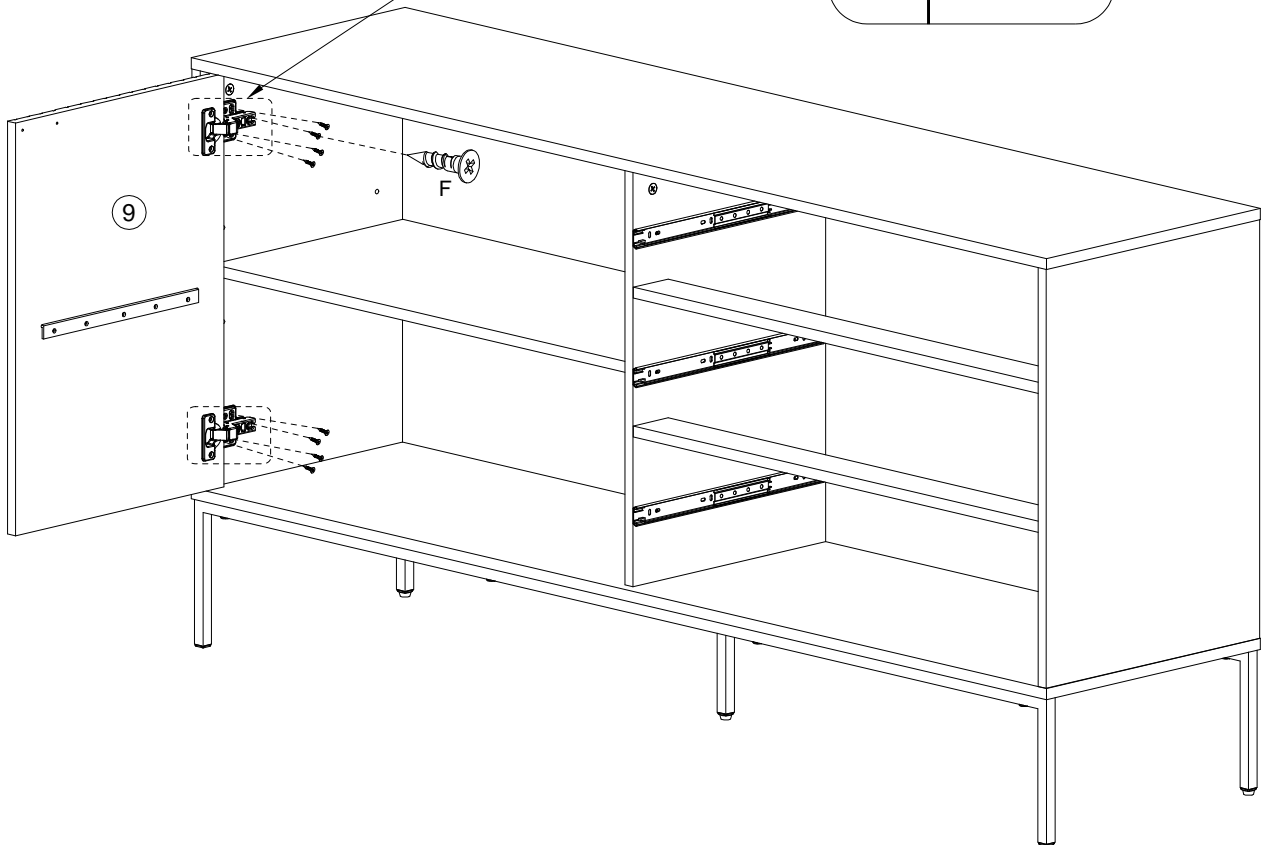
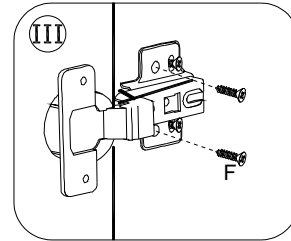
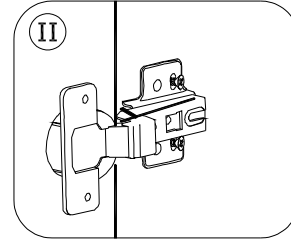
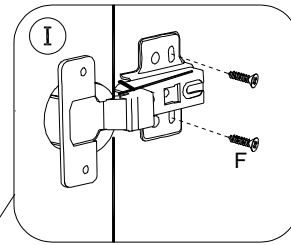
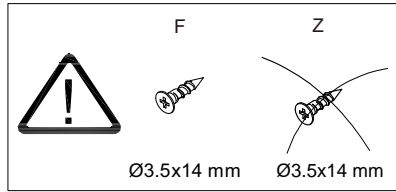
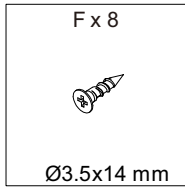
21



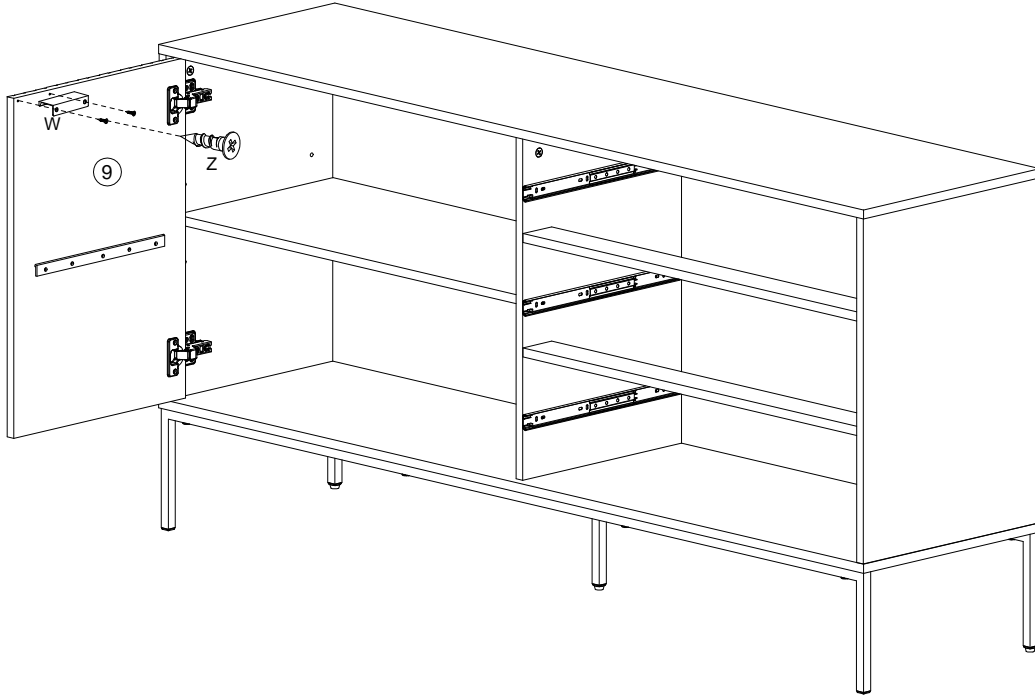
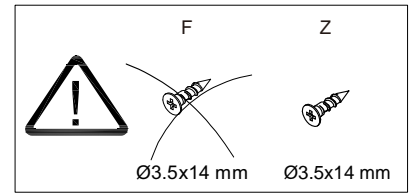
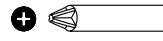
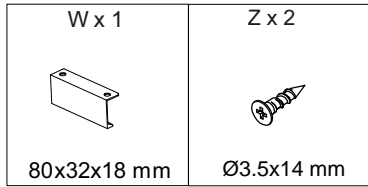
22



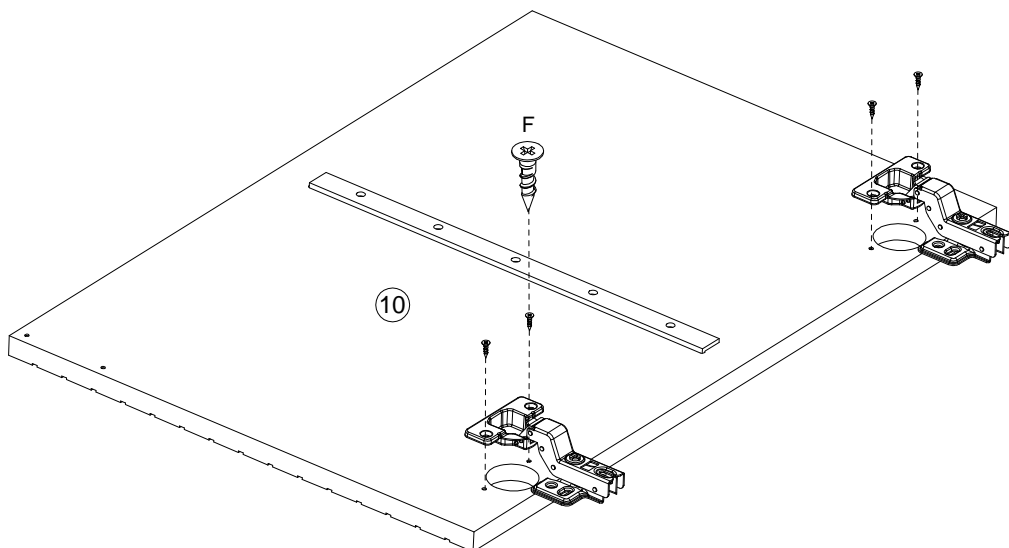
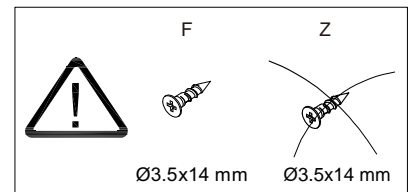
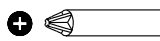
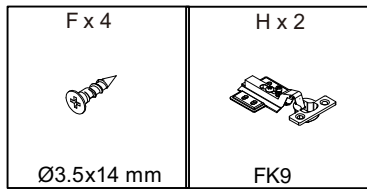
23



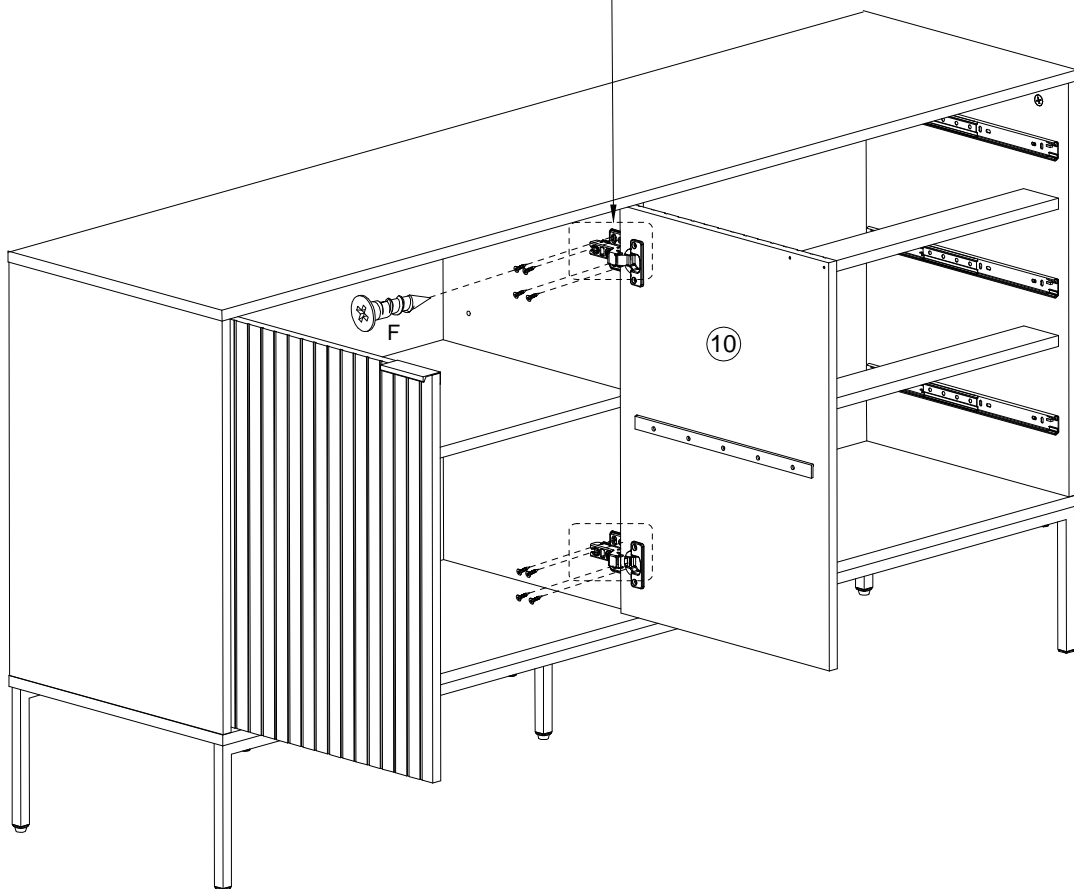
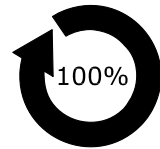
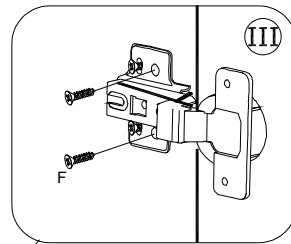
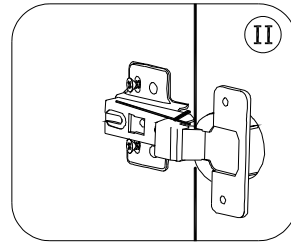
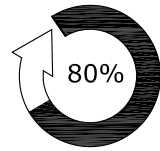
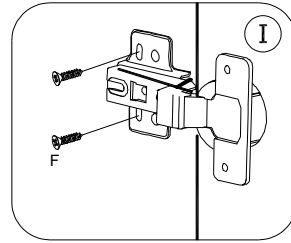
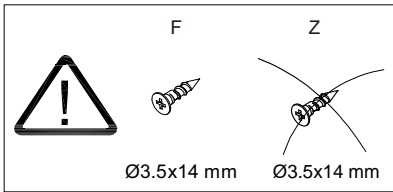
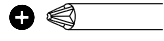
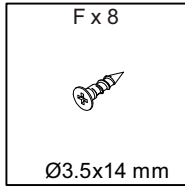
24



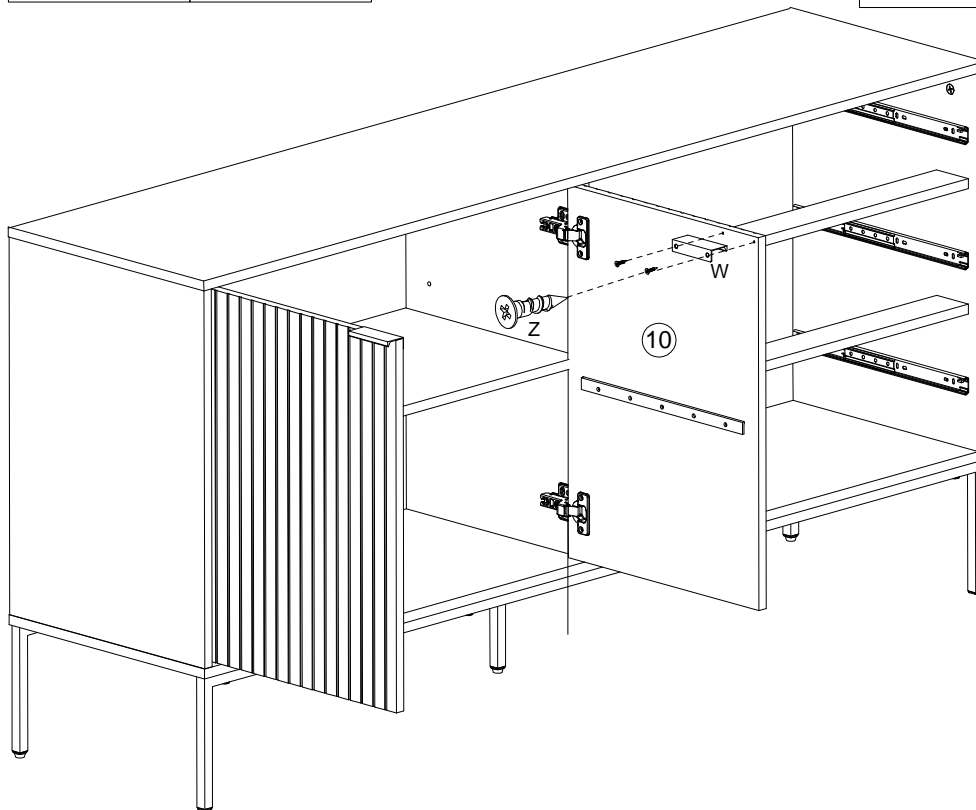
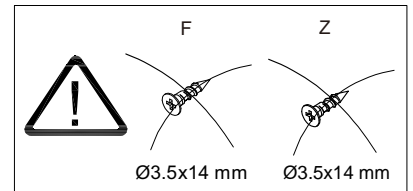
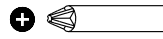
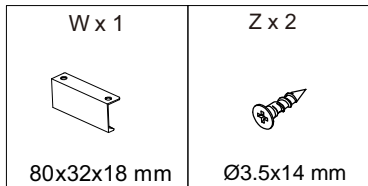
25



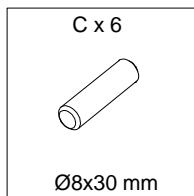
26



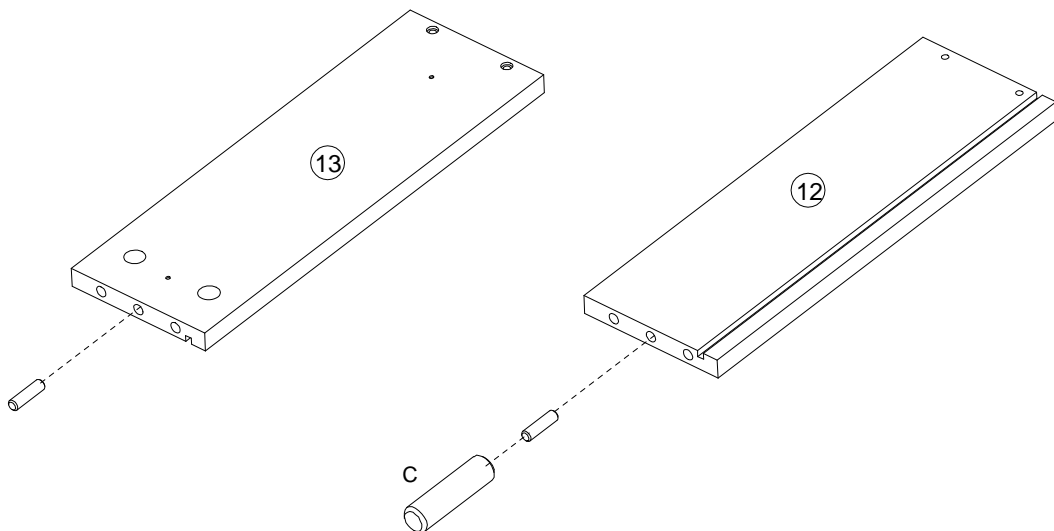
27



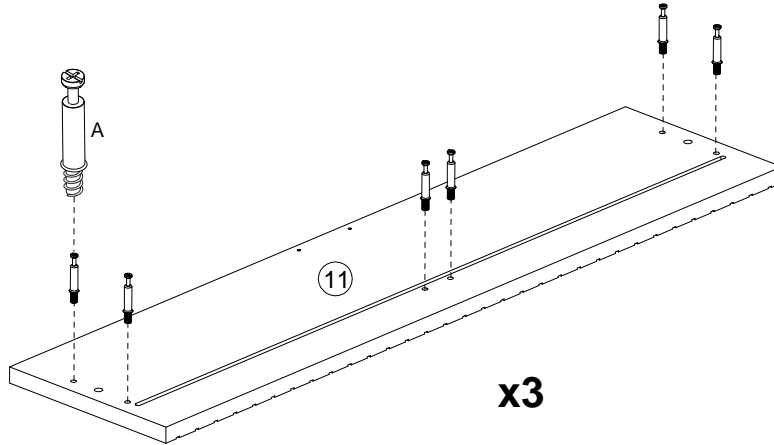
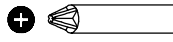
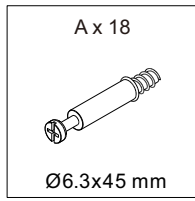
28



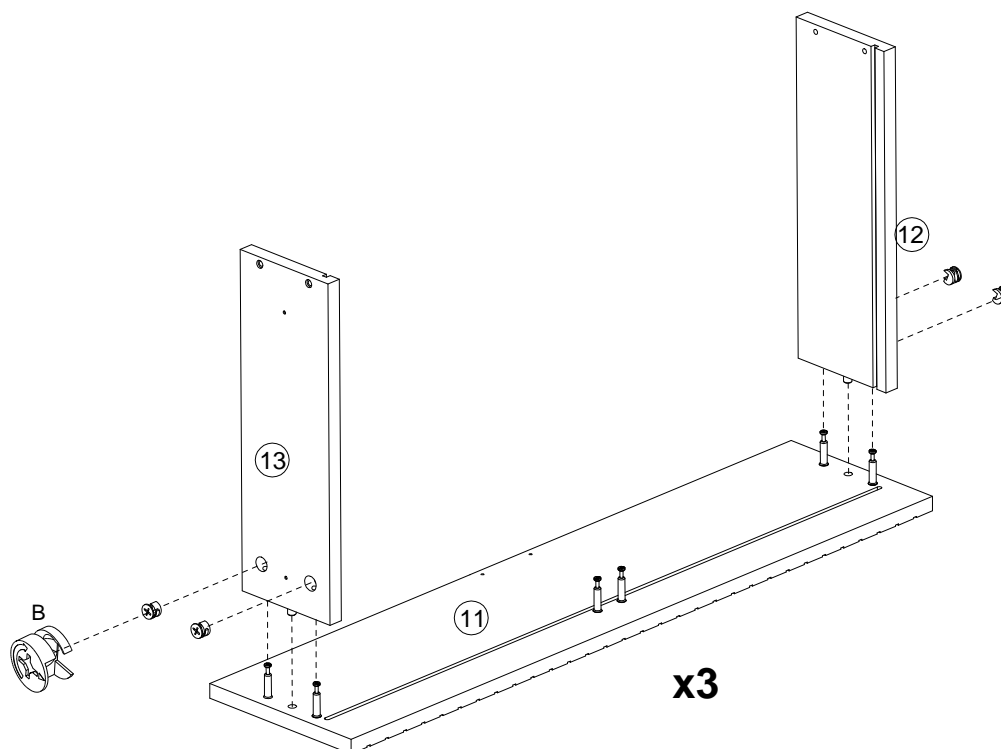
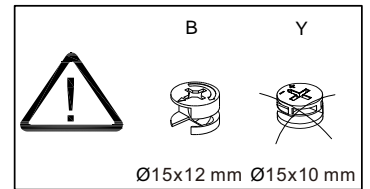
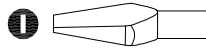
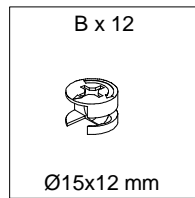
x3



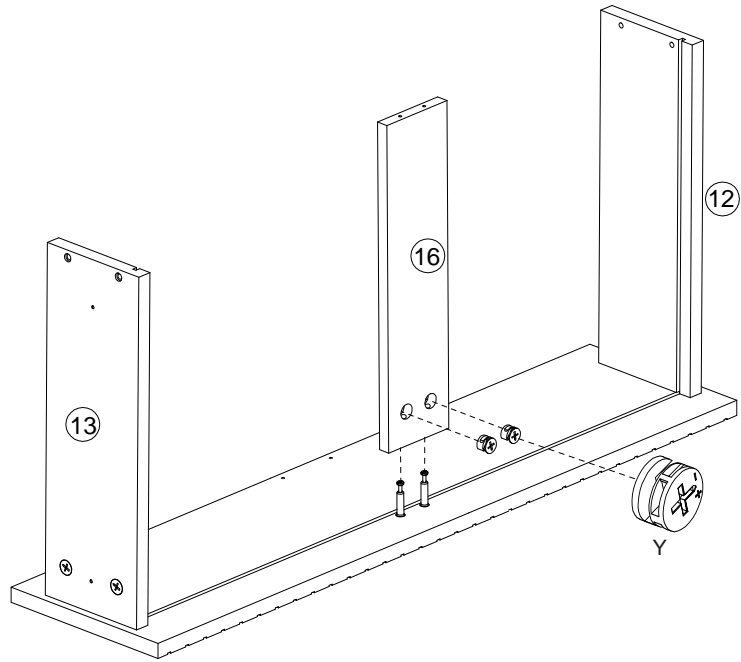
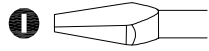
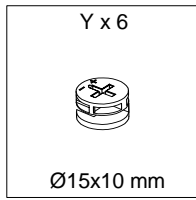
29



30

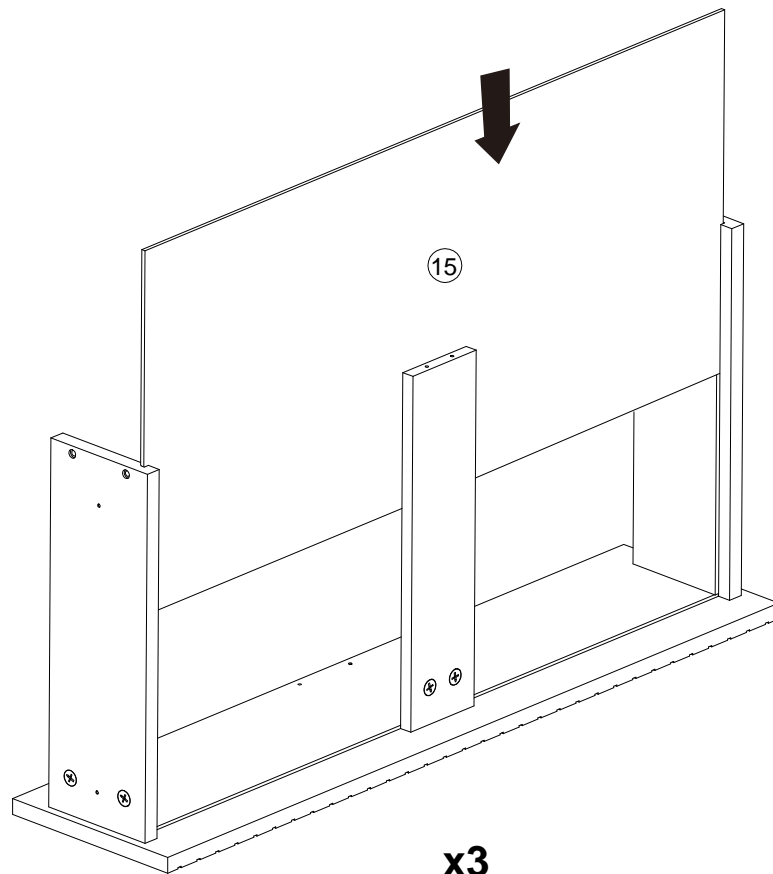


31



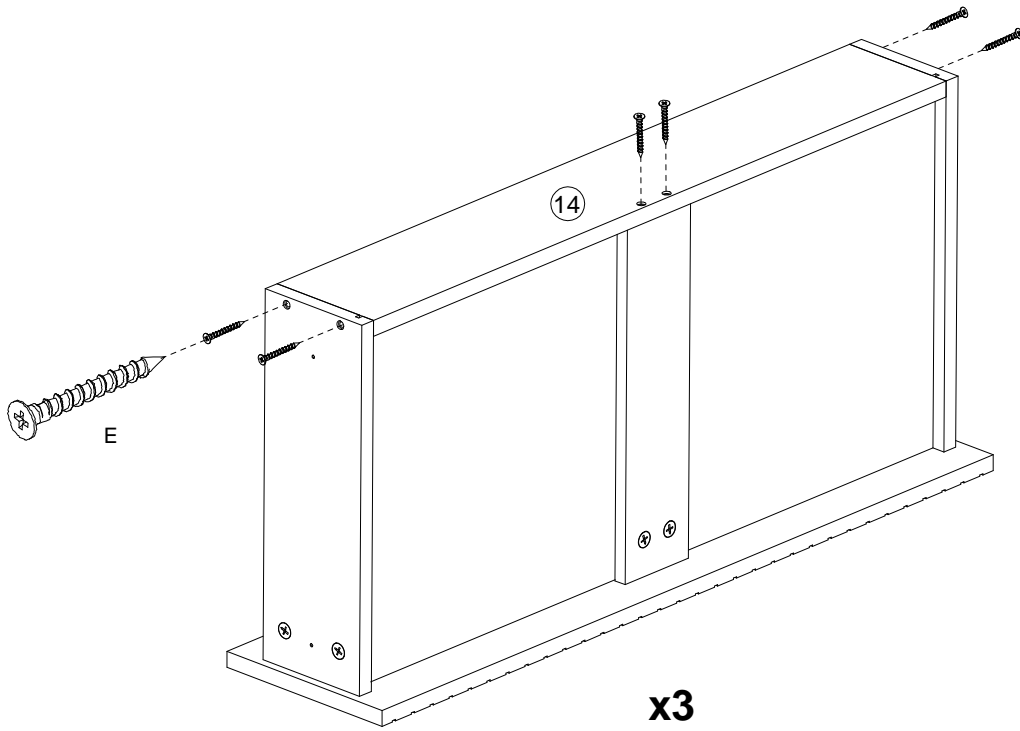
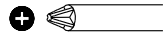
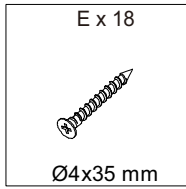
x3

32

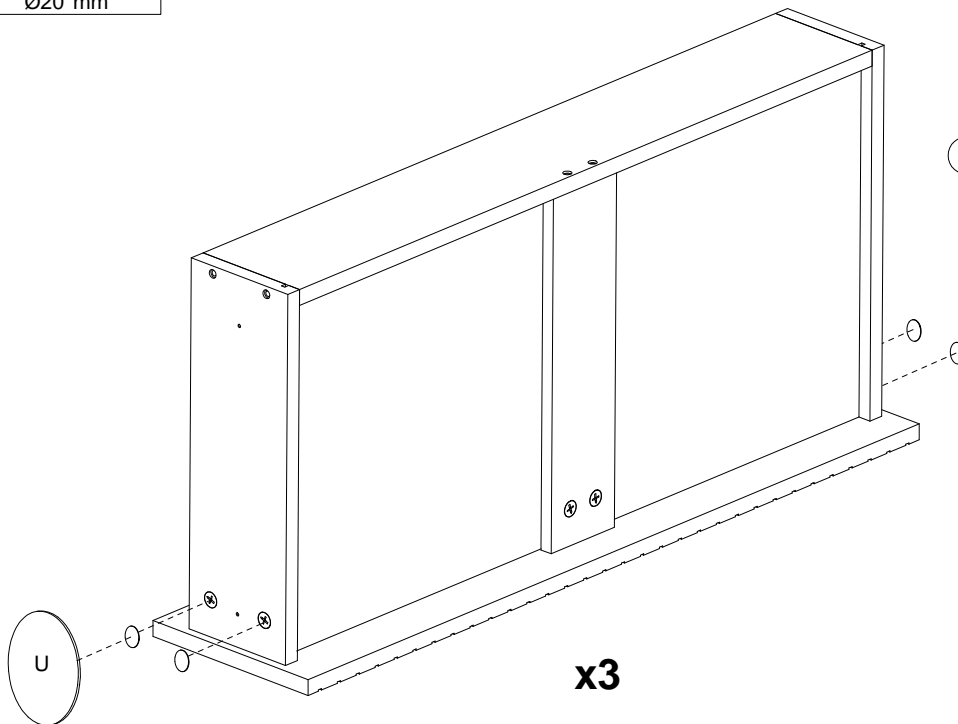
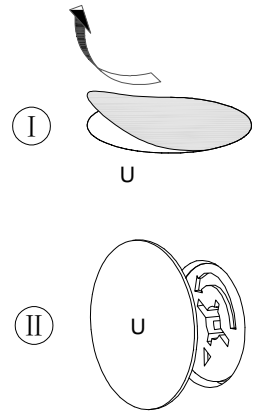
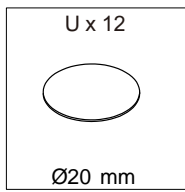


x3



33

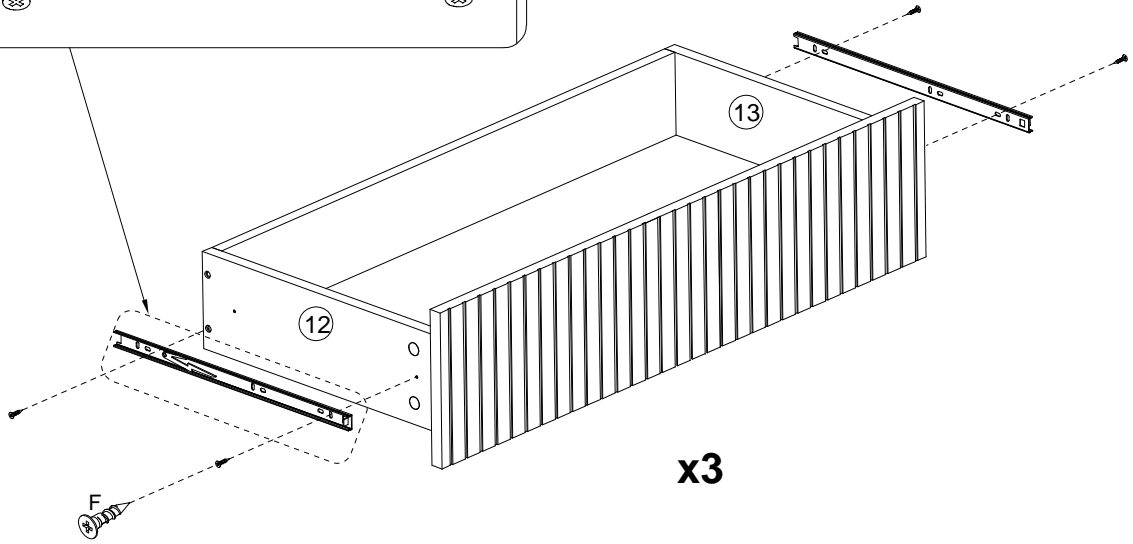
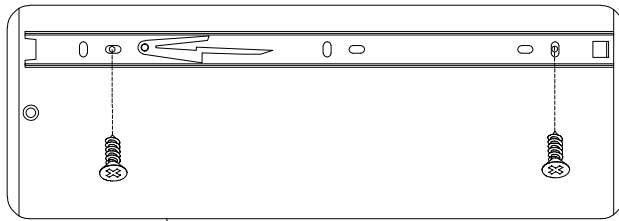
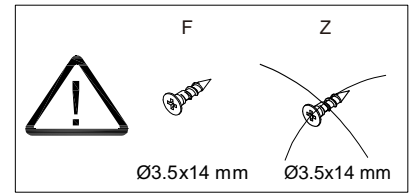
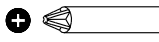


34

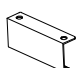



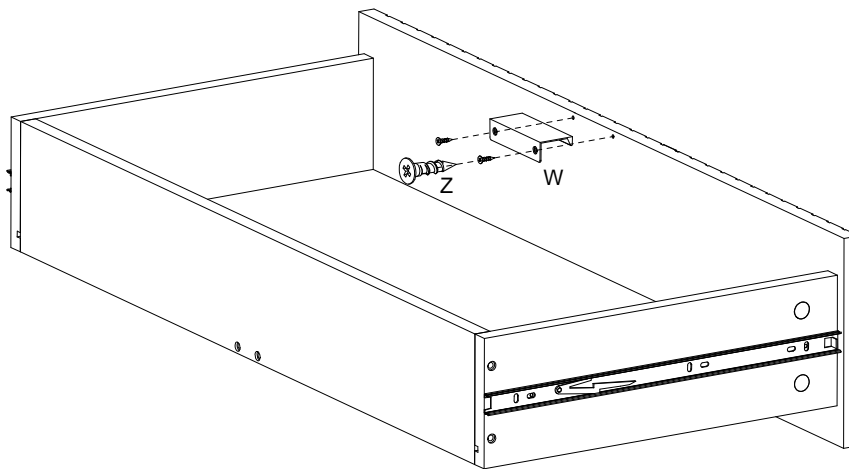
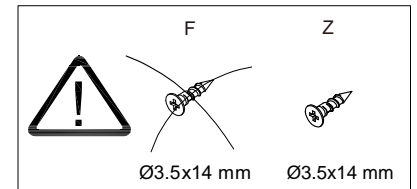
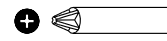
35

F x 12	G2 x 6
	
Ø3.5x14 mm	L=350 mm

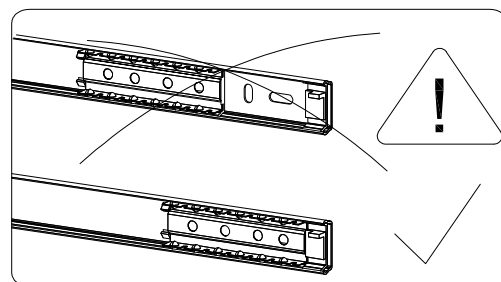
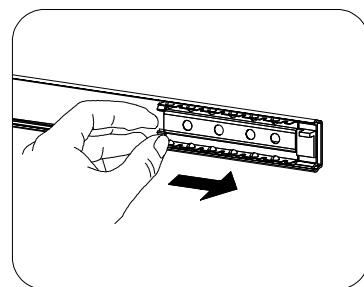
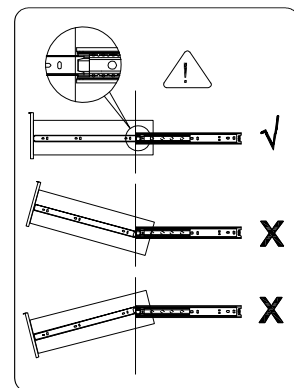
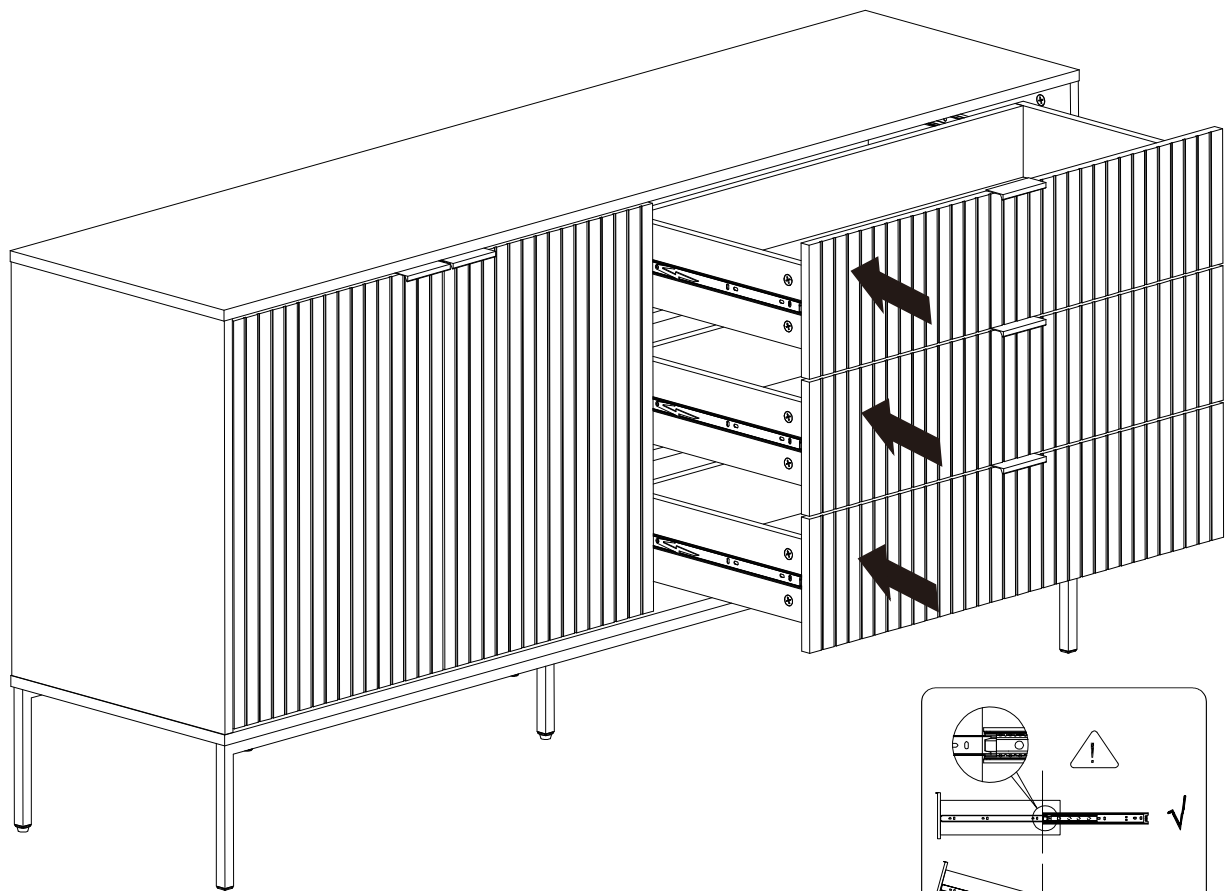


36

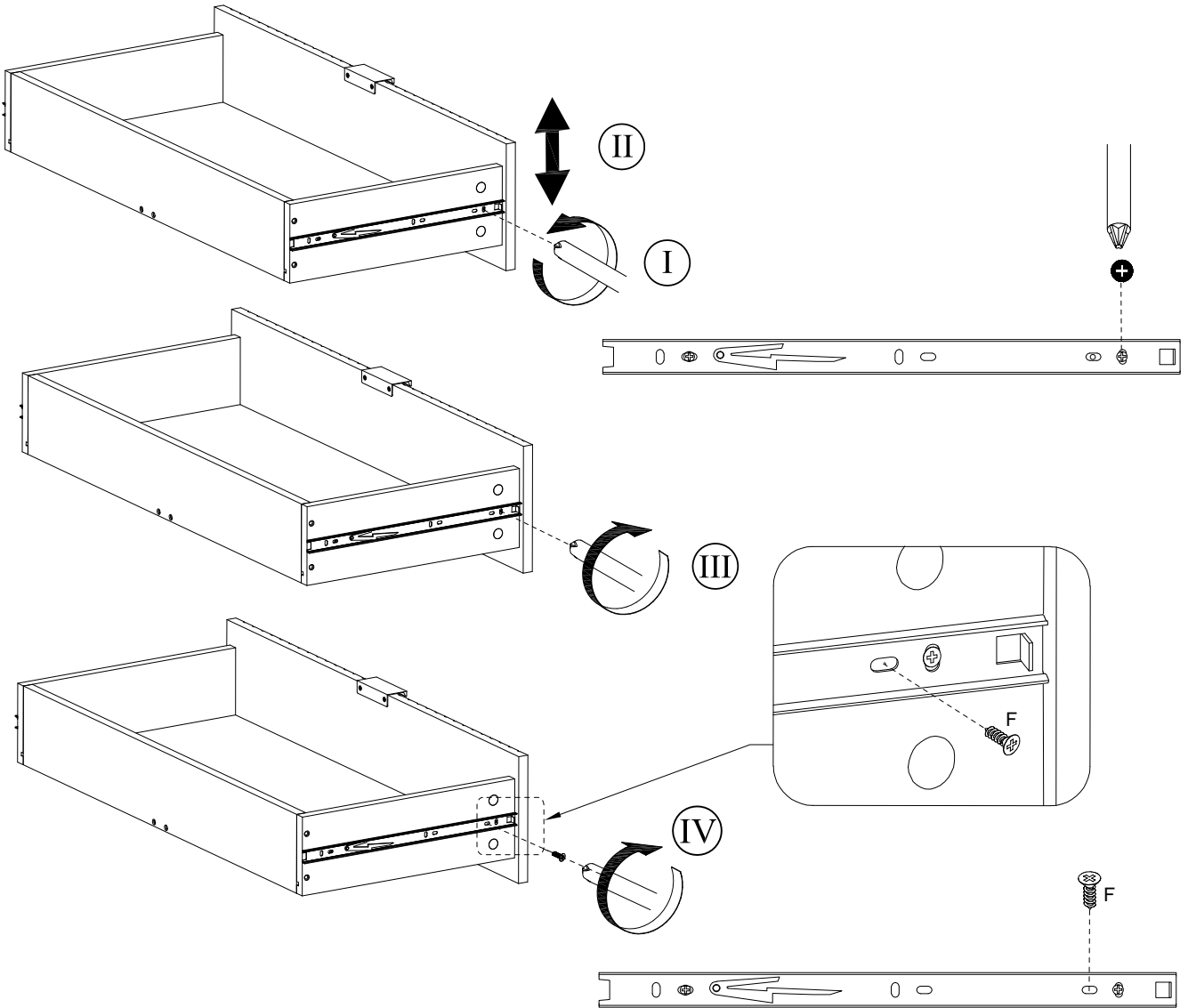
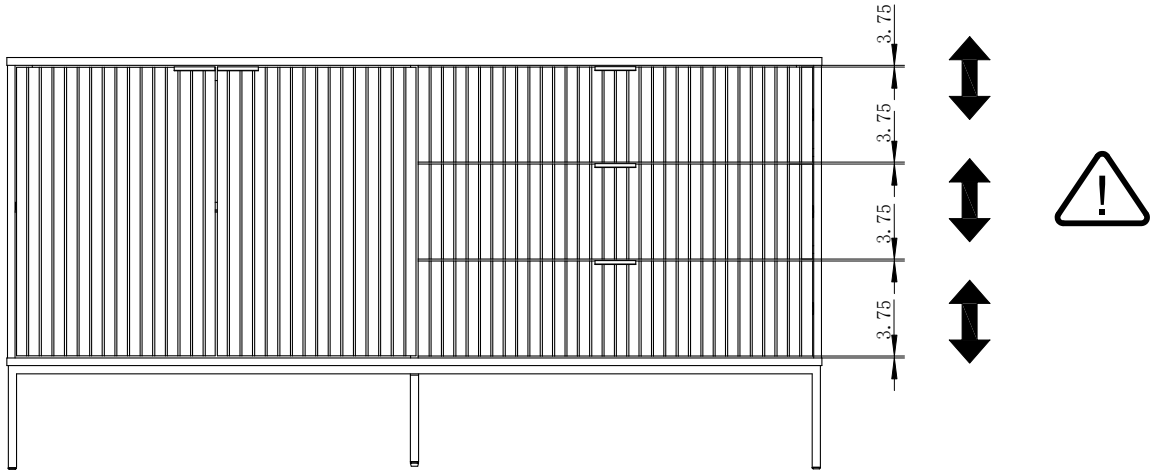
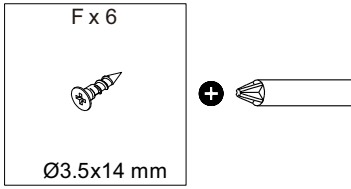
W x 3	Z x 6
	
80x32x18 mm	Ø3.5x14 mm



x3



38



39

