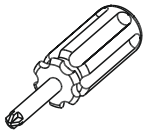
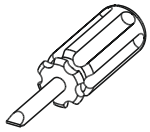
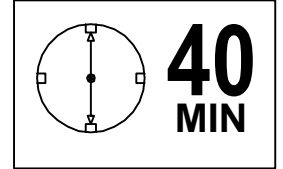
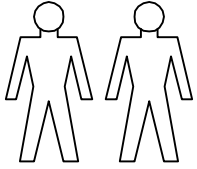
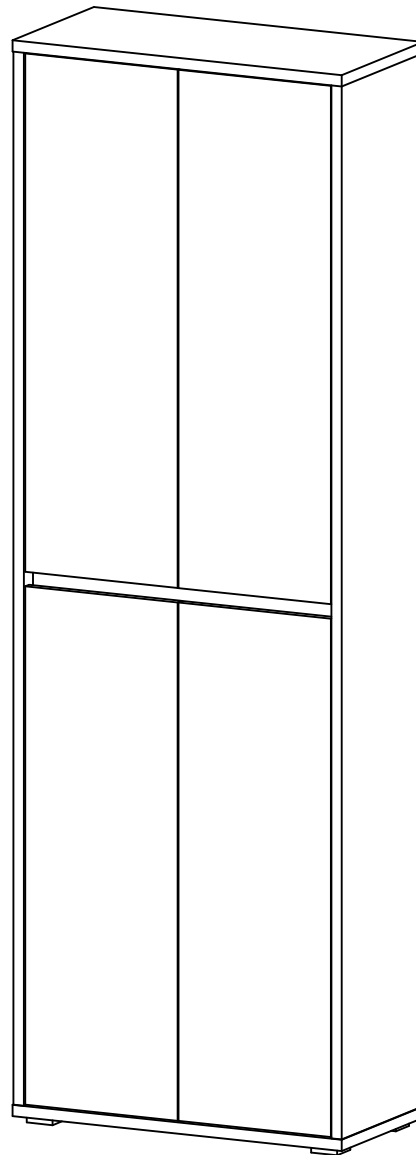
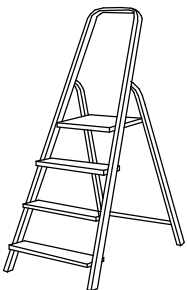
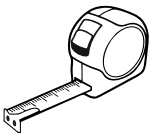


# LIV - SCHUHSCHRANK 4T

00030003/01  
00030003/06  
00030003/21  
00030003/51  
00030003/61  
00030003/71



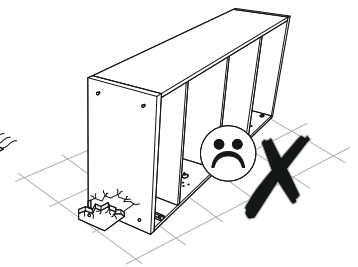
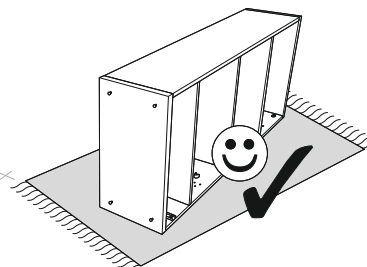
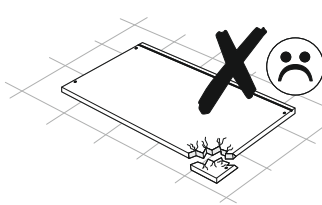
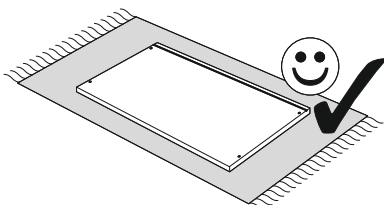
Ø8

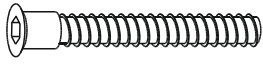





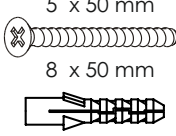

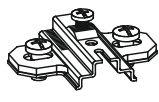
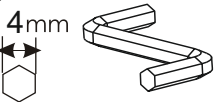

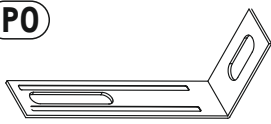
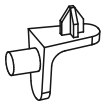
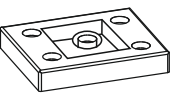



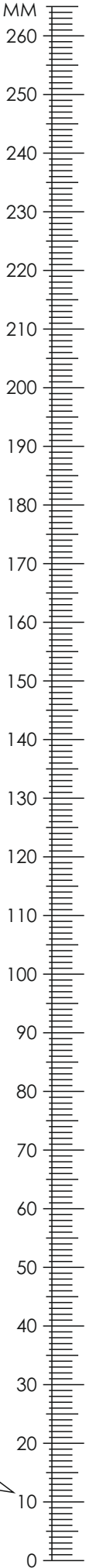
2100 mm

700 mm

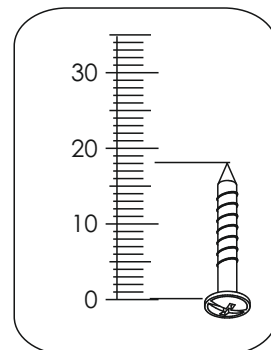
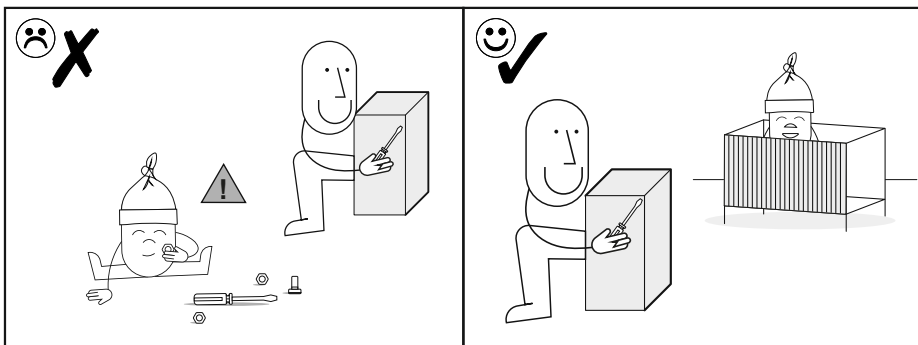
340 mm




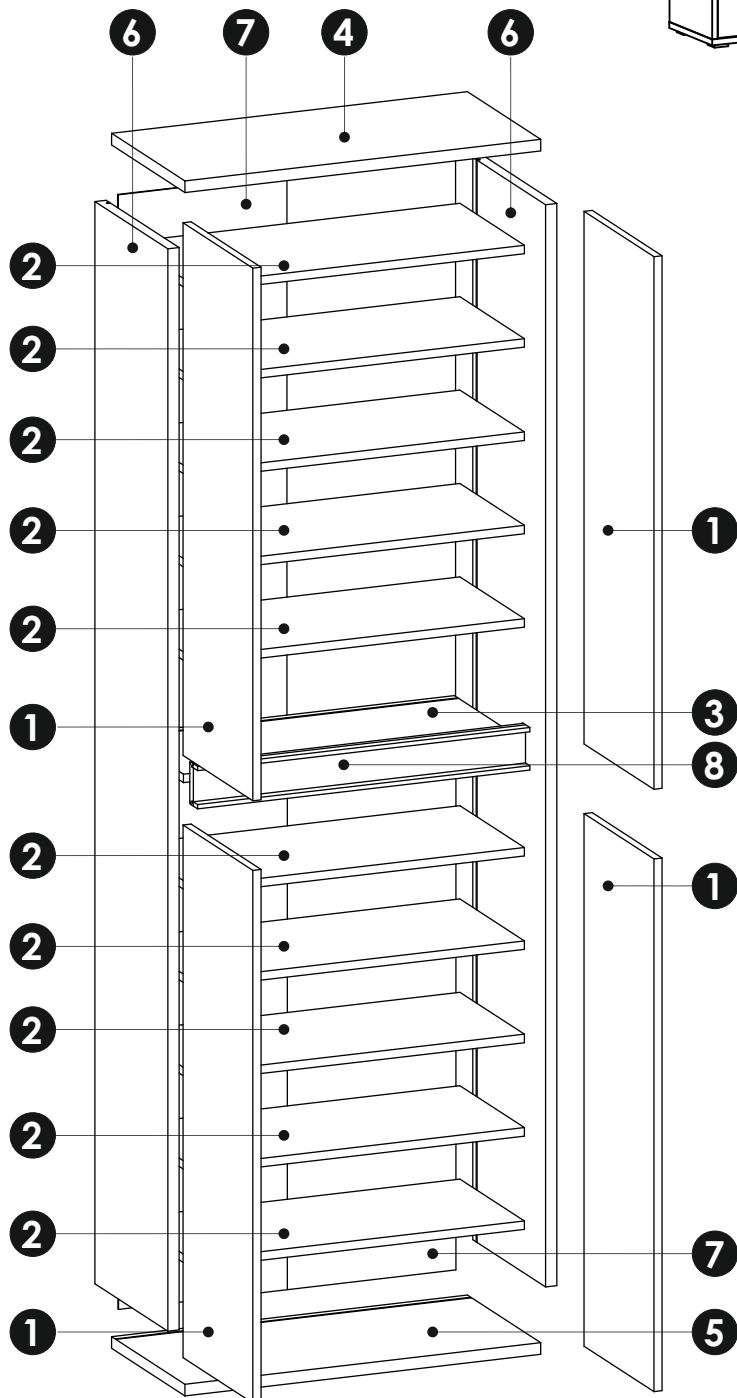
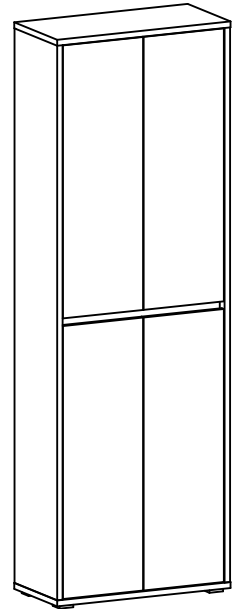
<b>B2</b> f 7 x 70 mm <b>x8</b> 	<b>C2</b> <b>x7</b> 	<b>D0</b> 3 x 15 mm <b>x24</b> 
<b>D10</b> 4 x 16 mm <b>x16</b> 	<b>D12</b> 4 x 25 mm <b>x16</b> 	<b>D21</b> 5 x 13 mm <b>x1</b> 
<b>E0</b> 5 x 50 mm 8 x 50 mm <b>x1</b> 	<b>J4</b> <b>x8</b> 	<b>J6</b> <b>x8</b> 
<b>K</b> 4mm <b>x1</b> 	<b>M1</b> <b>x24</b> 	<b>P0</b> <b>x1</b> 
<b>Q3</b> <b>x40</b> 	<b>T5</b> <b>x4</b> 	<b>U0</b> <b>x8</b> 
<b>*</b> <b>LOGO...</b> <b>x1</b>		

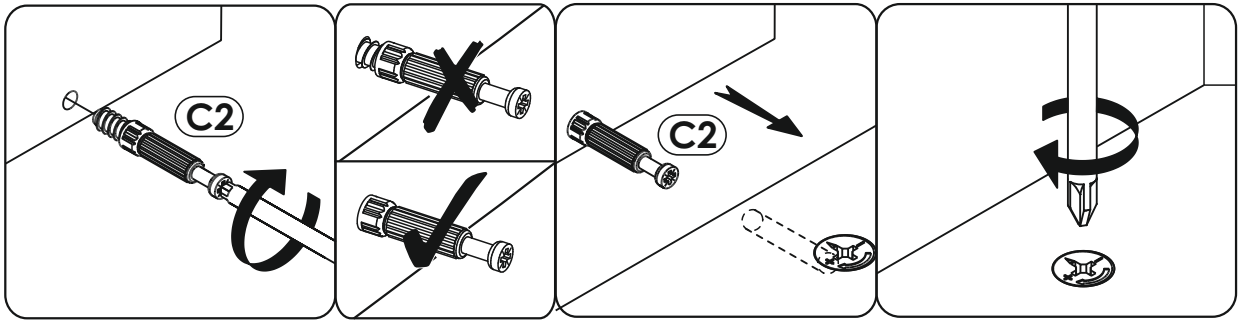


\* 00030003/01  
 00030003/06  
 00030003/21  
 00030003/71

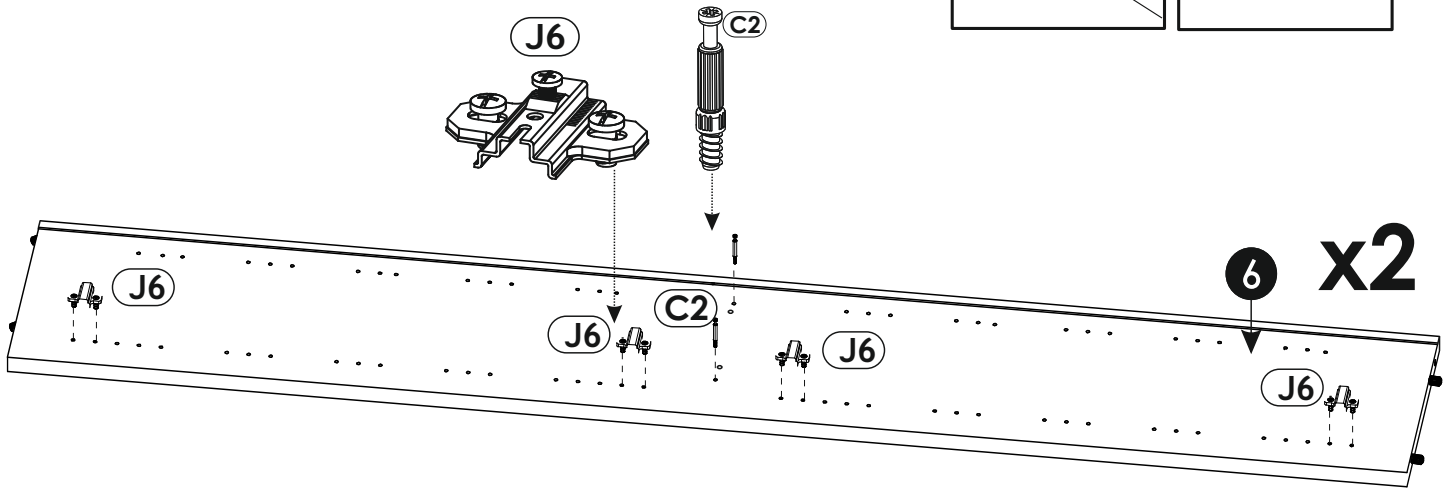
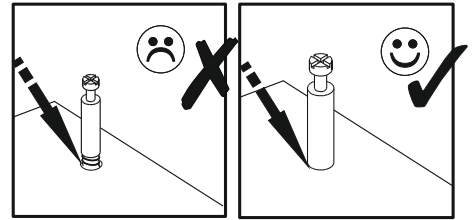
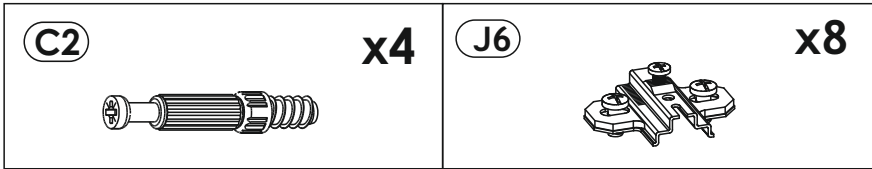


<b>1</b>	1004	324	16 x4	2/3
<b>2</b>	654	299	16 x10	3/3
<b>3</b>	654	288	16 x1	2/3
<b>4</b>	700	340	22 x1	1/3
<b>5</b>	700	340	22 x1	1/3
<b>6</b>	2040	338	22 x2	1/3
<b>7</b>	1021	664	3 x2	2/3
<b>8</b>	654	90	32 x1	3/3
				2/3

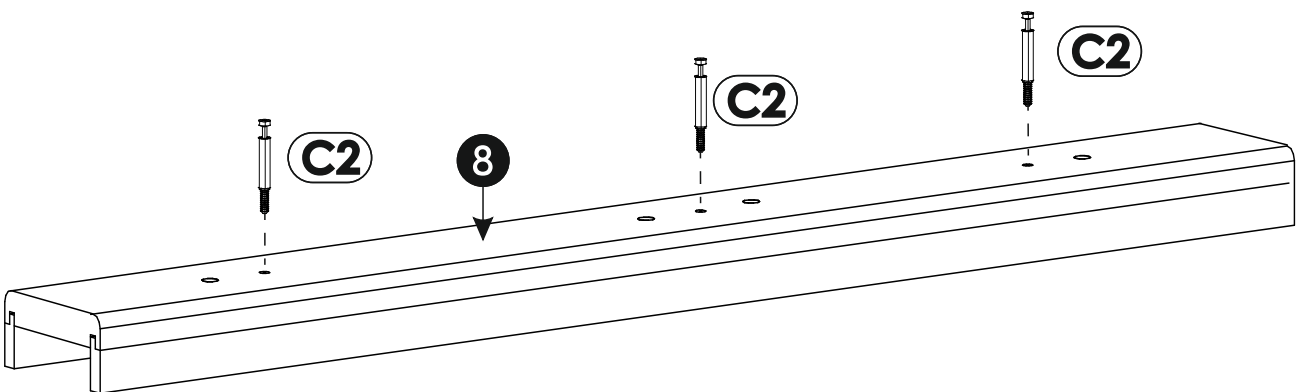
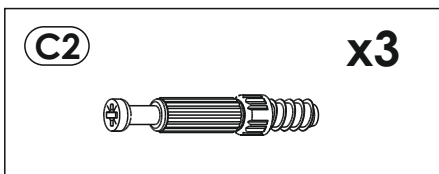




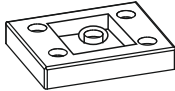
1 ▶

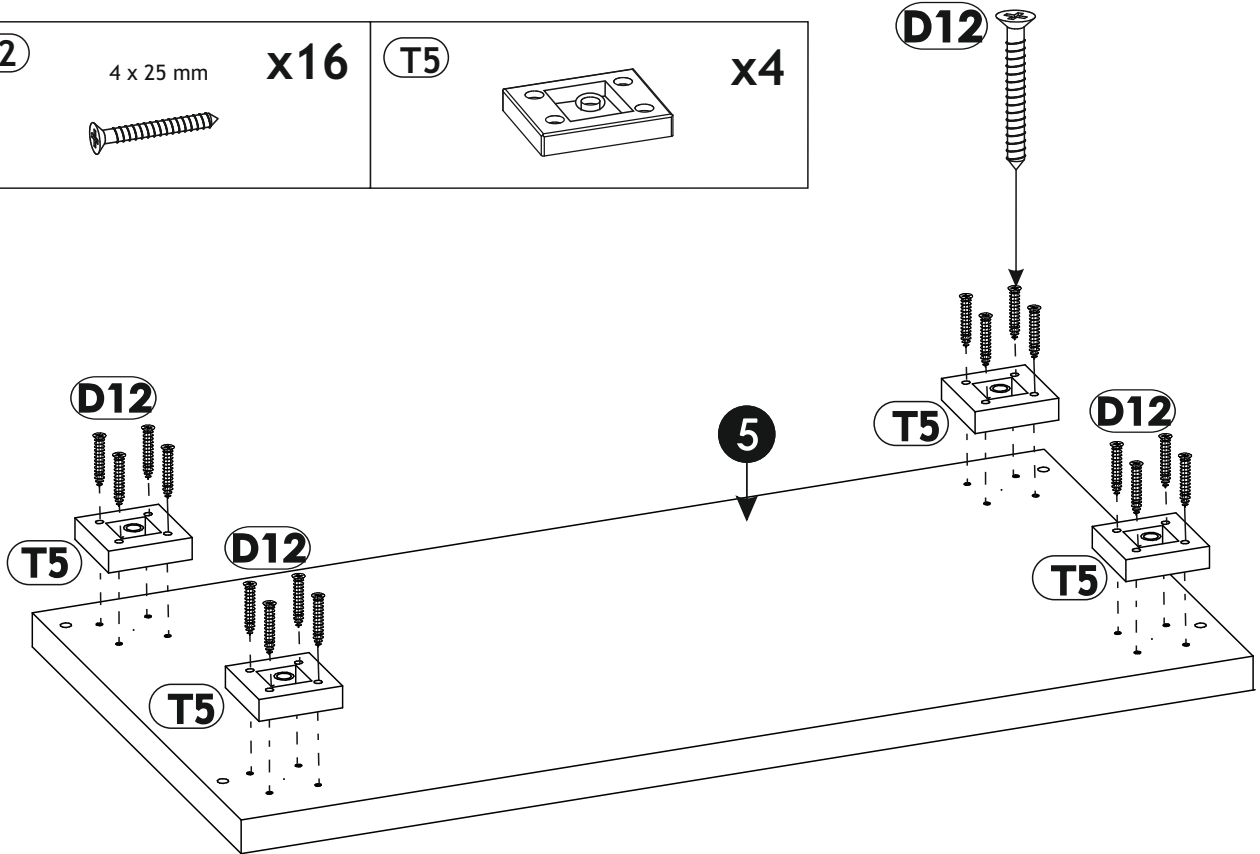


2 ▶




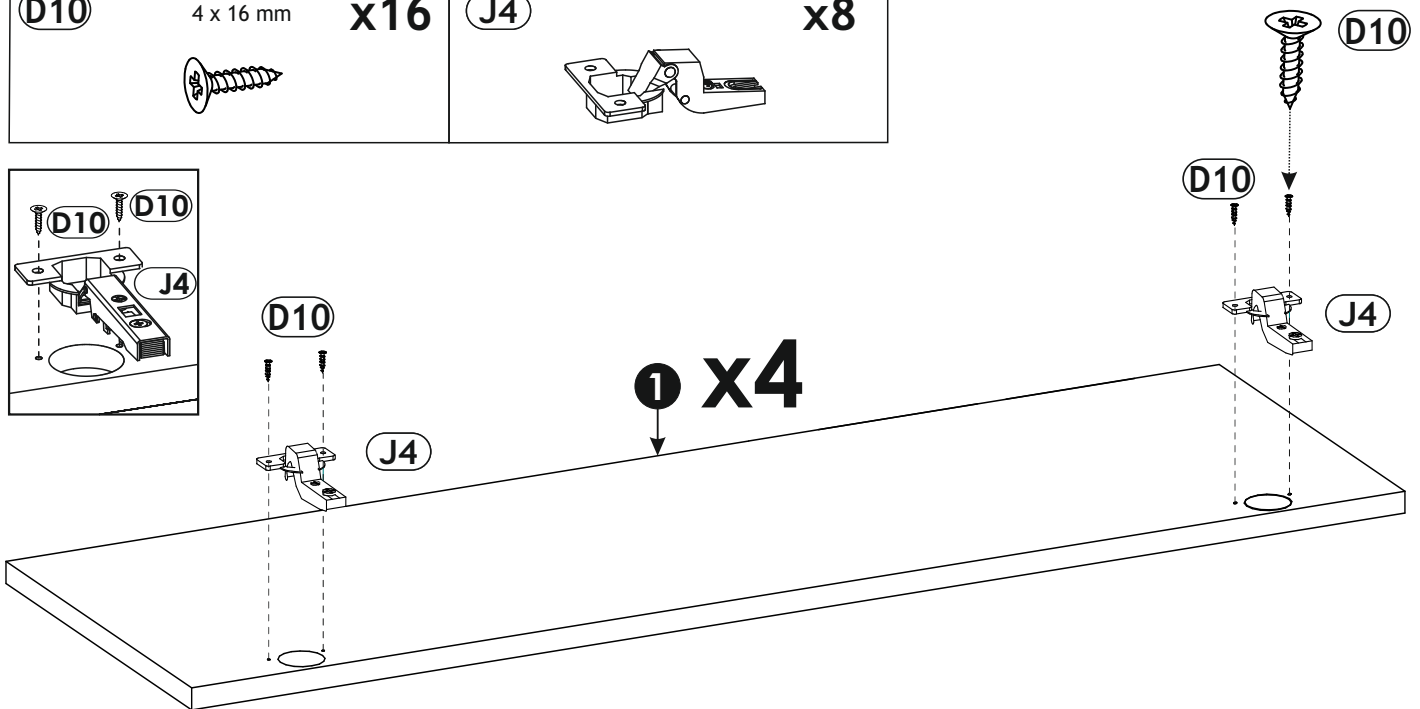
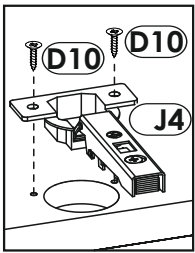
### 3 ▶

<b>D12</b>	4 x 25 mm	<b>x16</b>	<b>T5</b>		<b>x4</b>
------------	-----------	------------	-----------	---	-----------

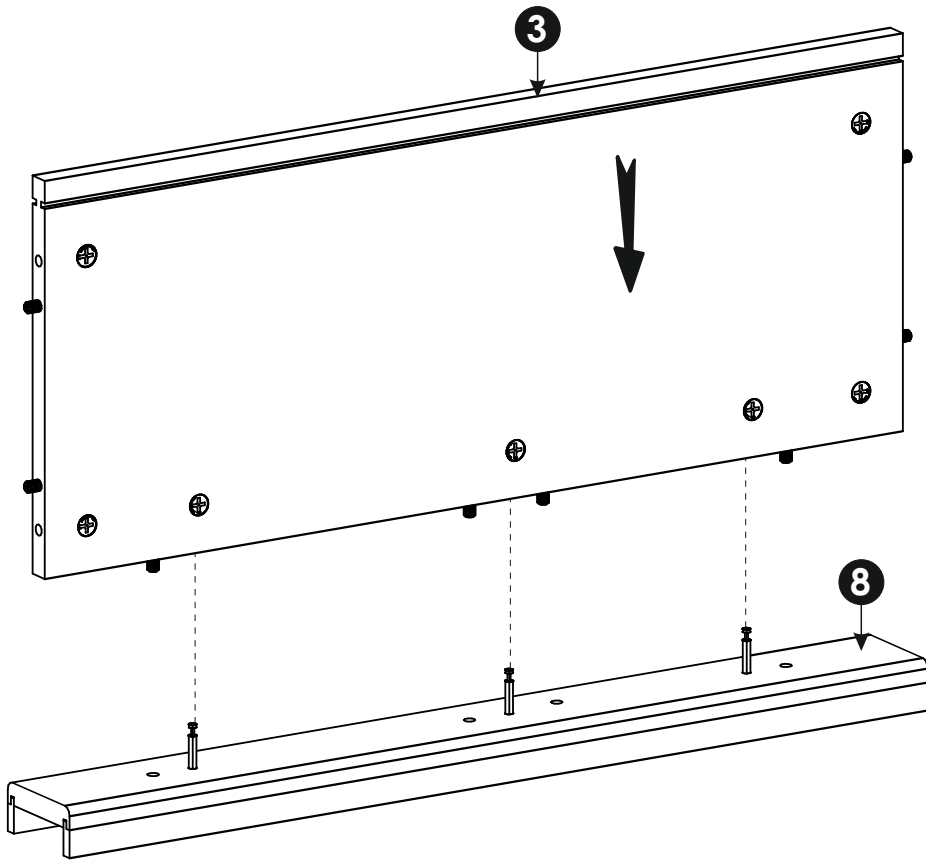


### 4 ▶

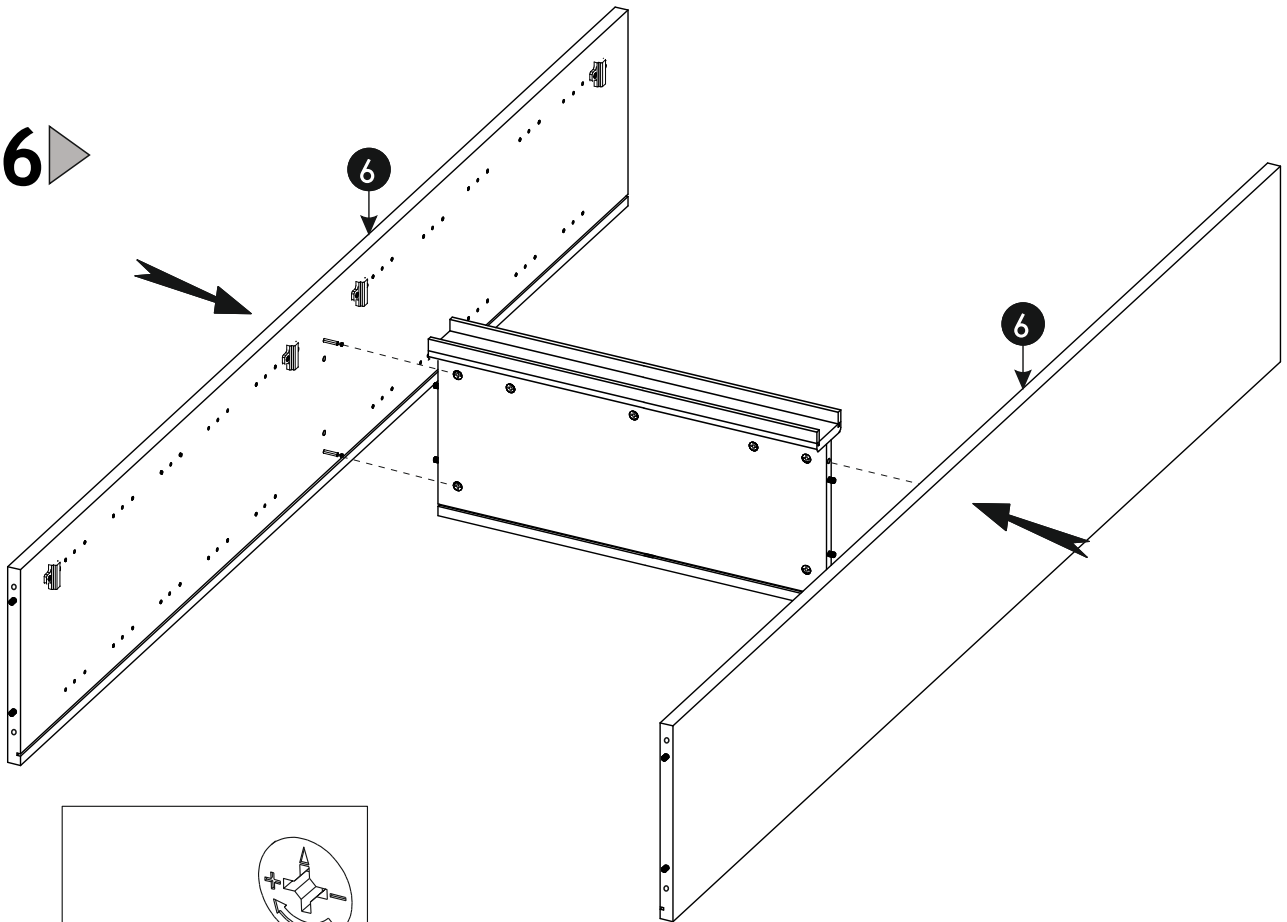
<b>D10</b>	4 x 16 mm	<b>x16</b>	<b>J4</b>		<b>x8</b>
------------	-----------	------------	-----------	---	-----------



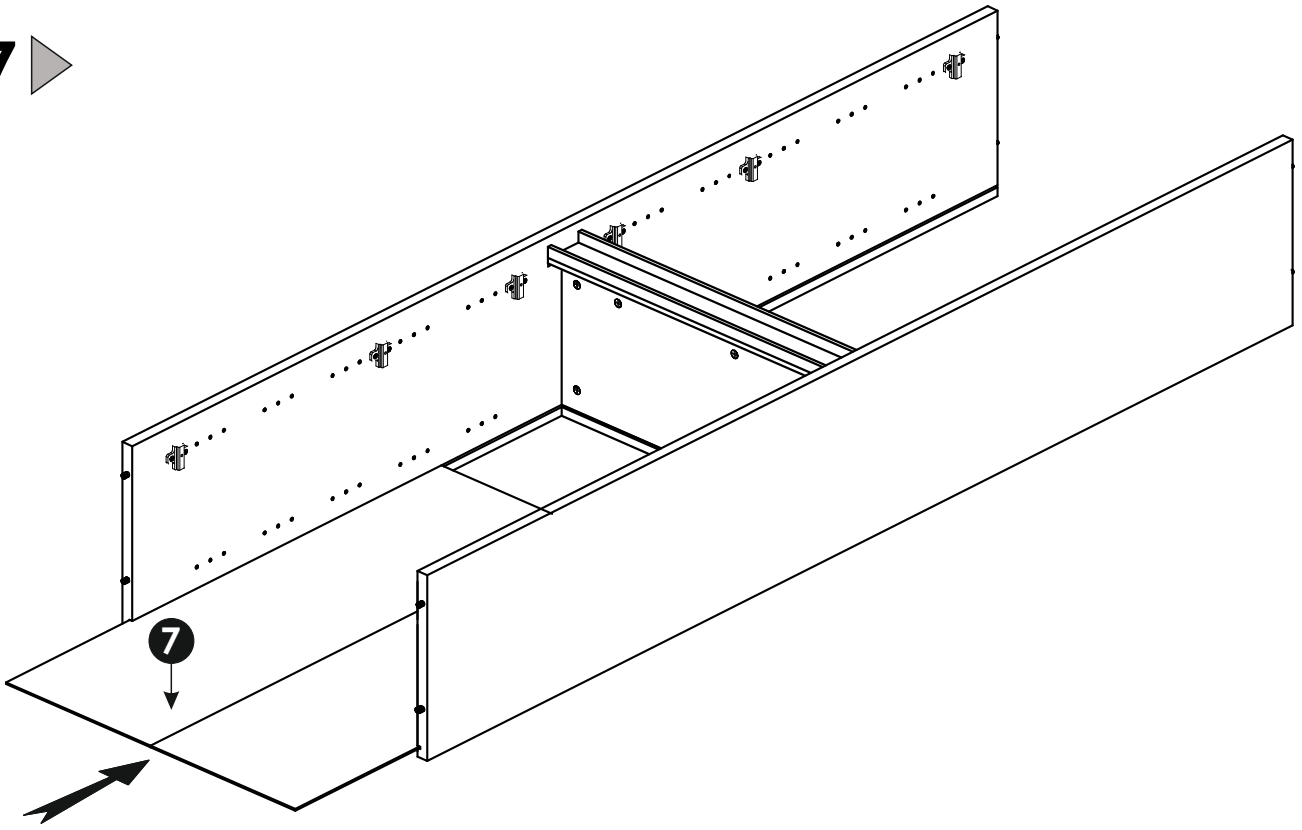
5 ▶



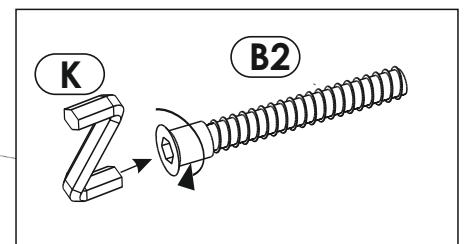
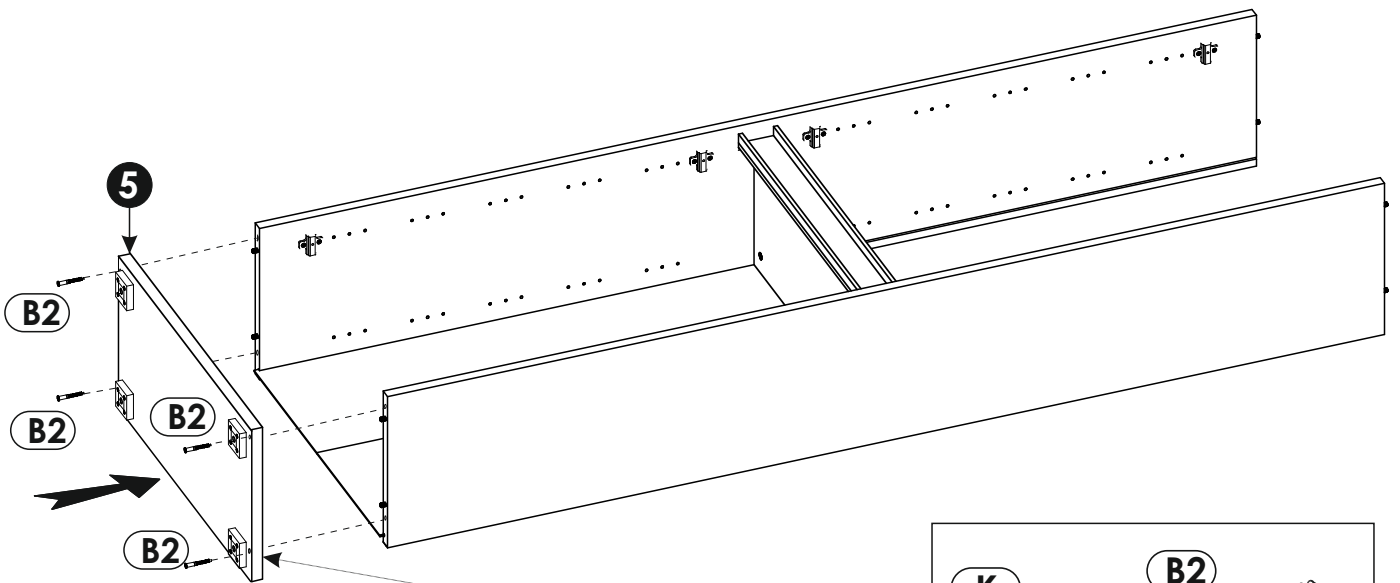
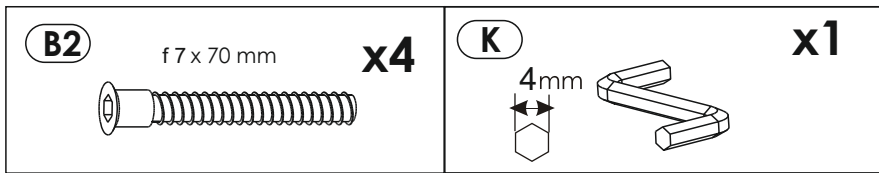
6 ▶



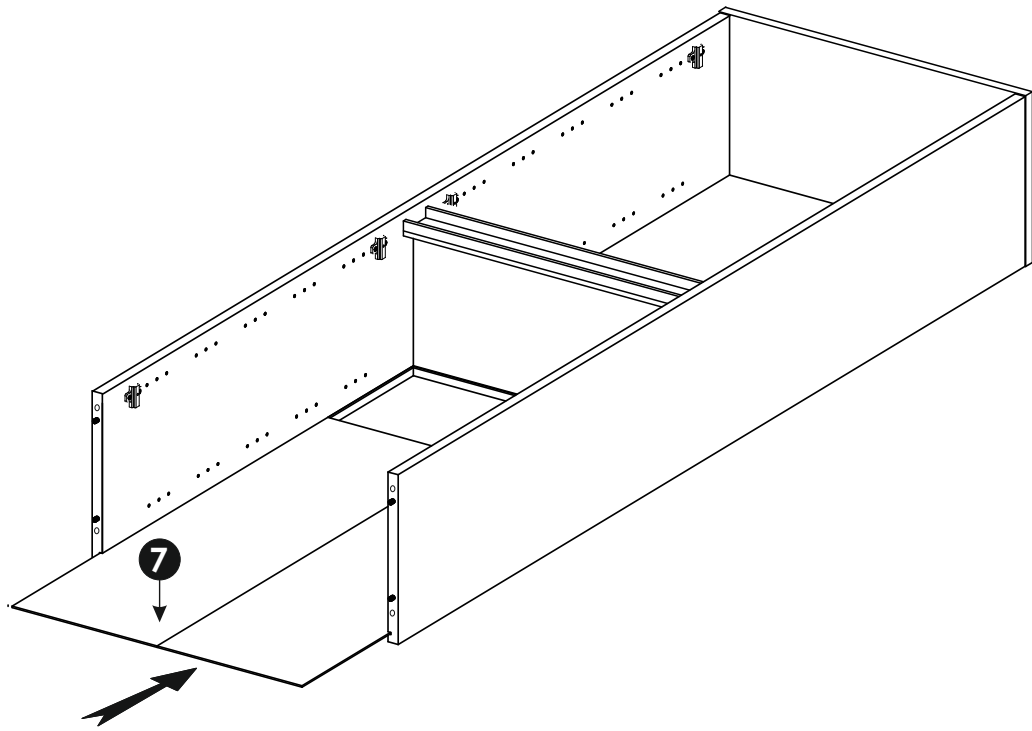
7 ▶



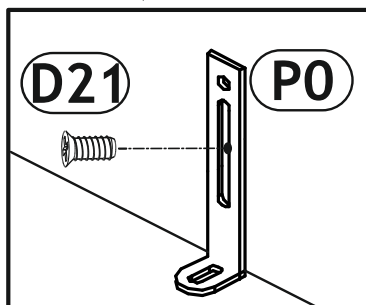
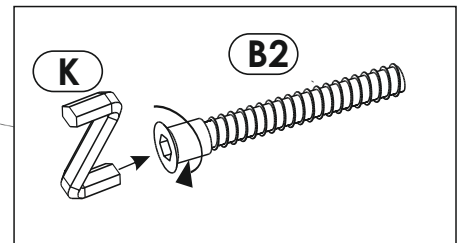
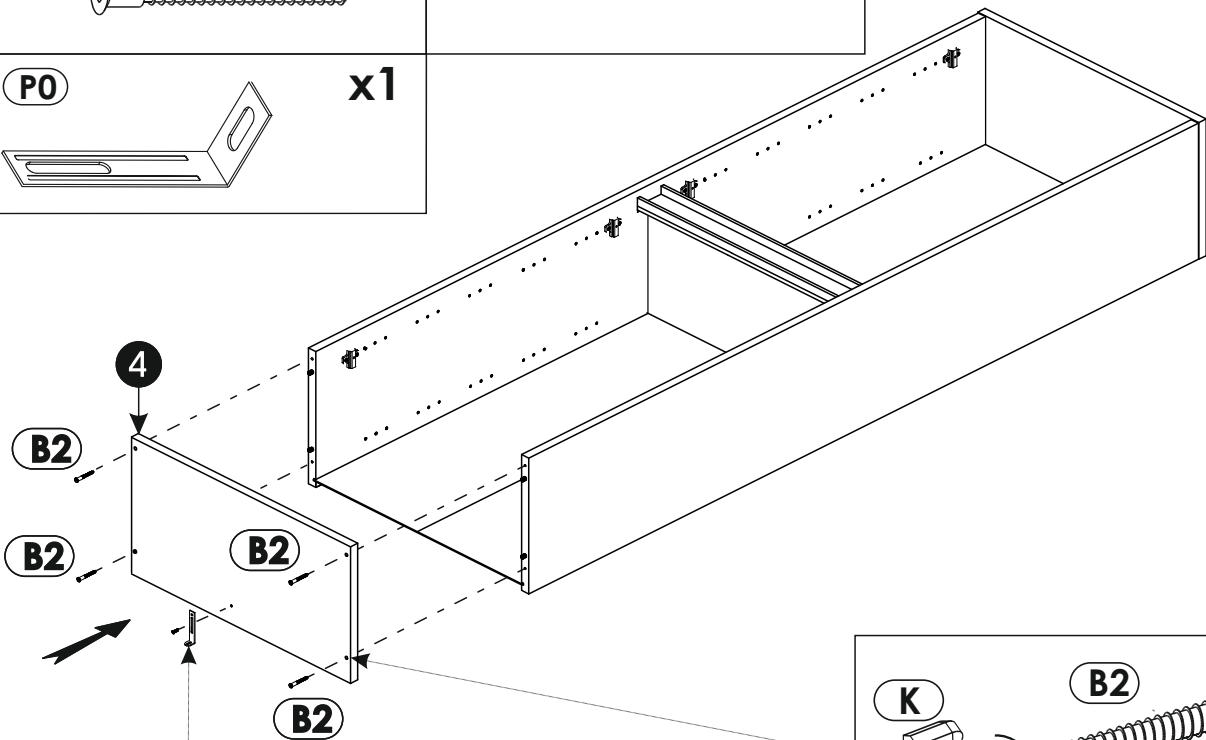
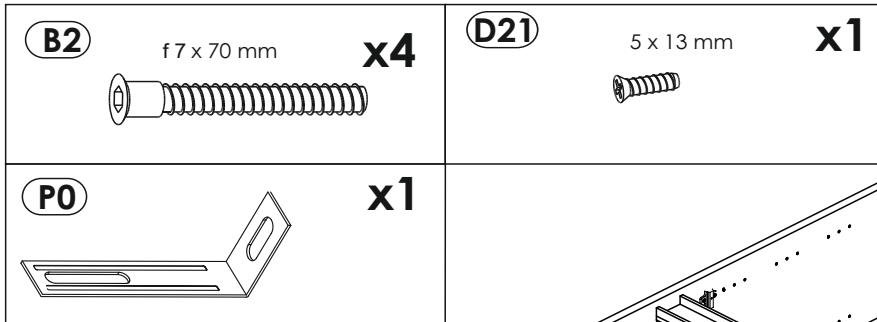
8 ▶



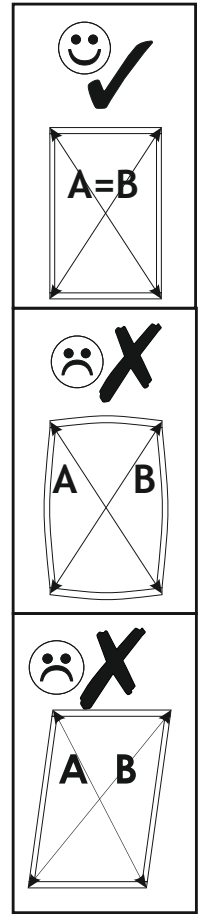
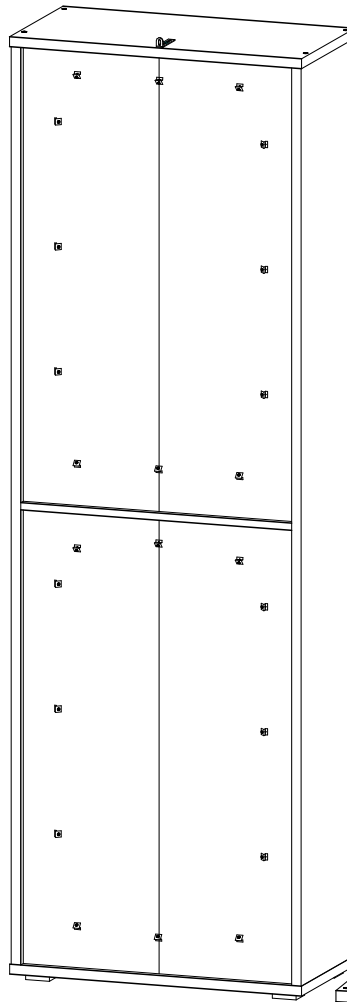
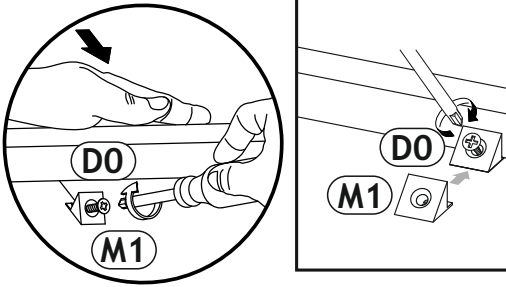
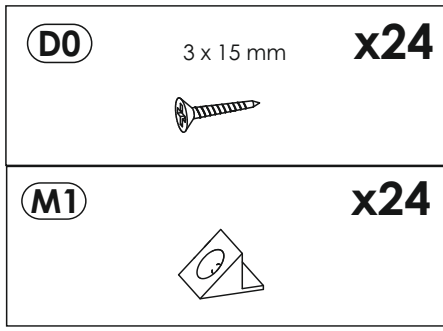
9 ▶



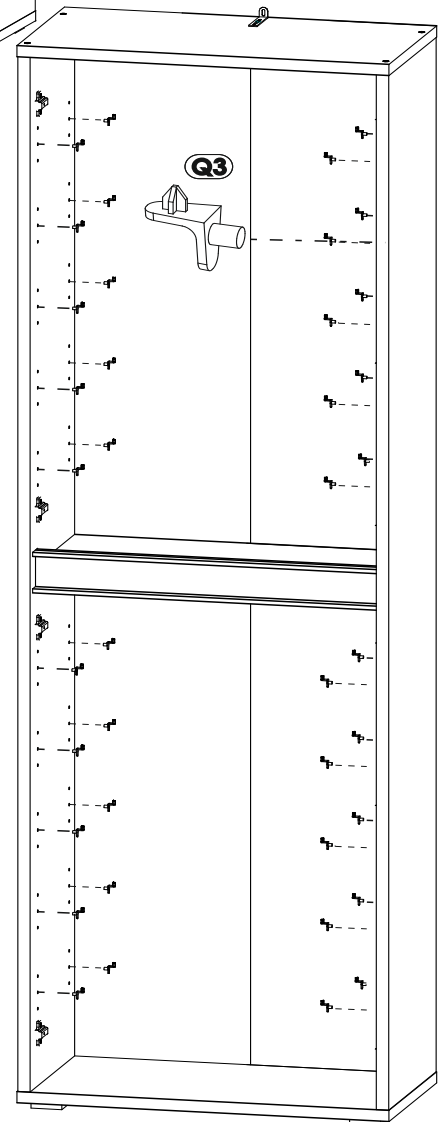
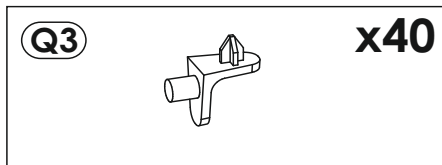
10 ▶



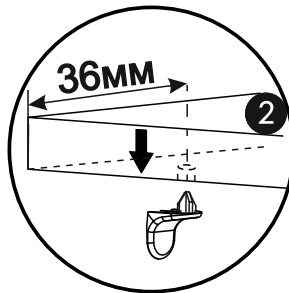
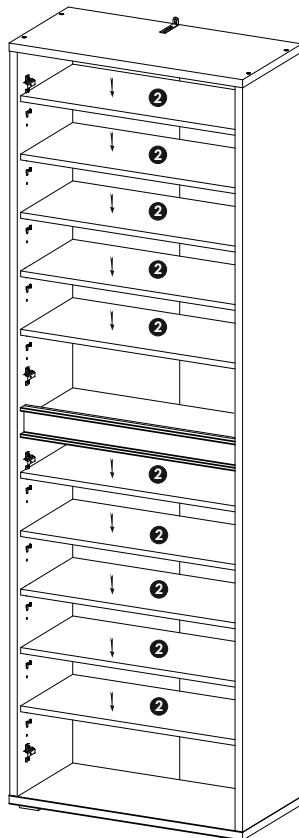
11 ▶



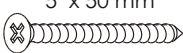


12 ▶

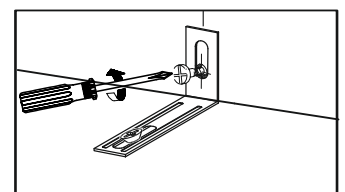
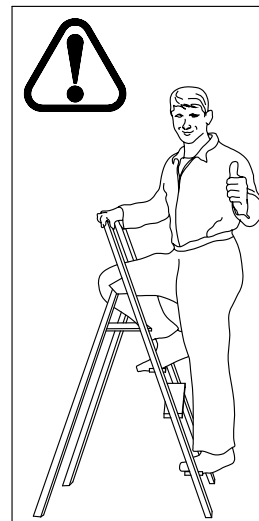
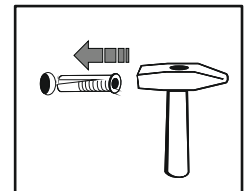
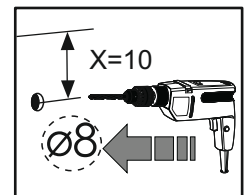
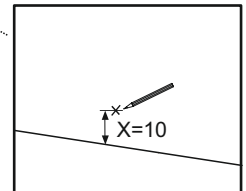
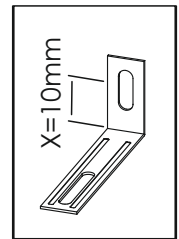
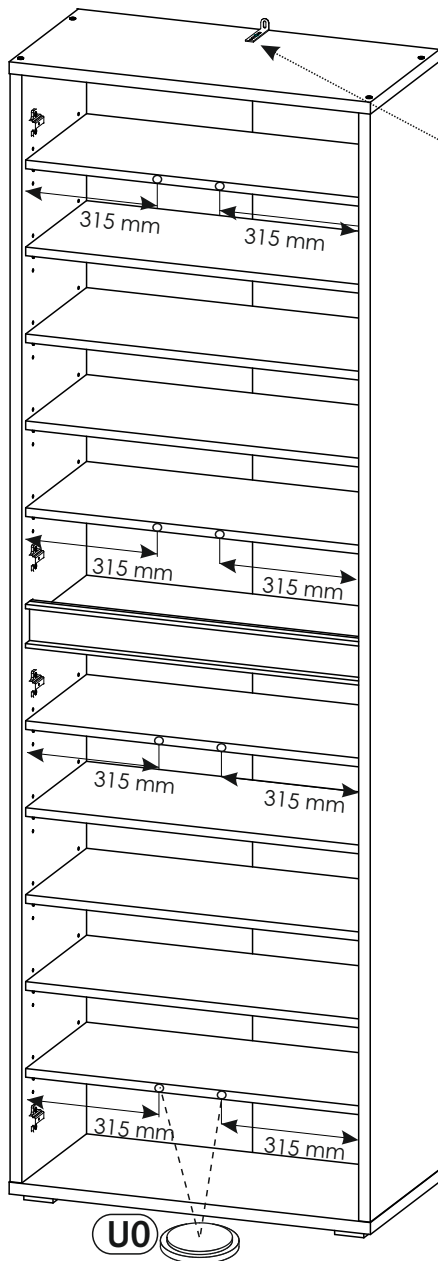
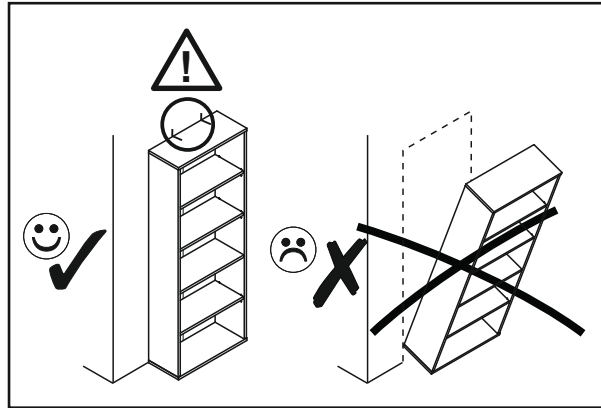
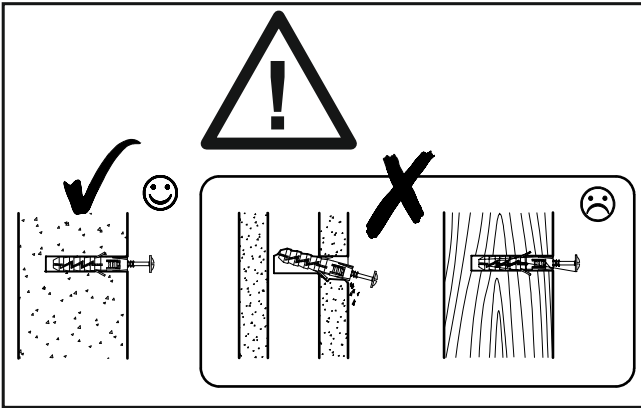


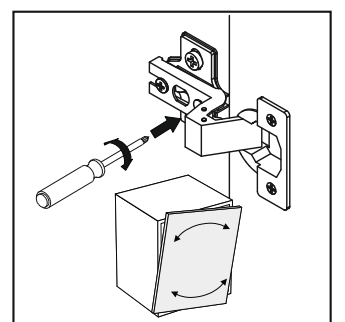
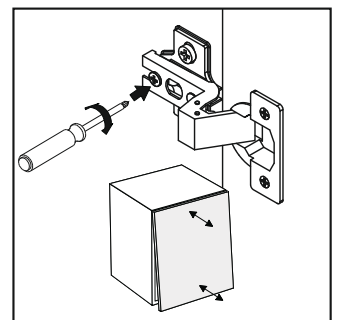
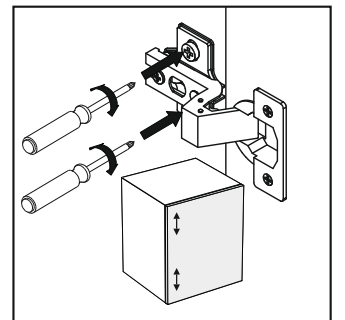
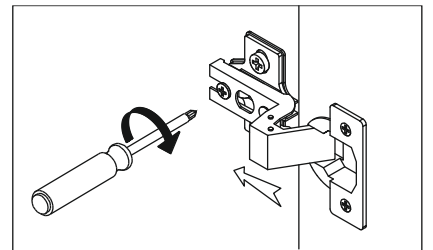
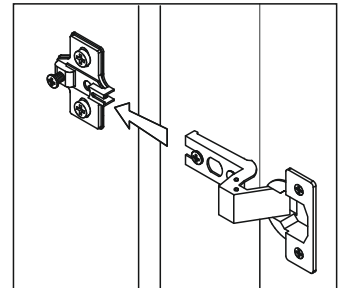
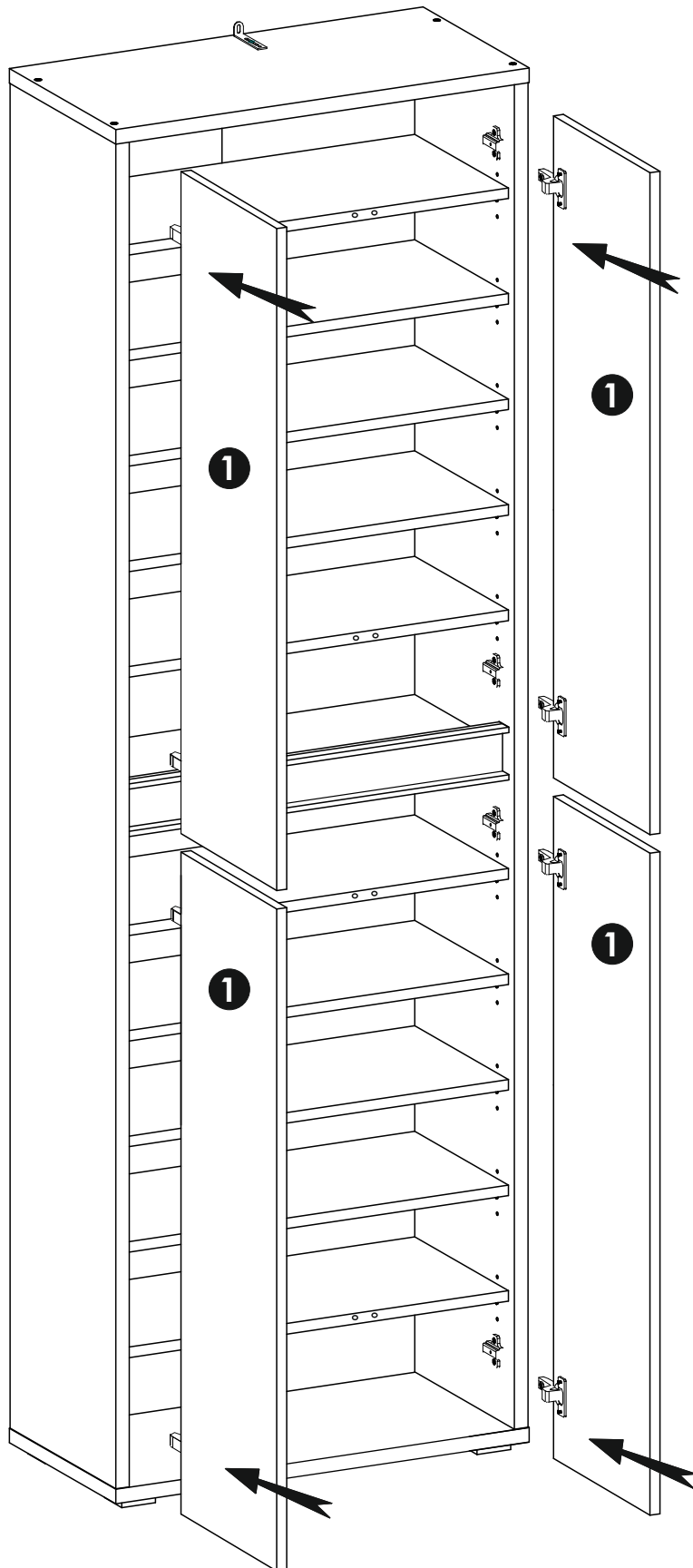
13 ▶



# 14 ▶

<p><b>E0</b> 5 x 50 mm <b>x1</b></p>  <p>8 x 50 mm</p> 	<p><b>U0</b> <b>x8</b></p> 
---	--





16 ▶

