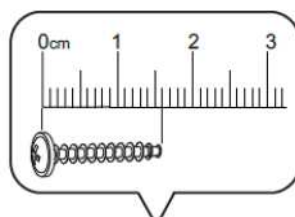
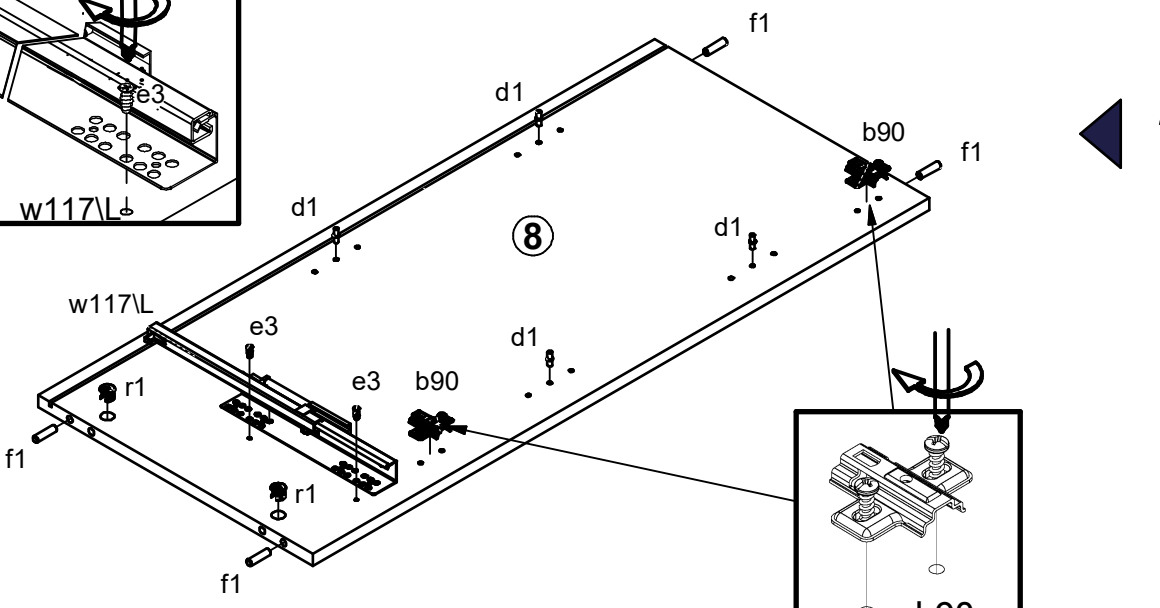
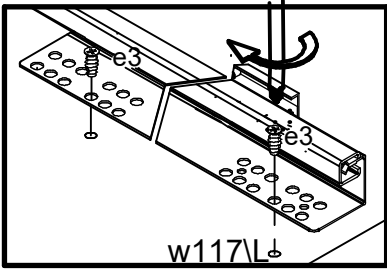
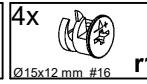
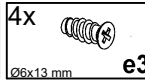
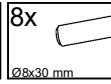
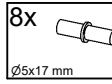


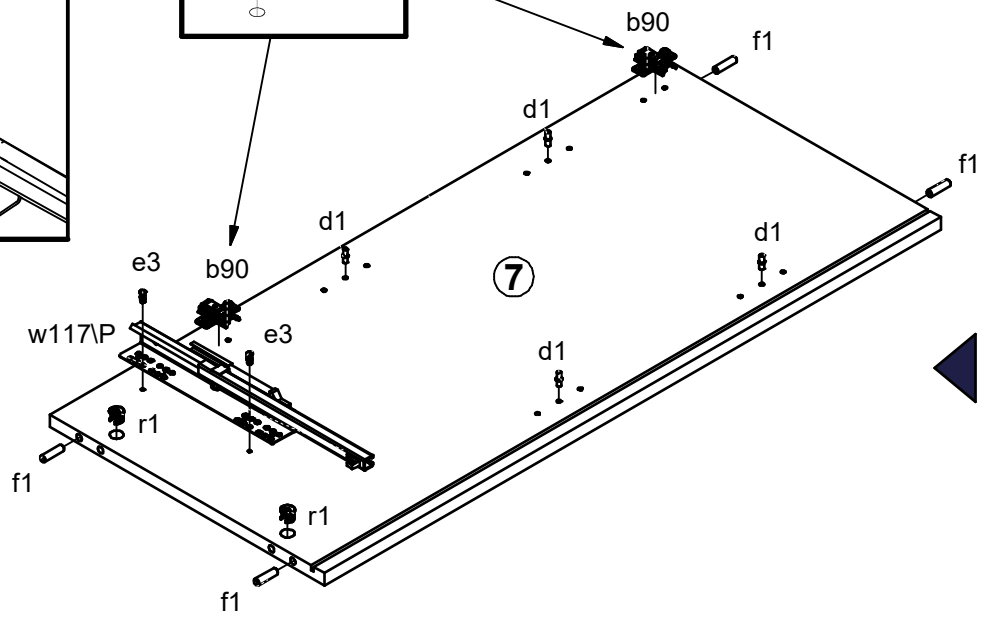
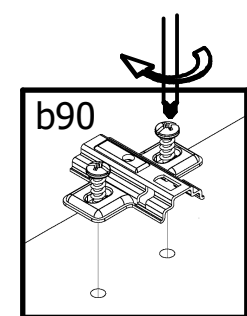
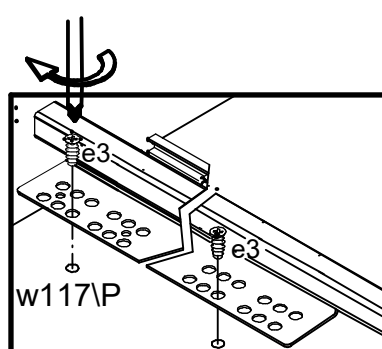
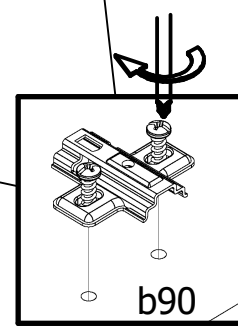
A	B1	B2	C1	C2	C3	D
1	S577-0011	-4	596	156	19	3/3
2	S577-0012	-2	794	596	19	3/3
3	S577-0025	-4	794	596	19	3/3
4	S577-0026	-2	794	596	19	3/3
5	S577-0027	-2	596	156	19	3/3
6	S577-0028	-2	596	156	19	3/3
7	S577-1028	-3	923	411	16	2/3
8	S577-1029	-3	923	411	16	2/3
9	S577-1030	-4	923	391	16	1/3
10	S577-1031	-4	923	391	16	1/3
11	S577-2016	-3	1800	411	16	2/3
12	S577-2017	-6	1800	411	16	2/3
13	S577-3016	-2	575	387	16	1/3
14	S577-3017	-2	585	391	16	1/3
15	S577-3019	-3	577	150	6	1/3
16	S577-5011	-2	218	218	15	3/3
17	S577-5502	-5	506	355	4	3/3
18	S577-9005	-4	933	588	2,5	3/3
19	S577-9006	-3	933	600	2,5	3/3
20	S577-9007	-3	933	588	2,5	3/3
21	WSP-9552	-.1	545	358	2,5	2/3
22	WSP-9598	B.53	555	358	2,5	2/3
23	WSQ2-5005	-.7	350	110	12	1/3
24	WSQ2-5006	-.7	350	110	12	1/3
25	ZQ6-5391	A.29	545	97	15	1/3
26	ZQ6-5393	A.29	535	97	15	1/3



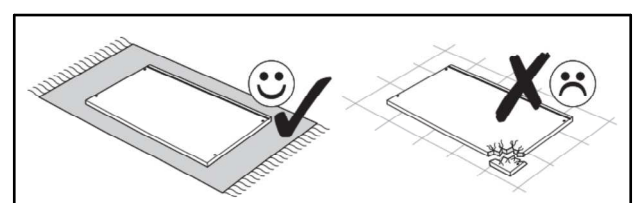
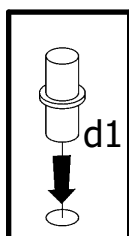
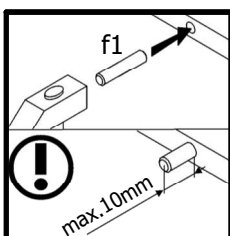
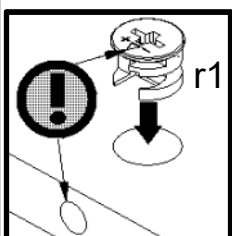


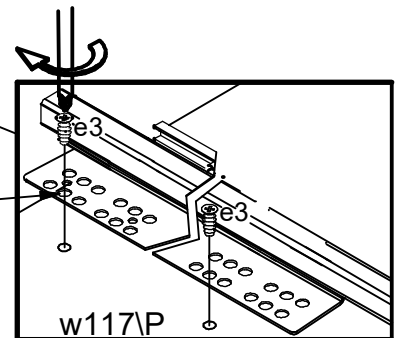
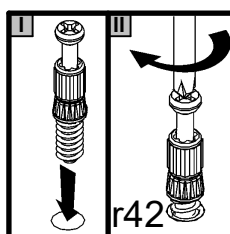
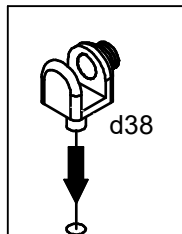
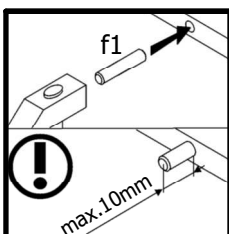
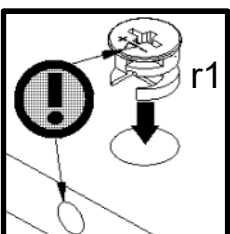
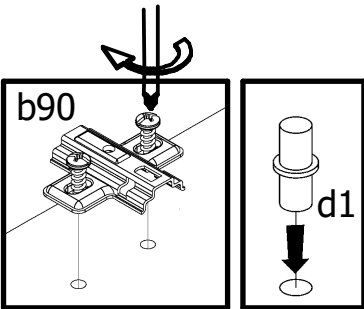
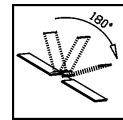
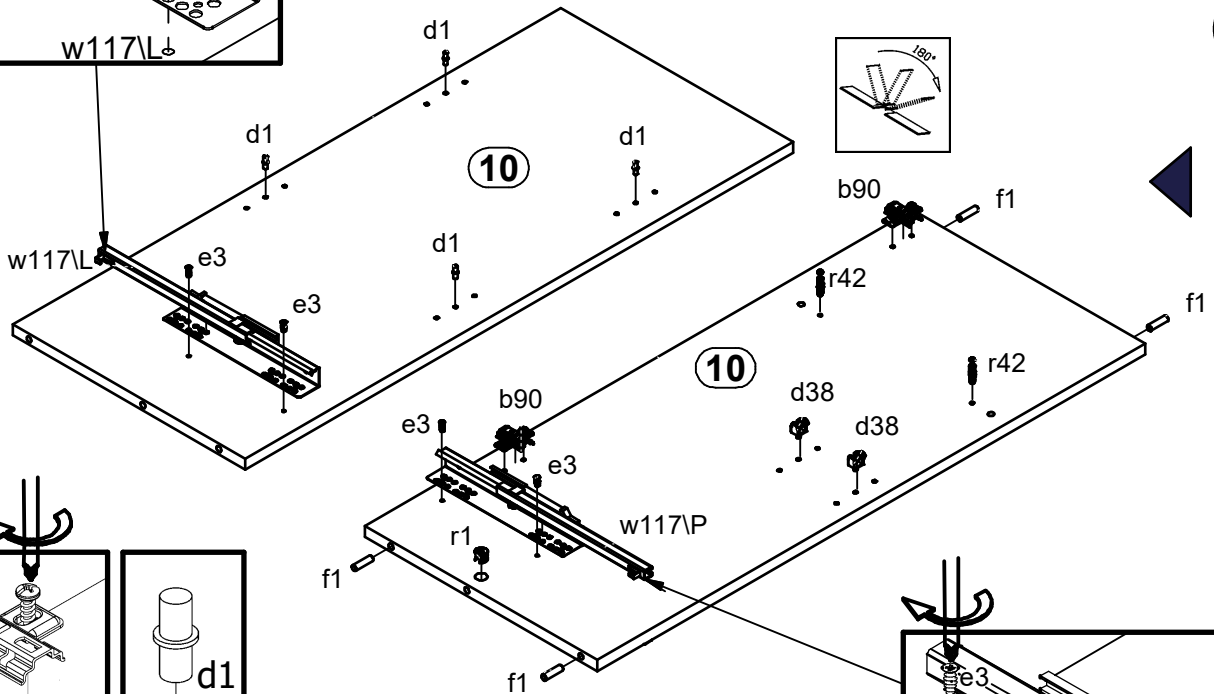
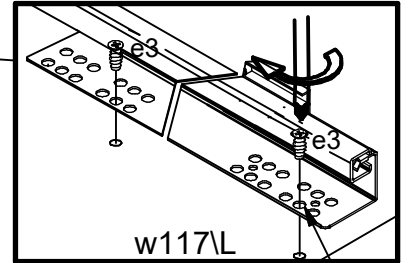
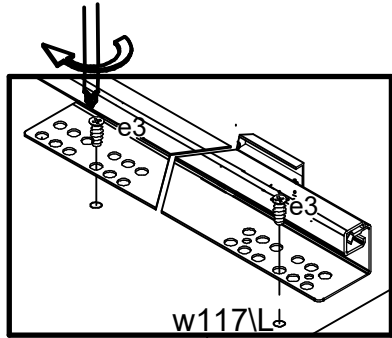
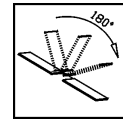
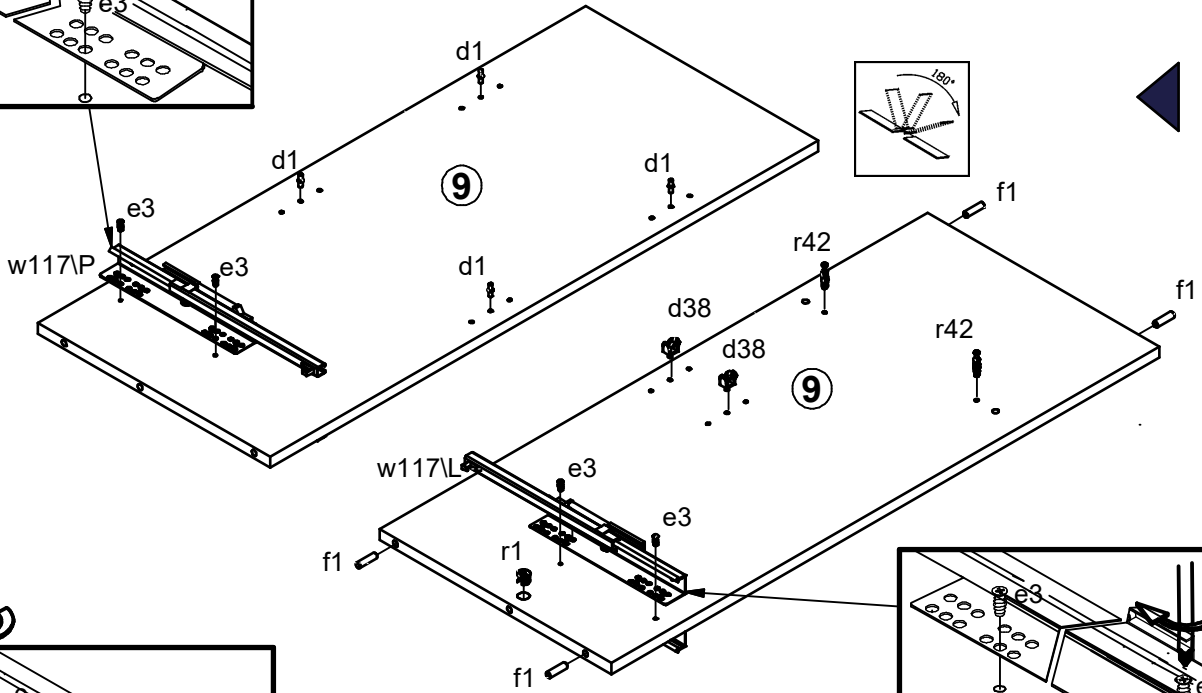
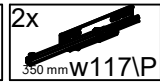
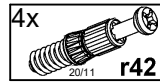
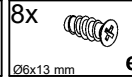
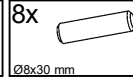
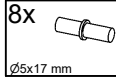
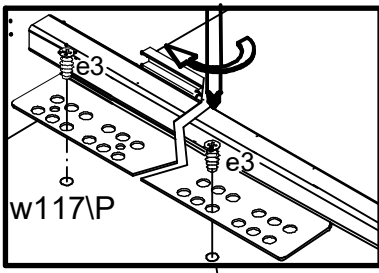


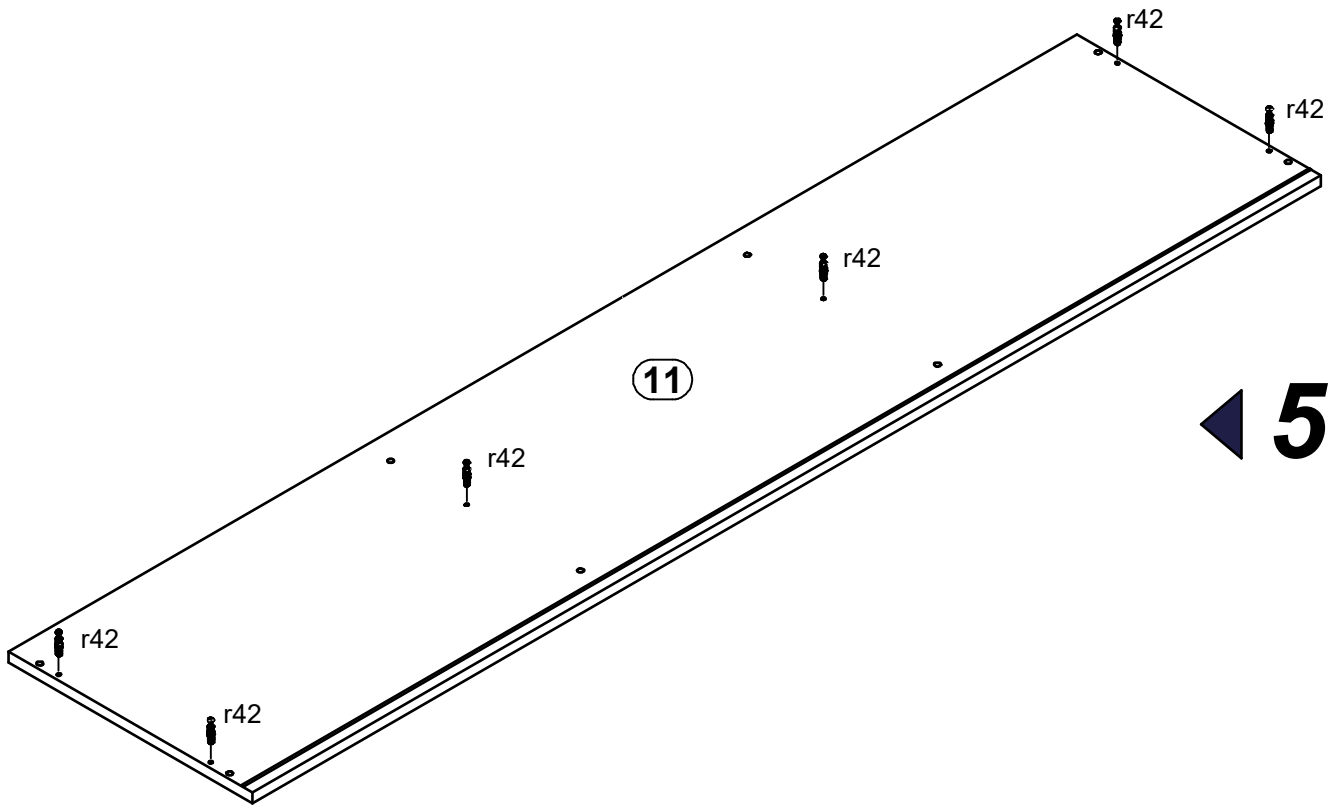
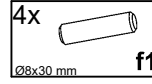
1



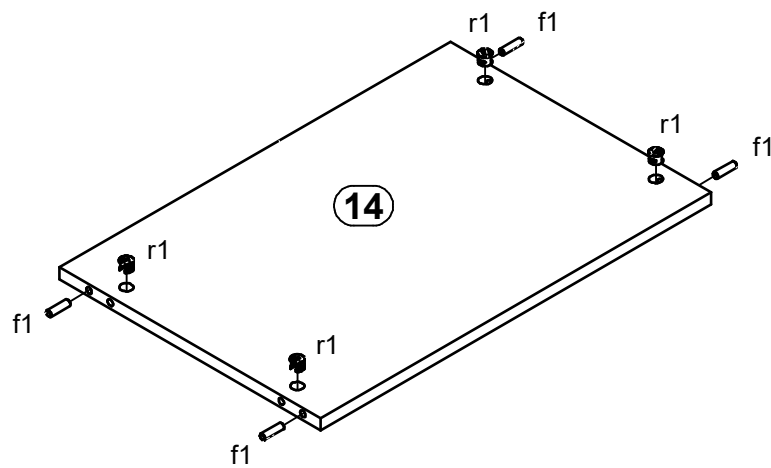
2



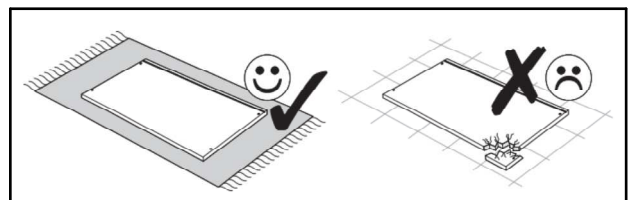
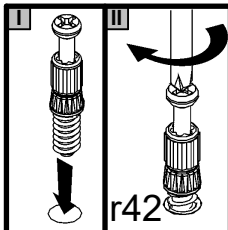
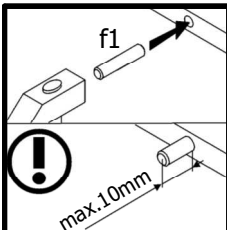
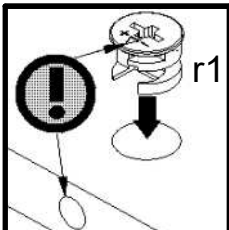


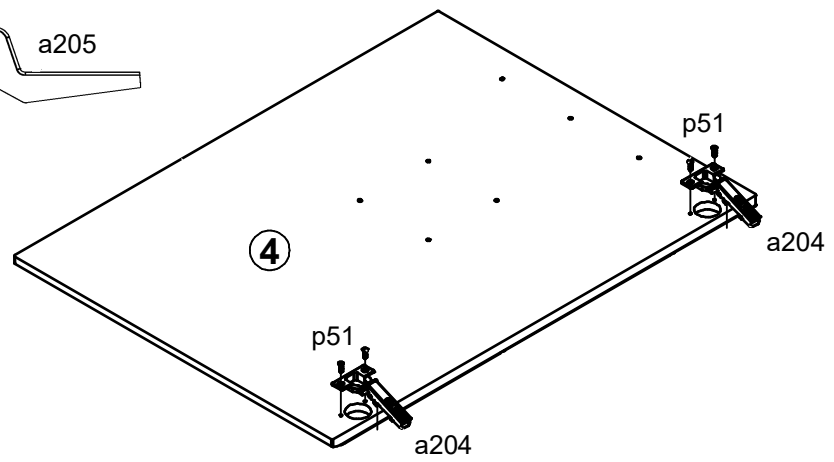
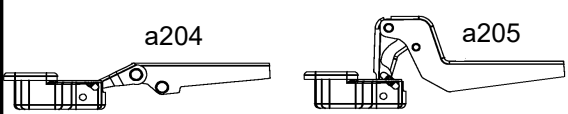
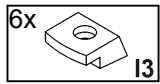
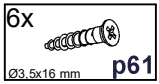
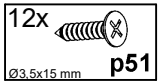
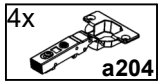
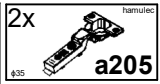
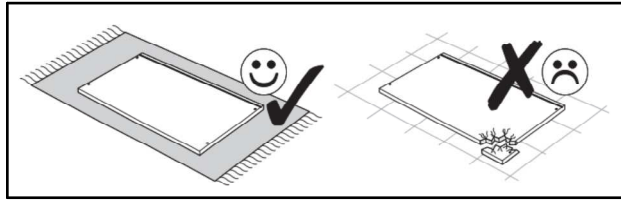


5

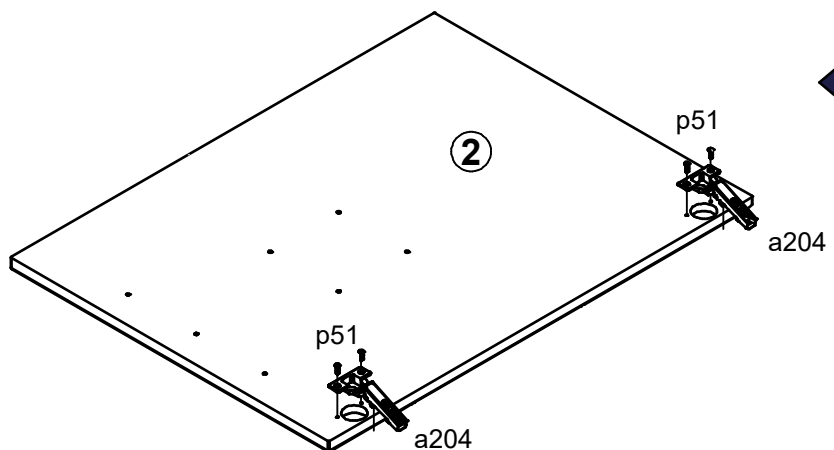
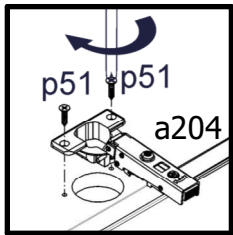


6

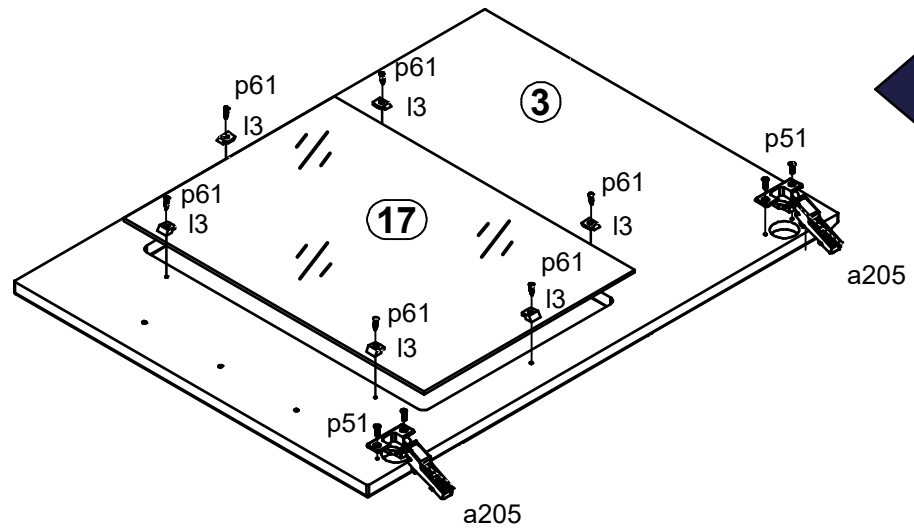
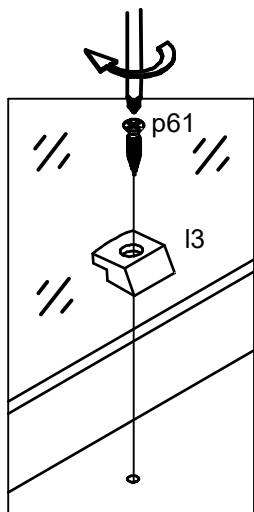




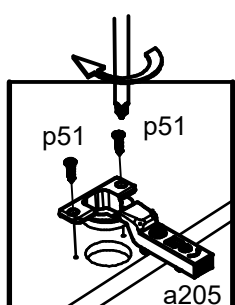
7

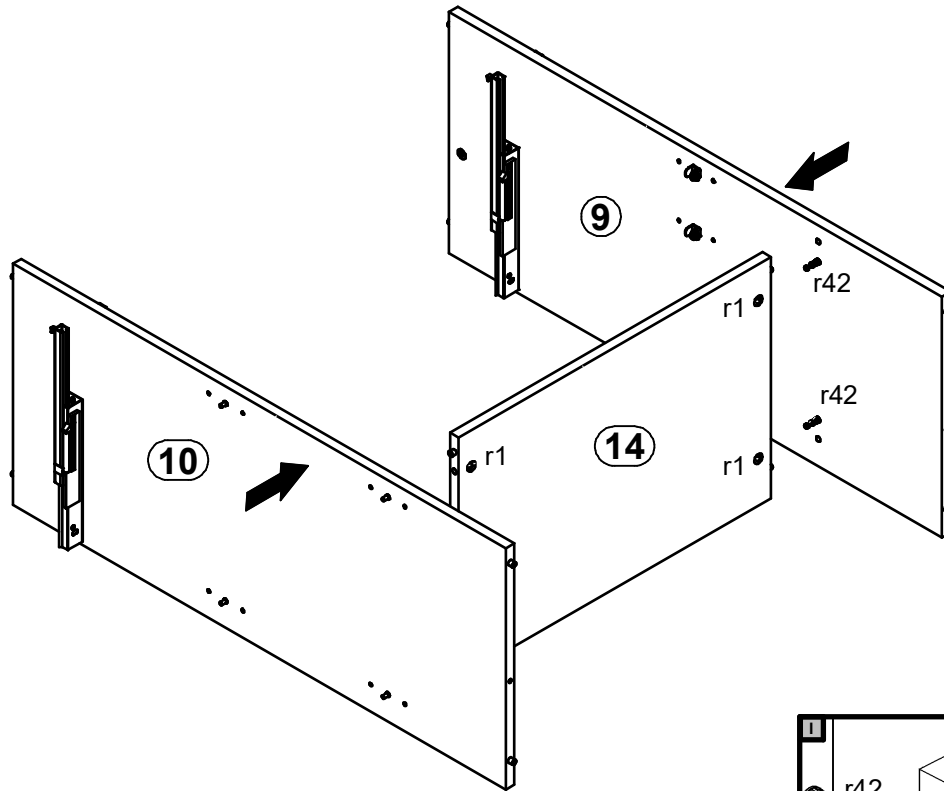


8

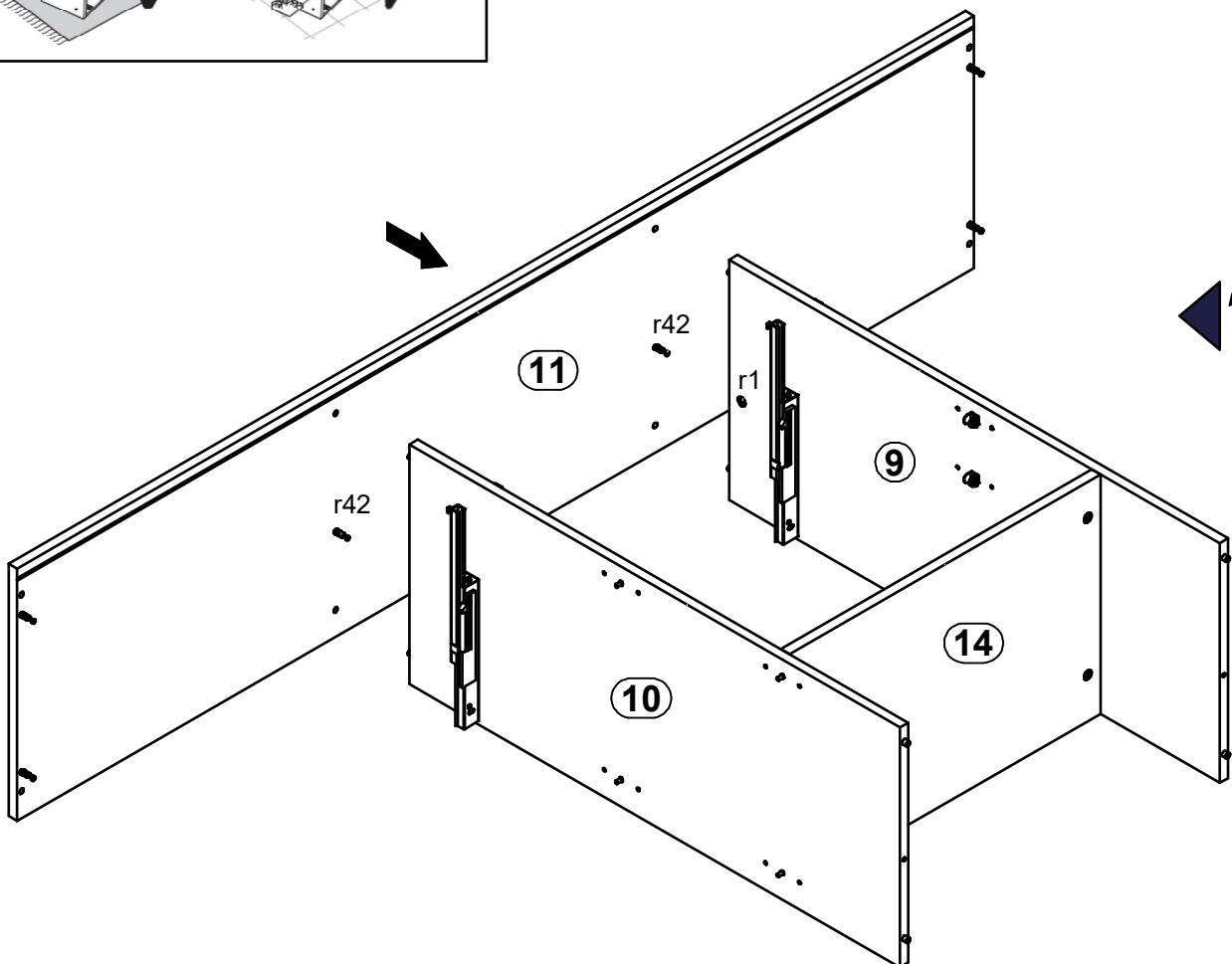
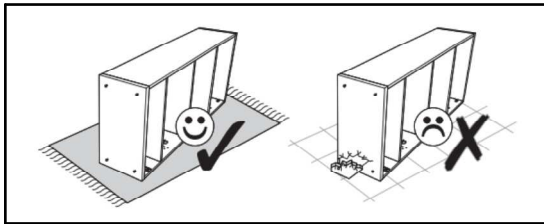
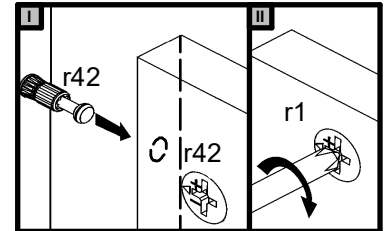


9

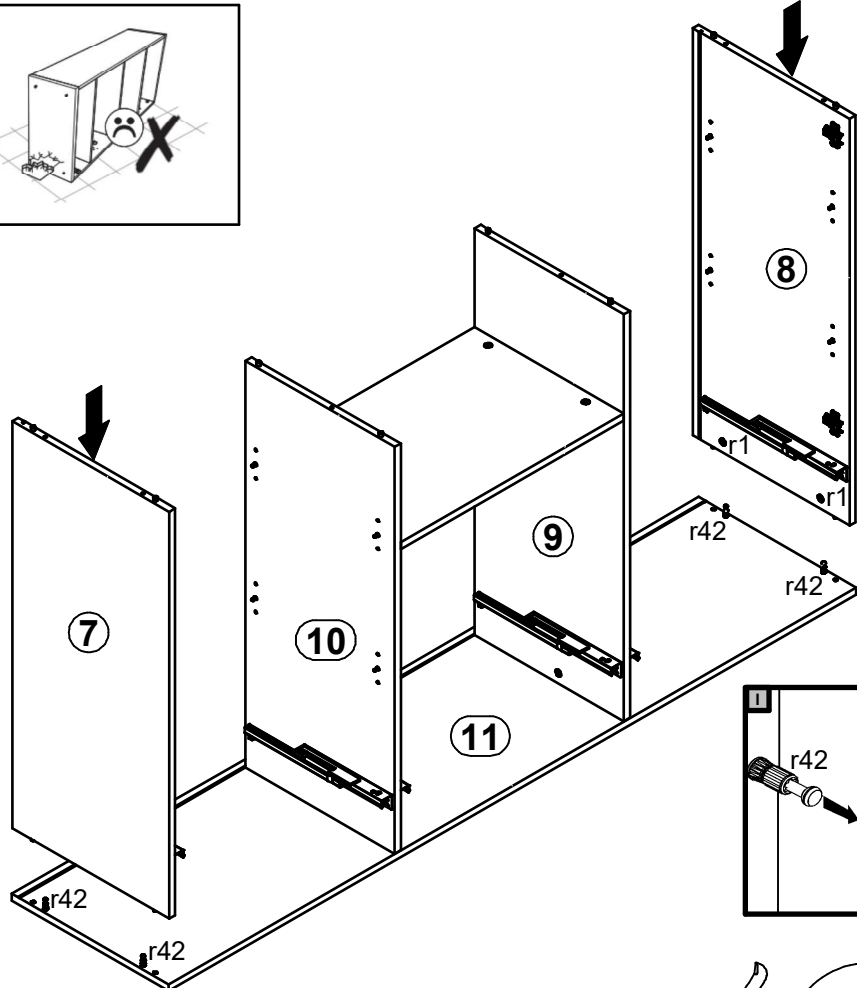
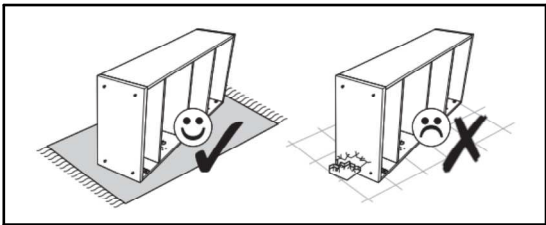




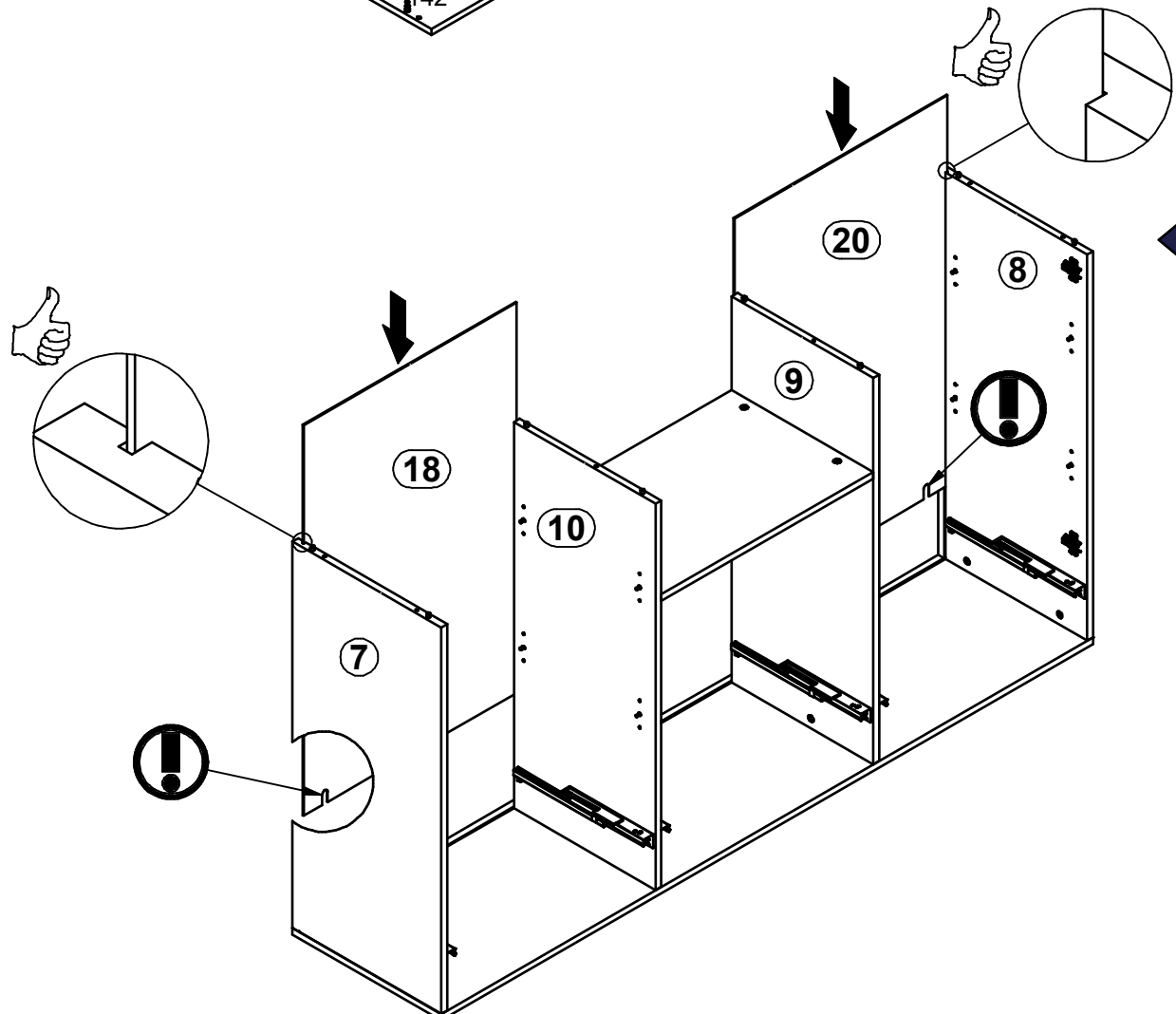
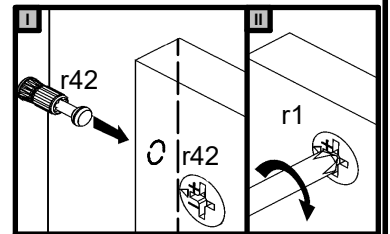
10



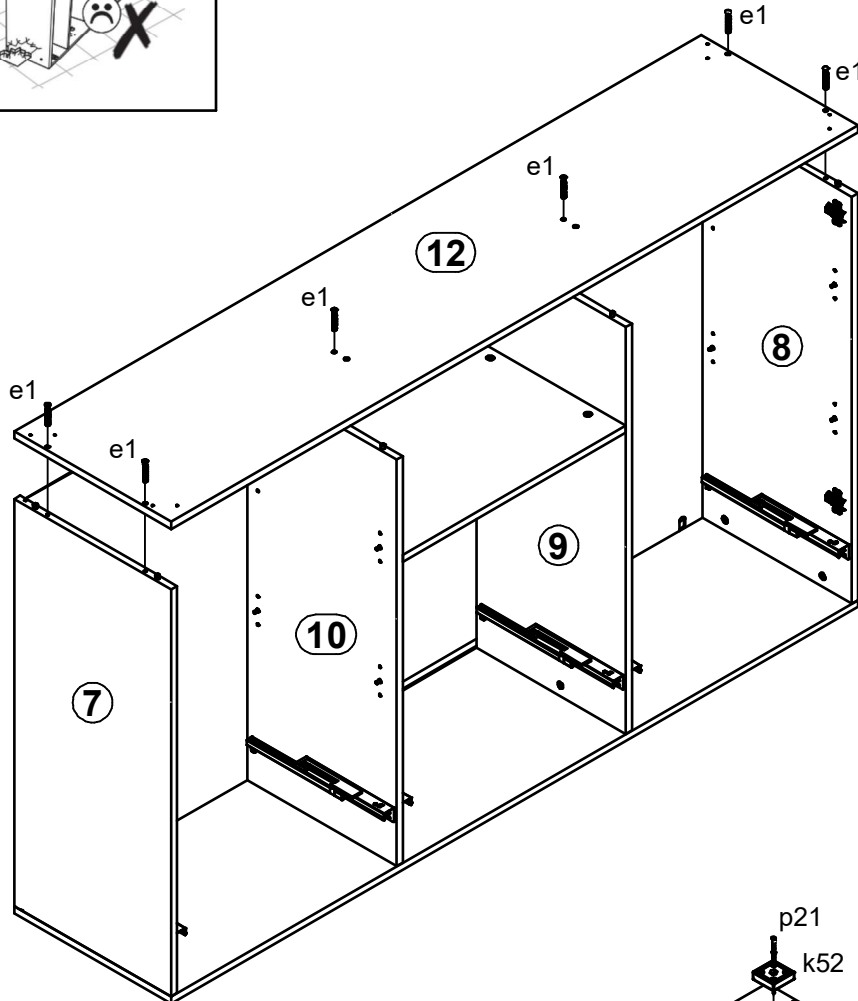
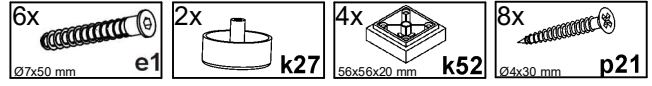
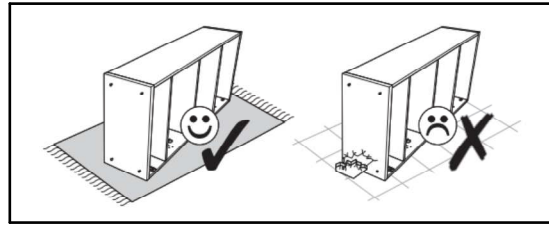
11



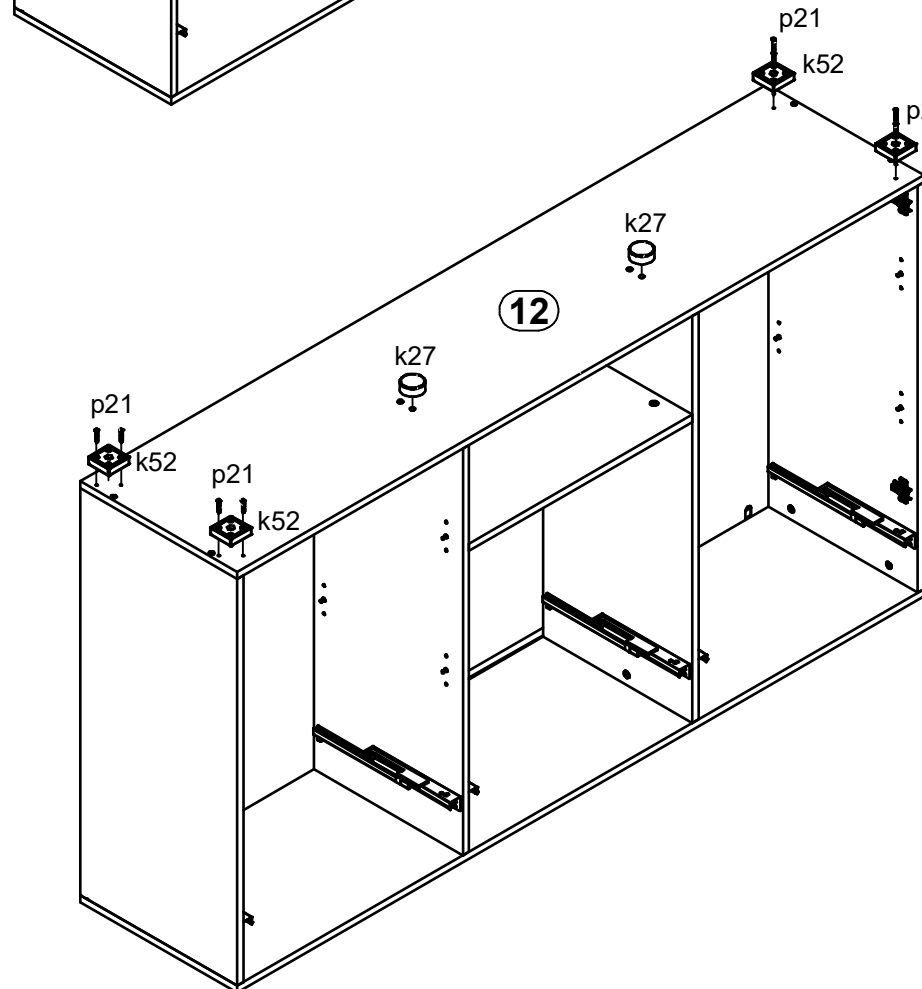
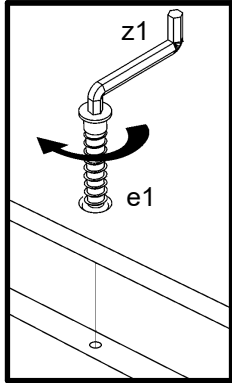
12



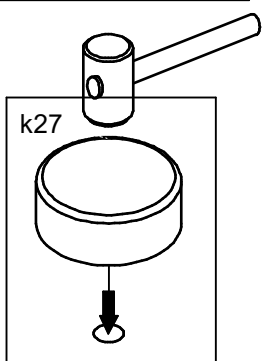
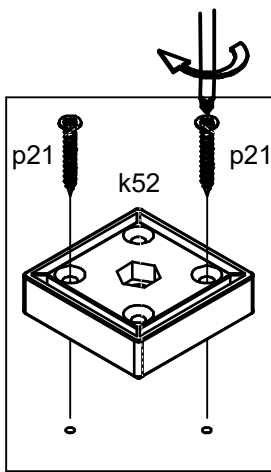
13



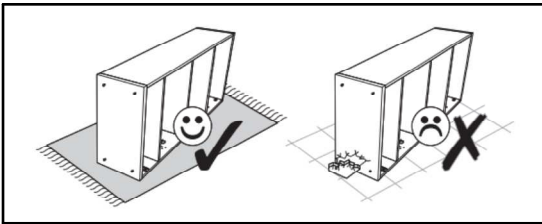
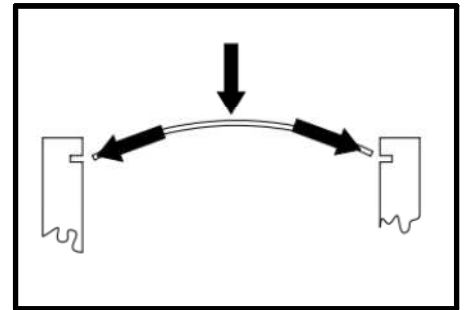
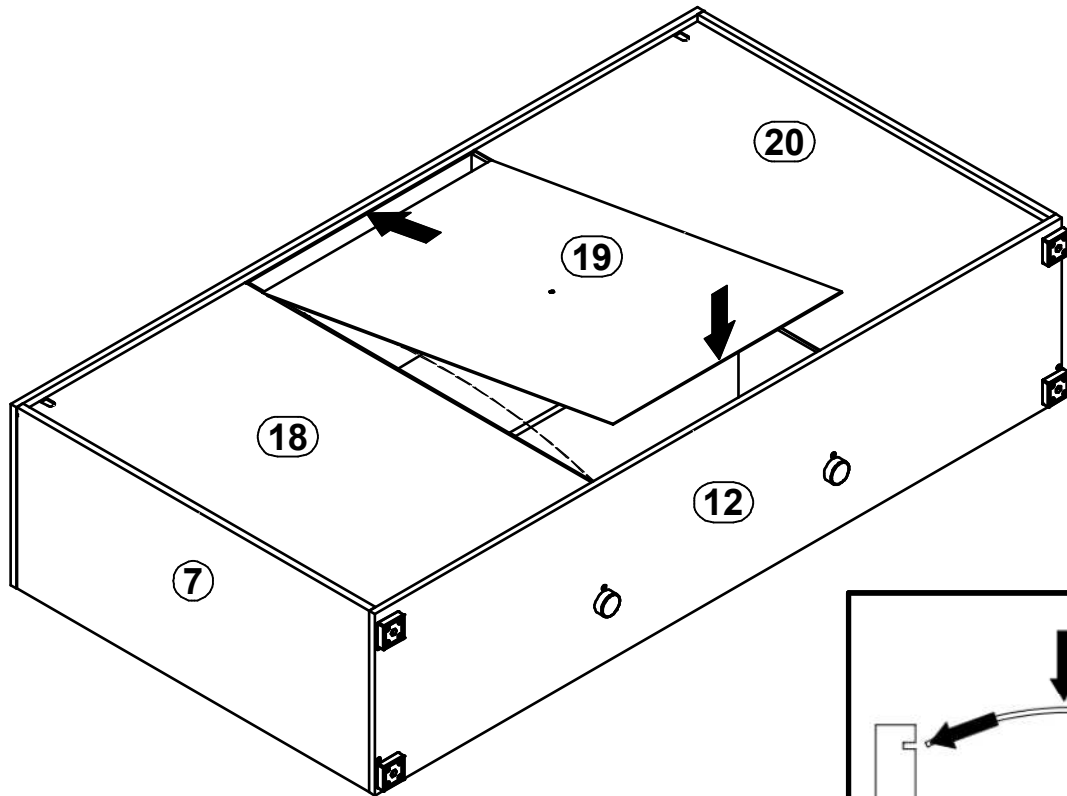
14



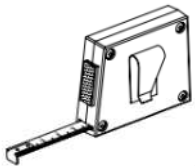
15



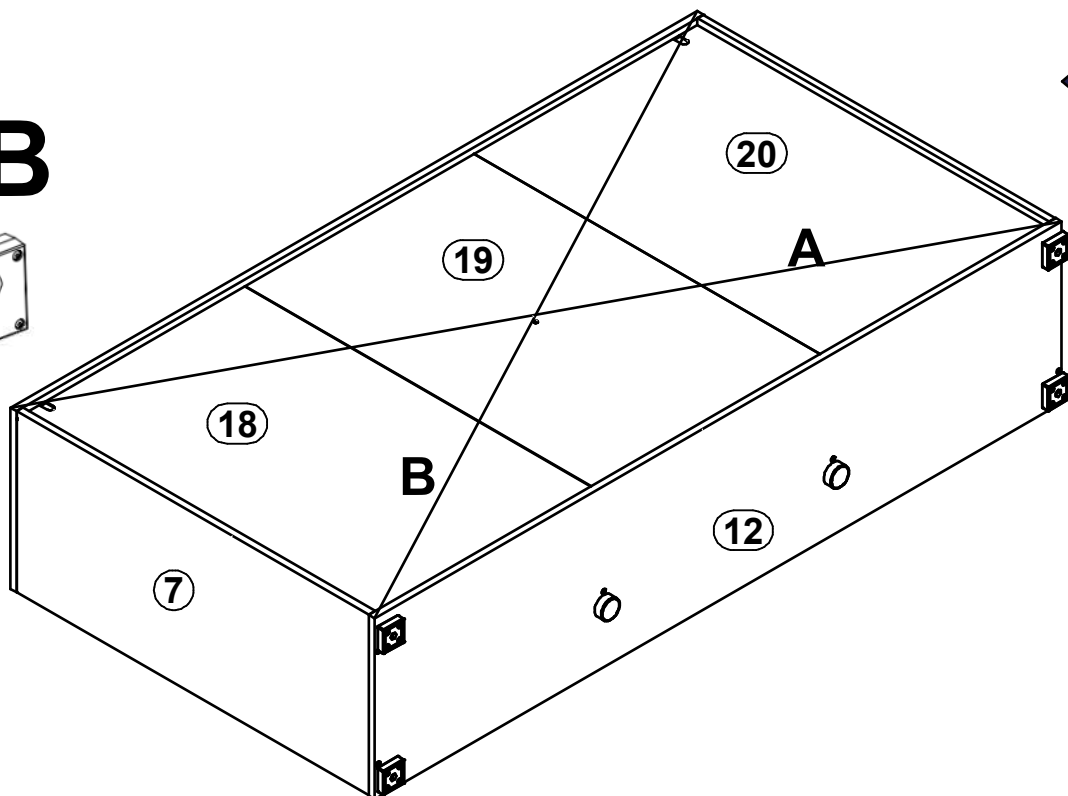
16

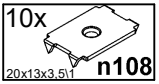
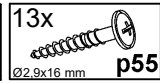
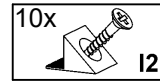
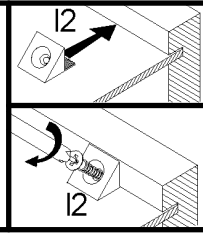
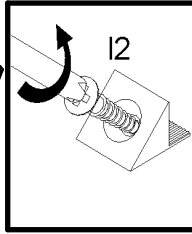
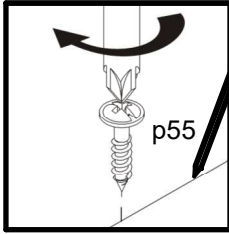
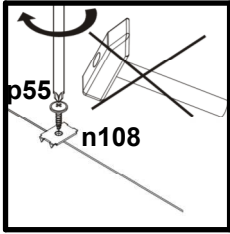


**!**  
**A=B**

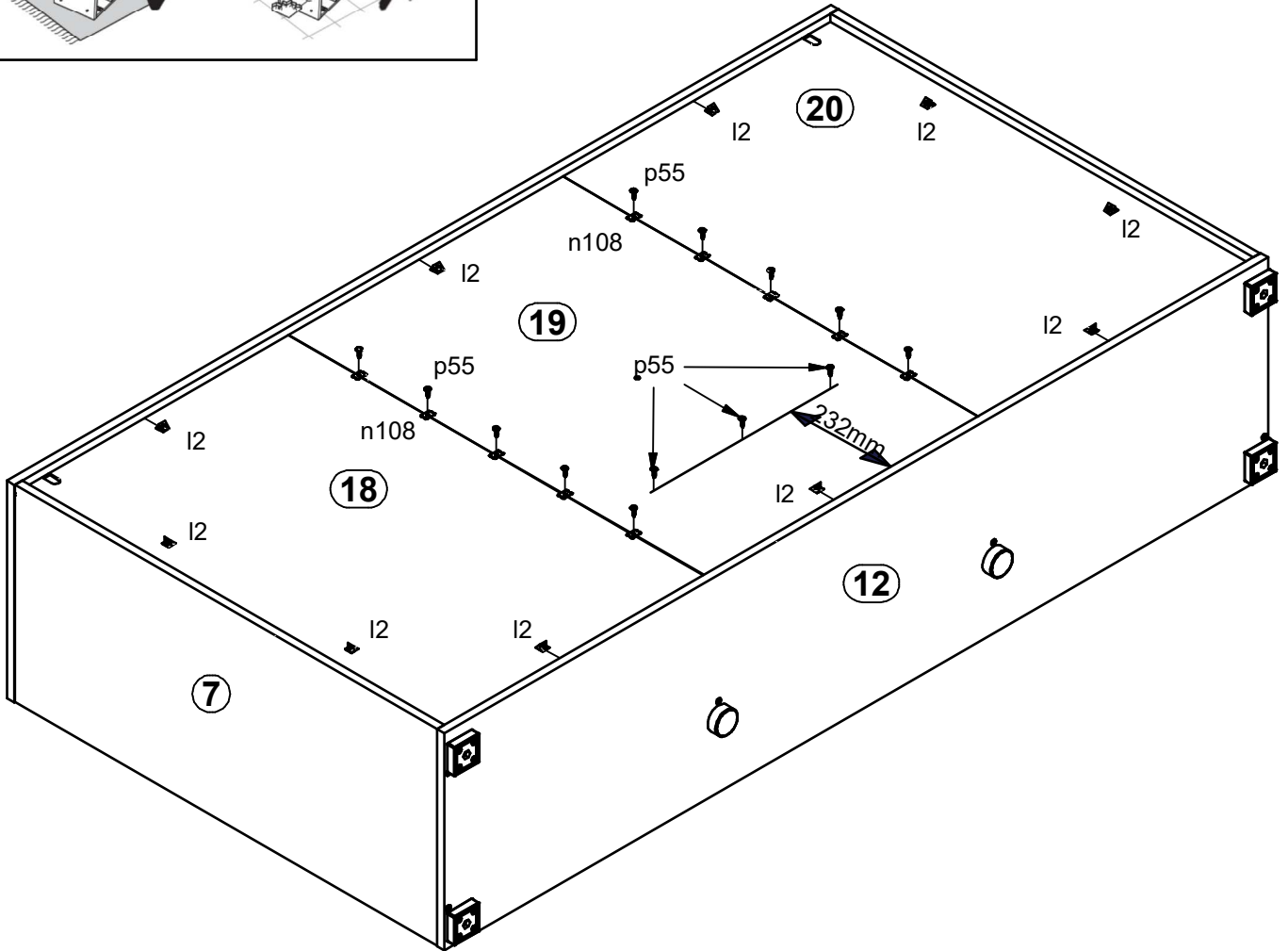
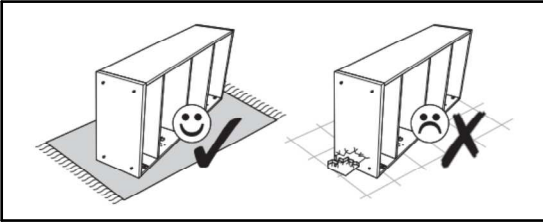


17





18

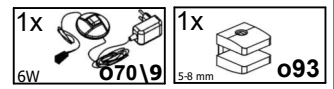
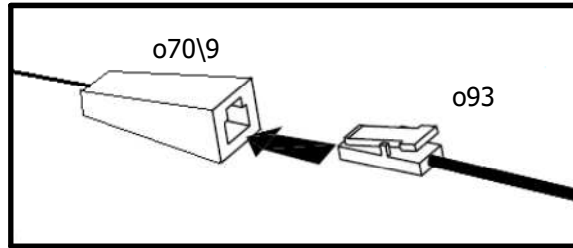
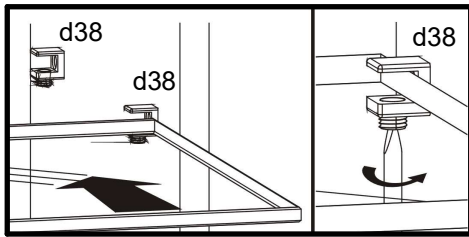


A

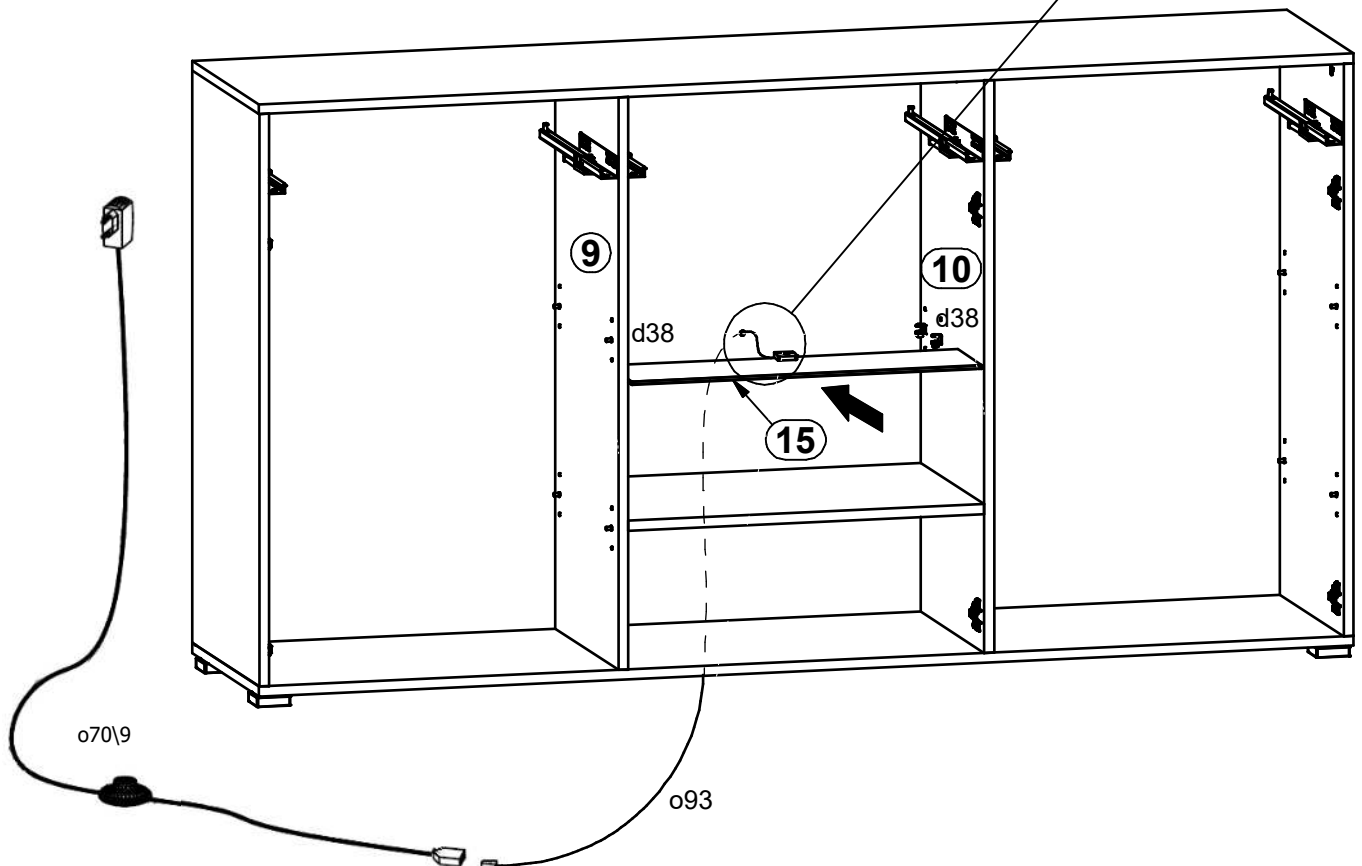
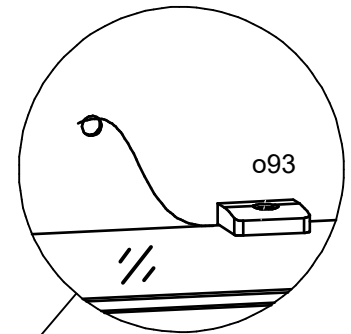
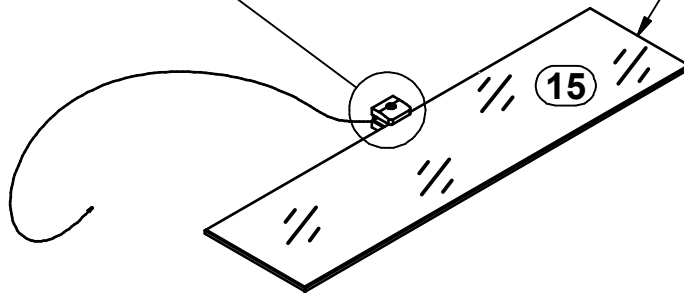
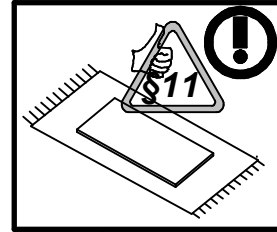
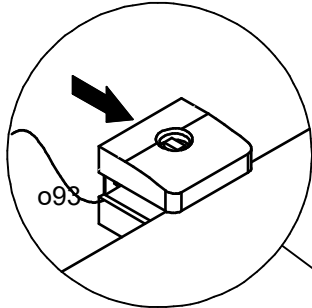
S577-KOM1W2D3S

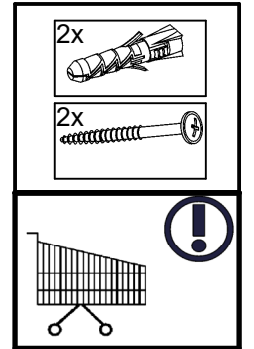
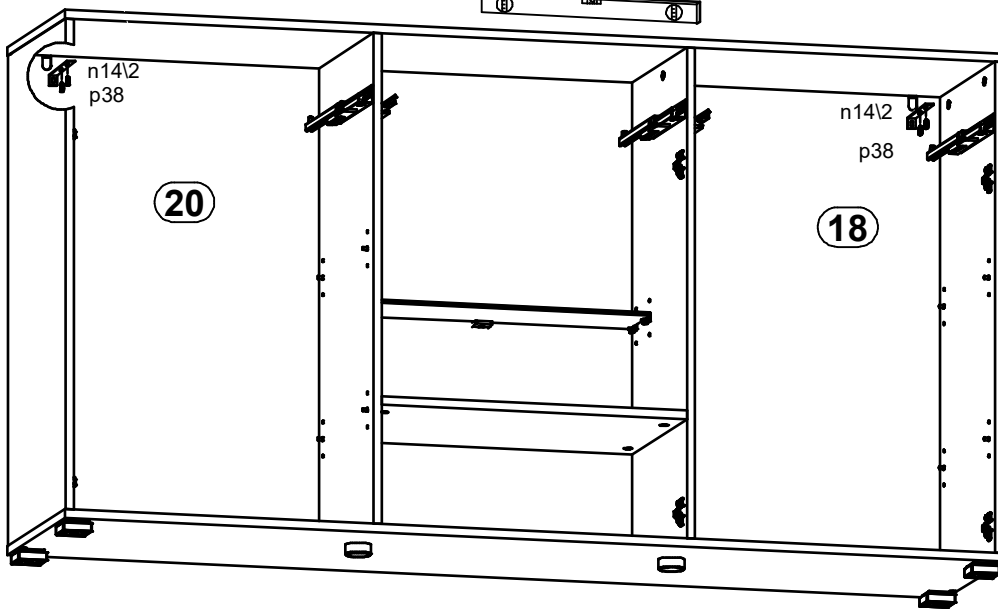
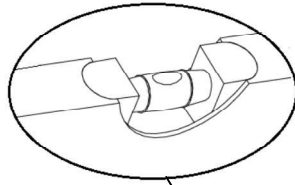
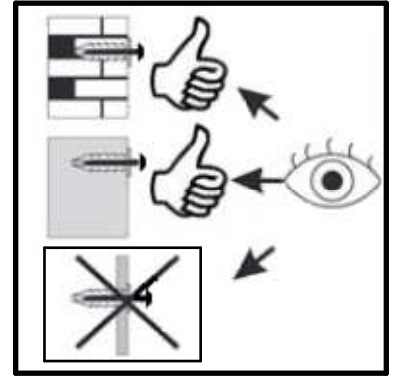
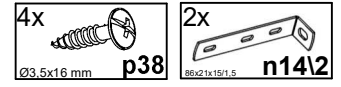
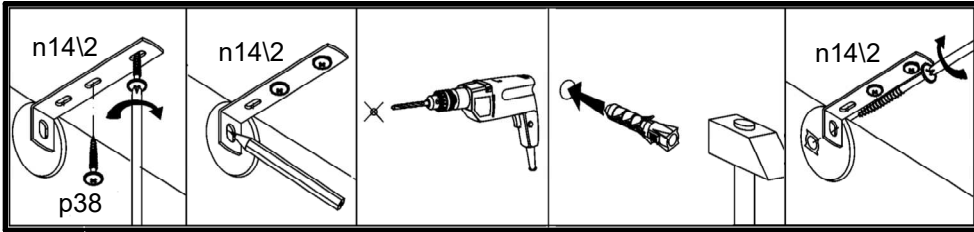
1BE6--21

14 /23

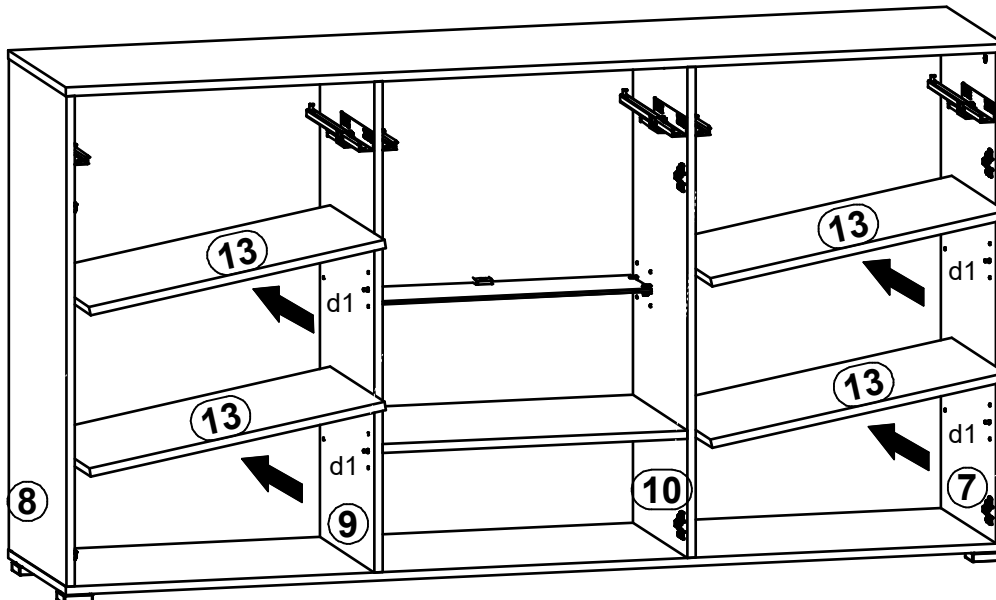


18

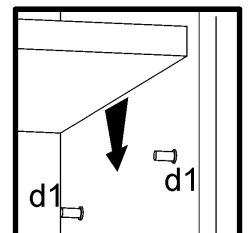


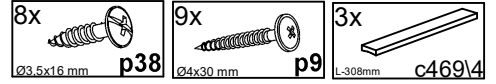
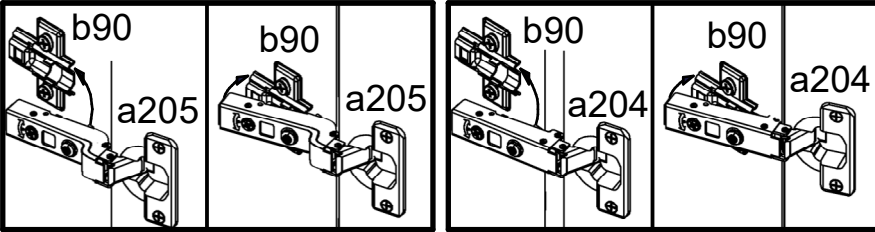


20

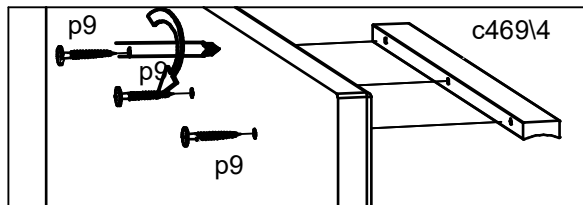
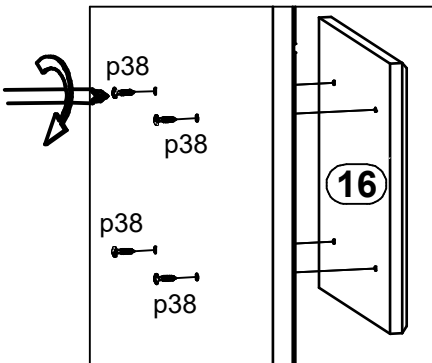
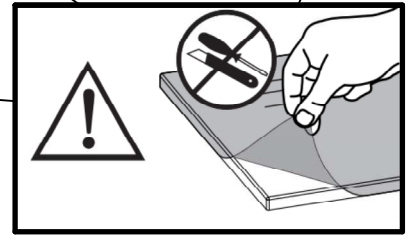
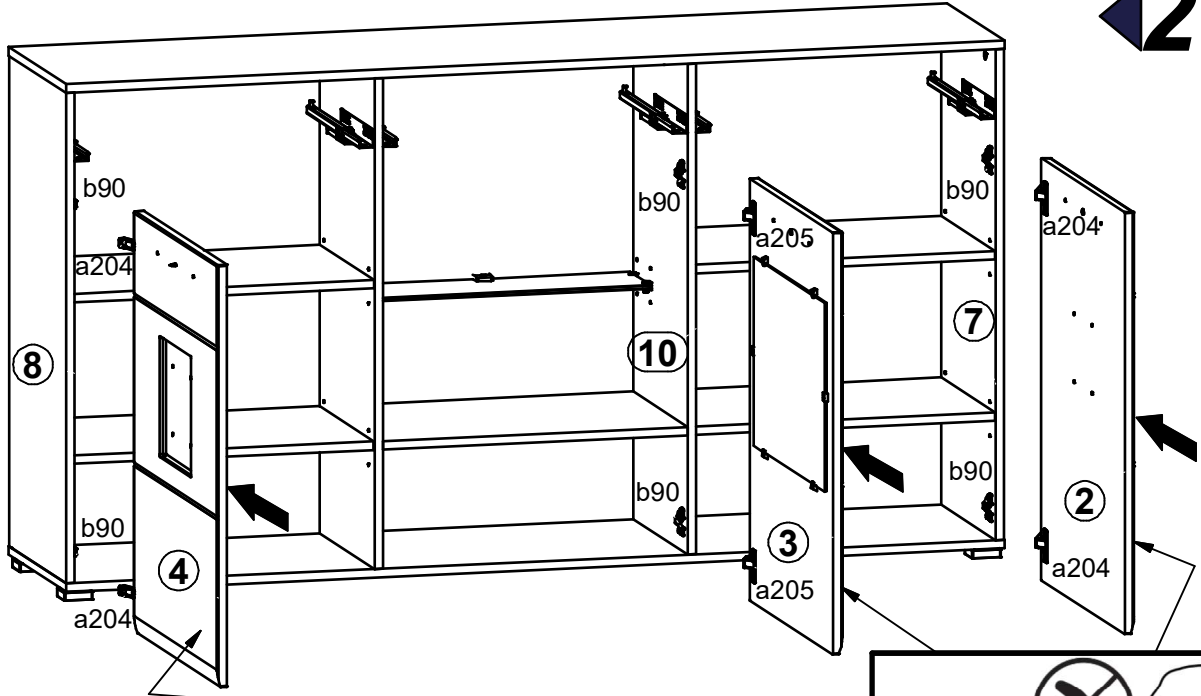


21

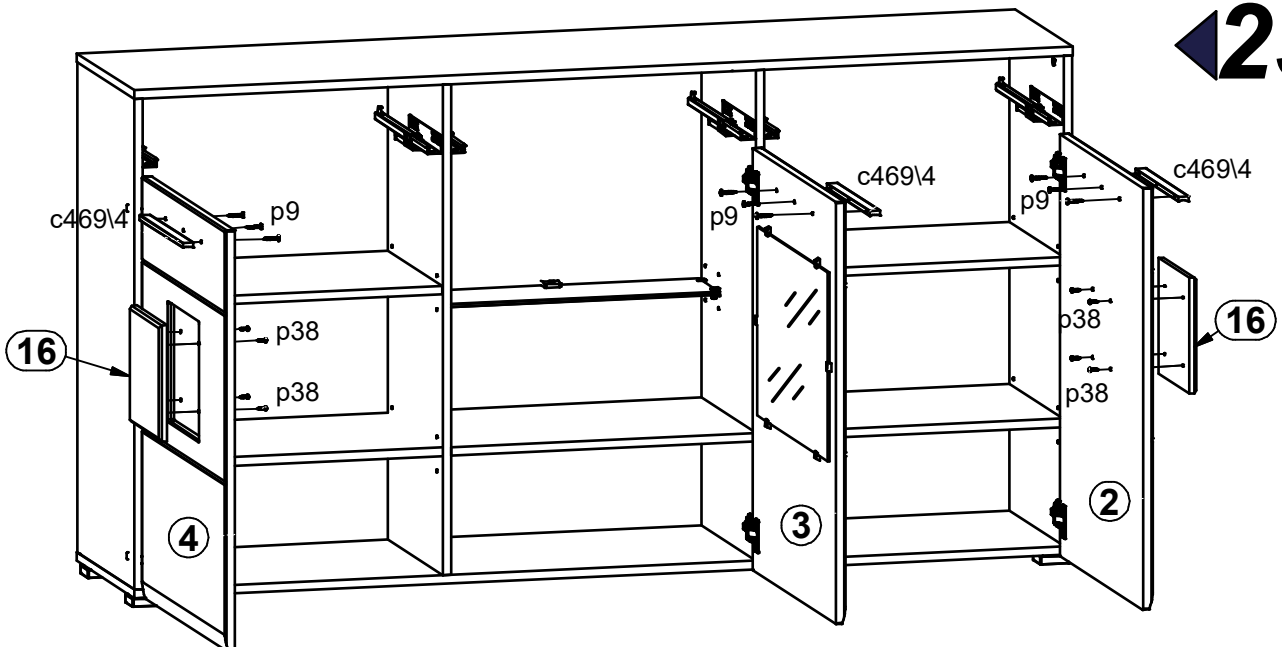


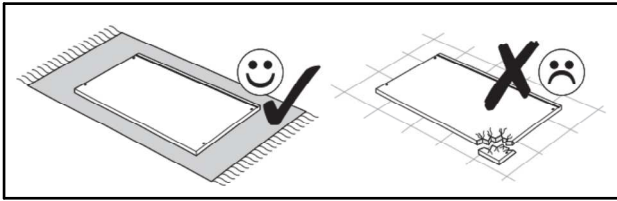


22



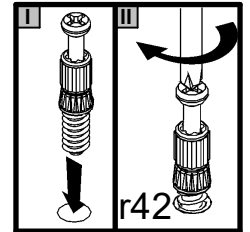
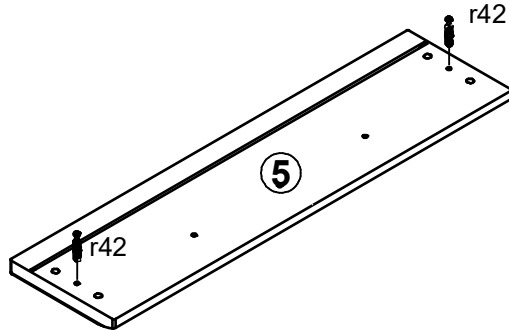
23



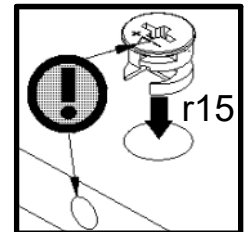
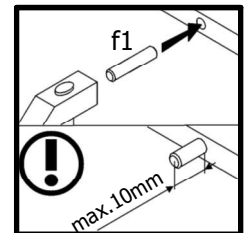
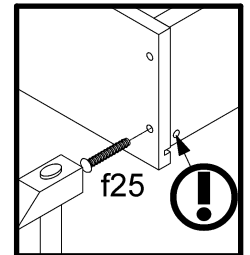
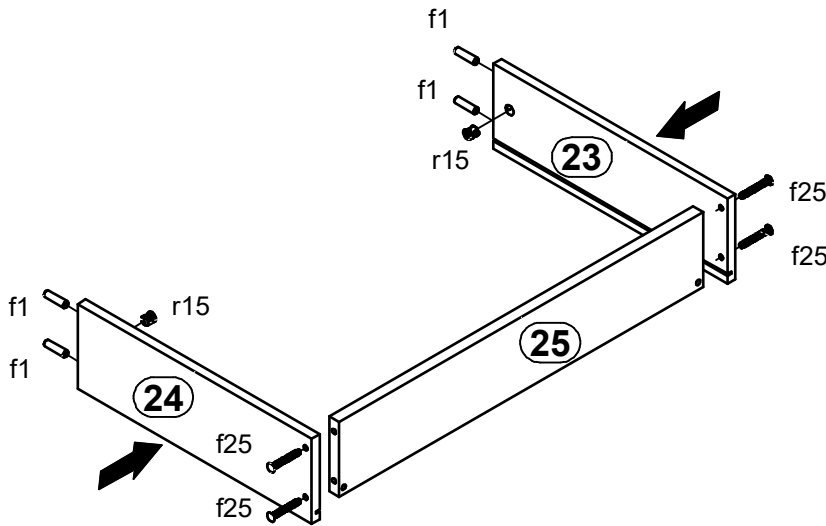


4x Ø6.5x40 mm f25	2x 20/11 r42	4x Ø8x30 mm f1	2x Ø12x10.5 mm #12 r15
-------------------------	--------------------	----------------------	------------------------------

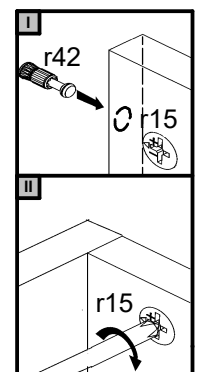
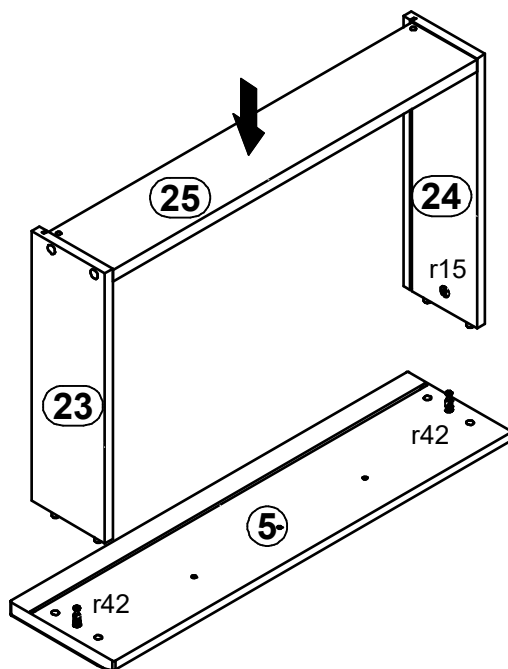
24▶

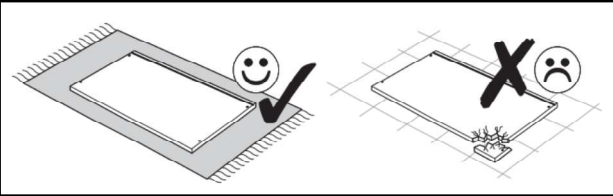


25▶



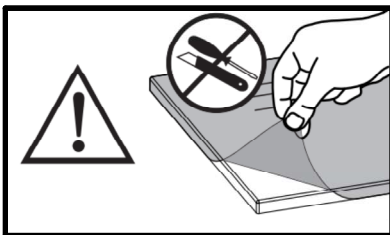
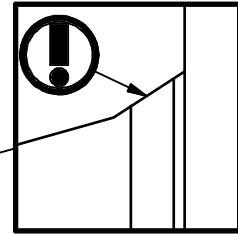
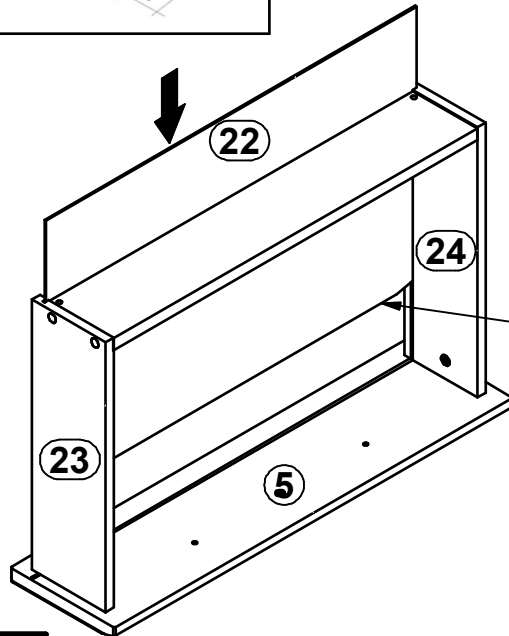
26▶



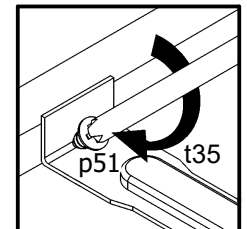
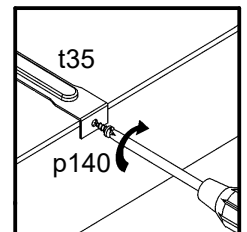
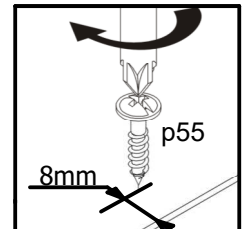
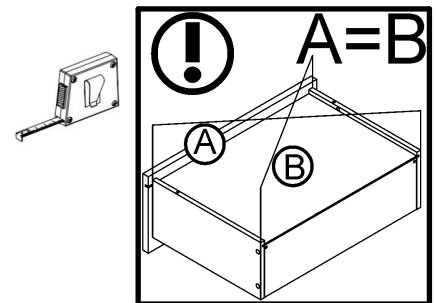
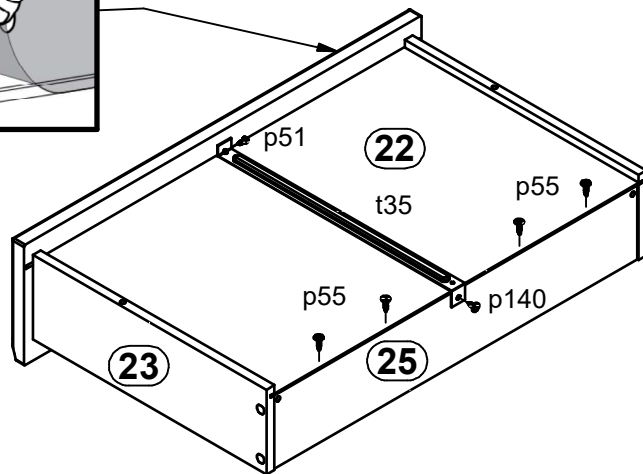


1x 350 mm t35	3x Ø4x30 mm p9	1x L-308mm c469\4
1x Ø3,5x12mm p140	1x Ø3,5x15 mm p51	4x Ø2,9x16 mm p55

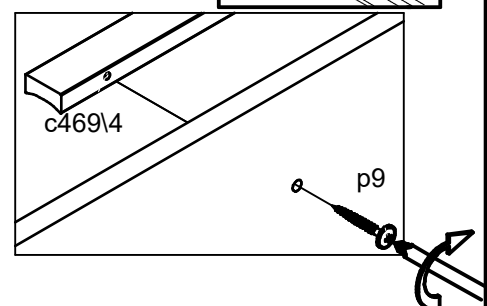
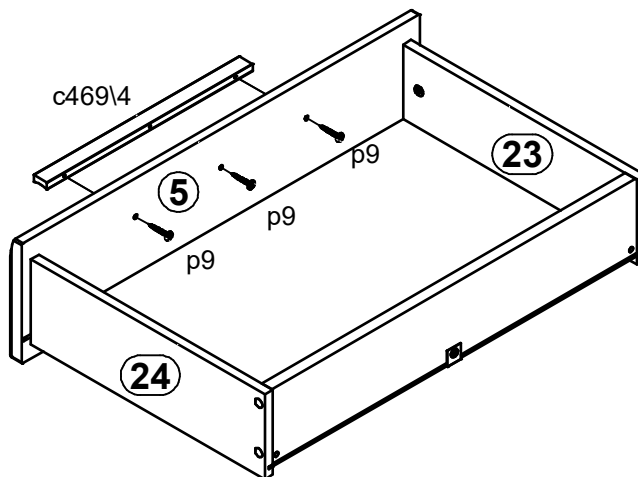
27 ▶

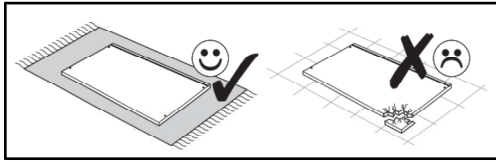


28 ▶



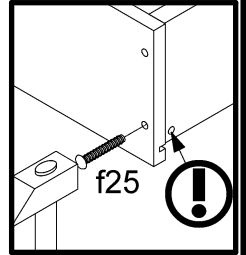
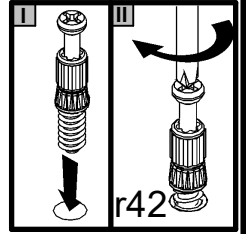
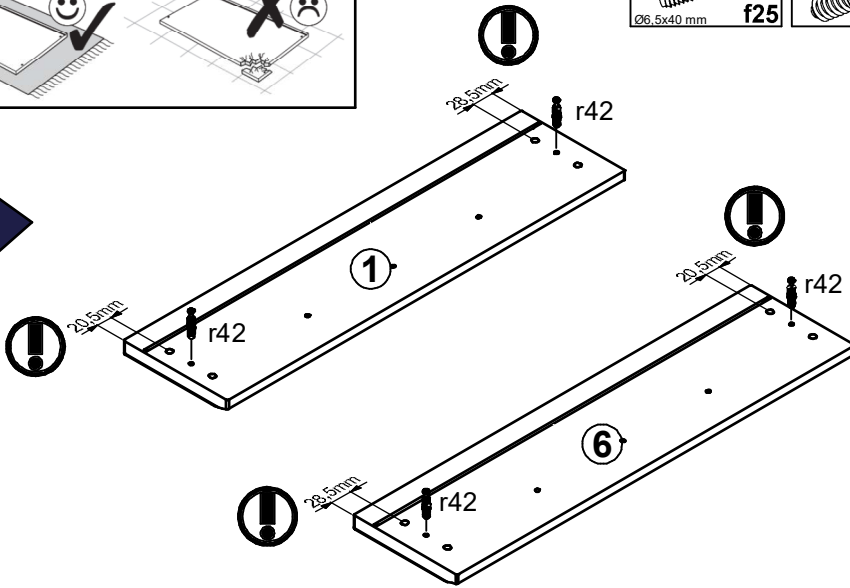
29 ▶



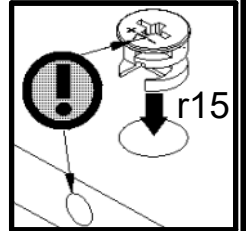
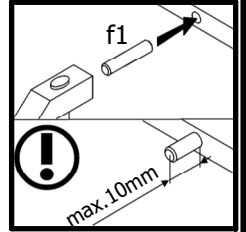
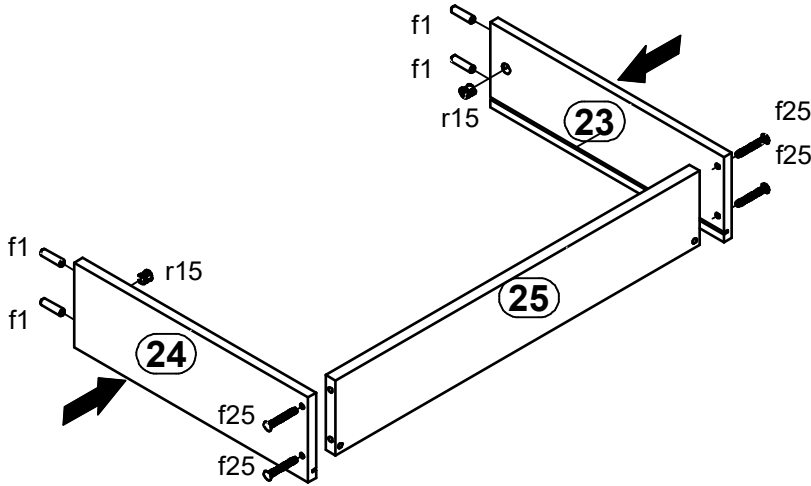


8x Ø6,5x40 mm f25	4x 20x11 r42	8x Ø8x30 mm f1	4x Ø12x10,5 mm #12 r15
-------------------------	--------------------	----------------------	------------------------------

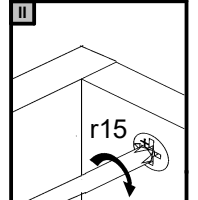
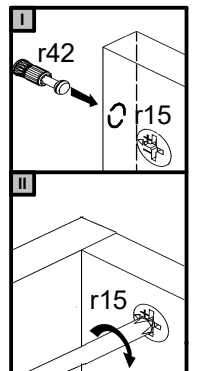
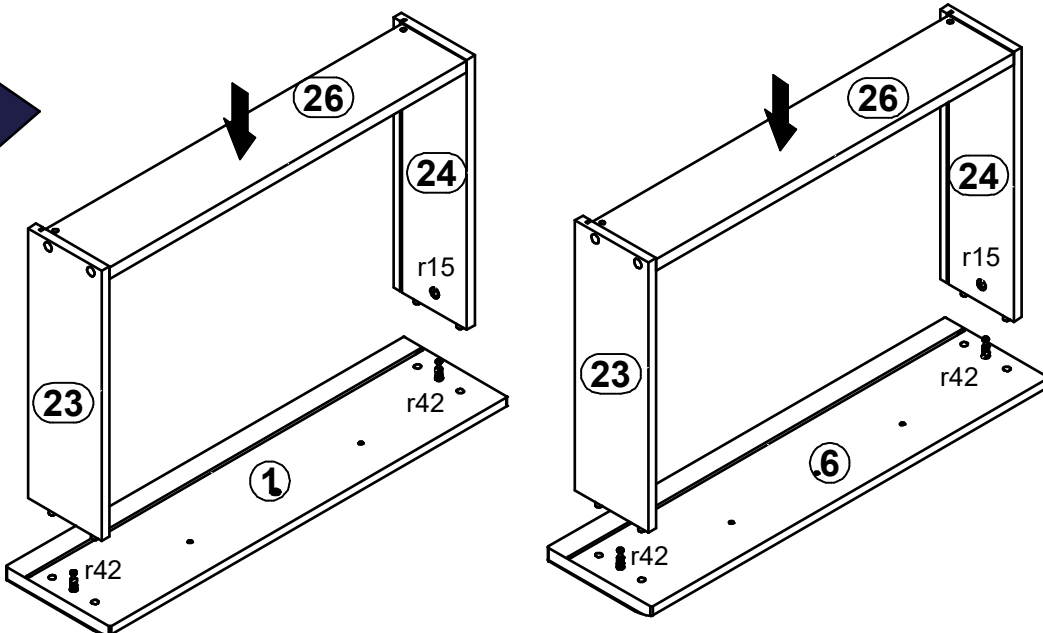
30 ▶

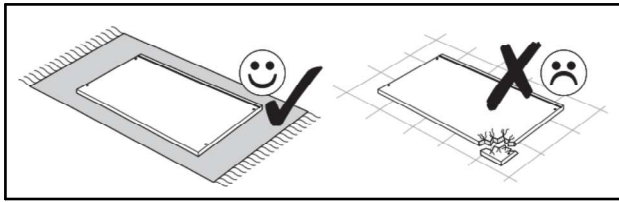


31 ▶  
2x



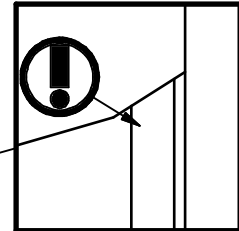
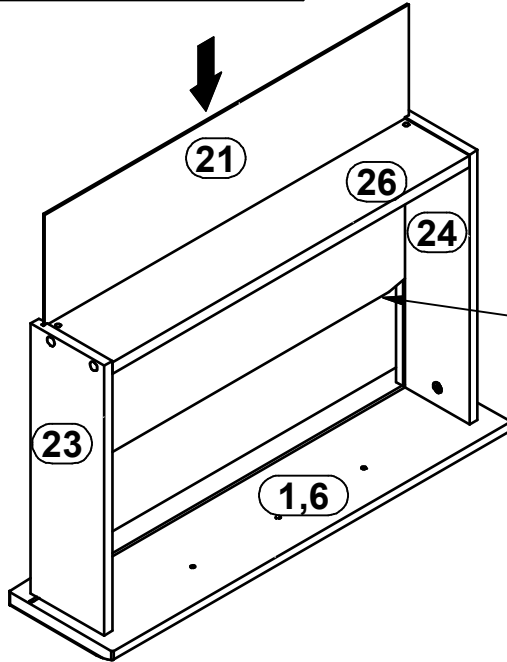
32 ▶



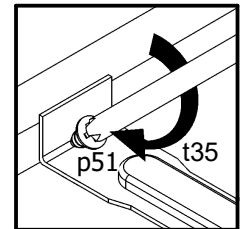
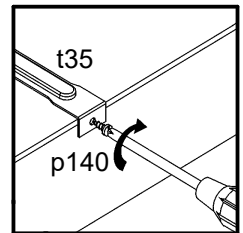
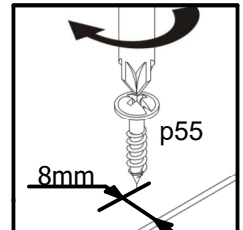
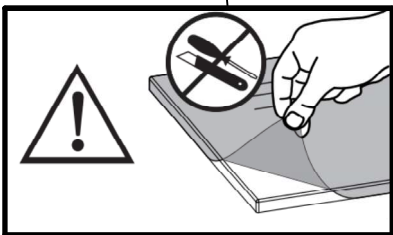
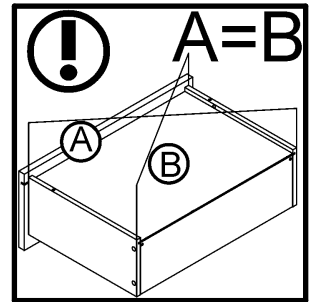
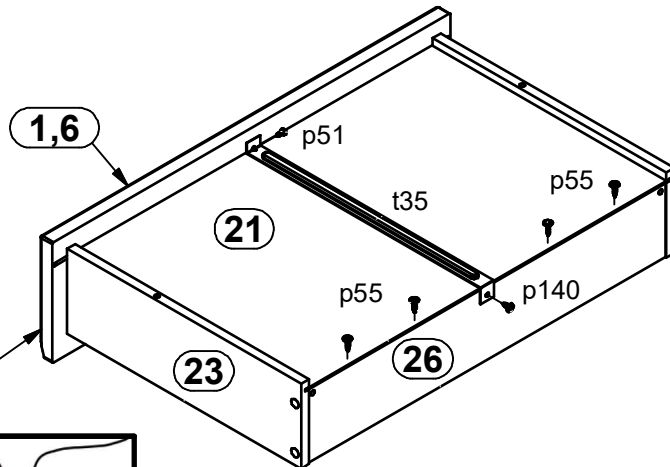


2x 350 mm t35	6x Ø4x30 mm p9	2x L=308mm c469\4
3x Ø3.5x12mm p140	3x Ø3.5x15 mm p51	12x Ø2.9x16 mm p55

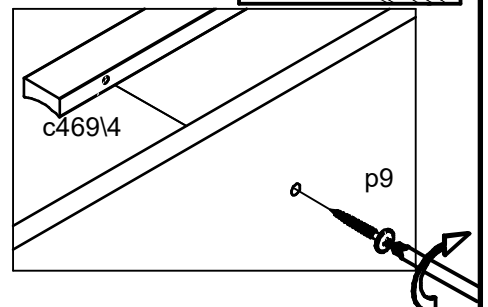
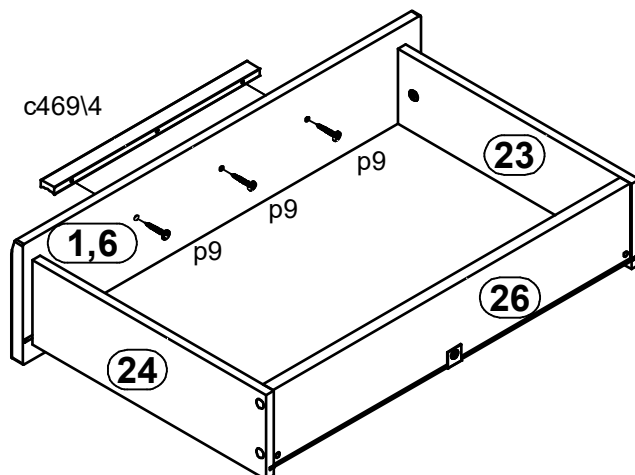
2x  
33 ▶

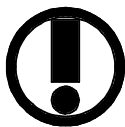
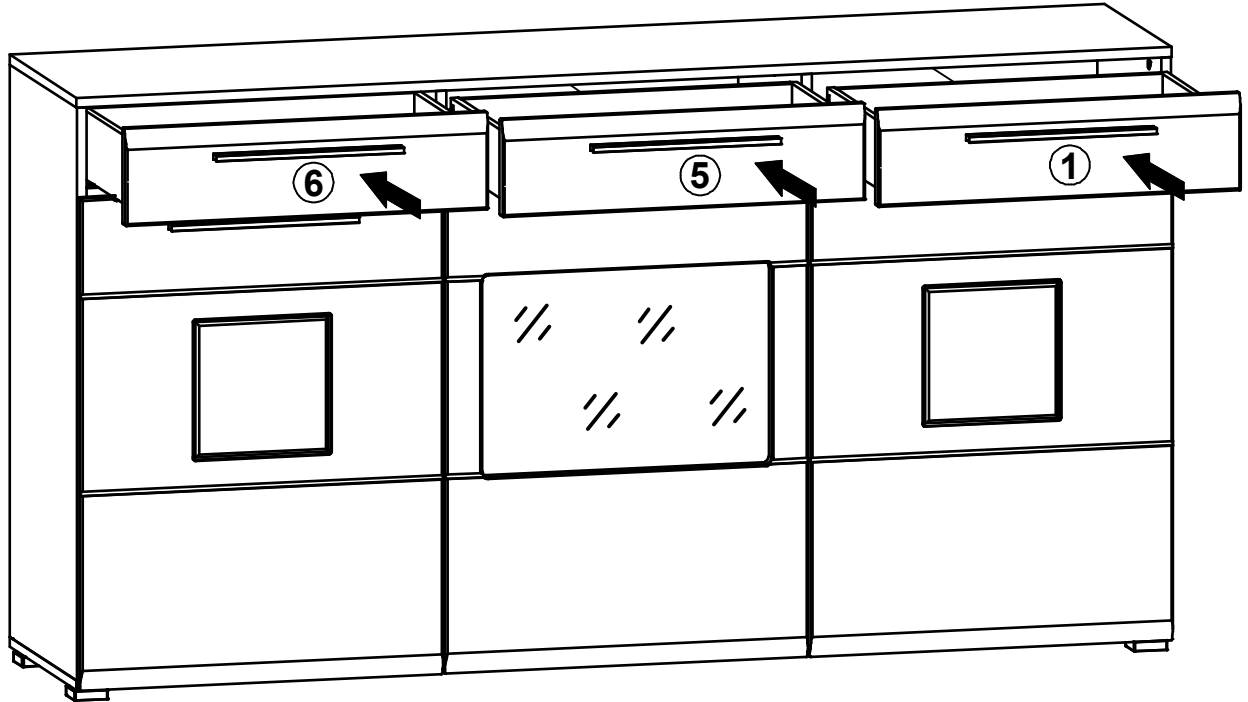
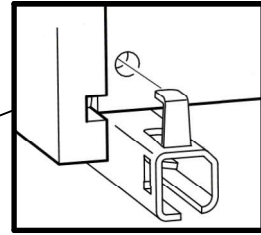
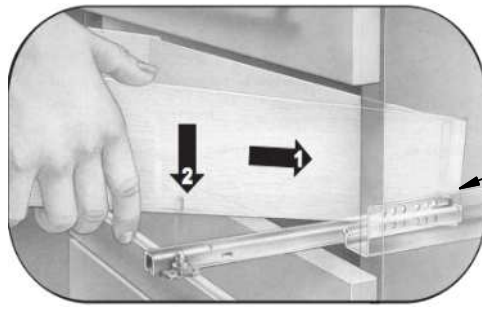


34 ▶



35 ▶





22,5mm

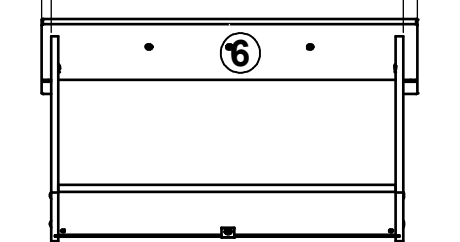
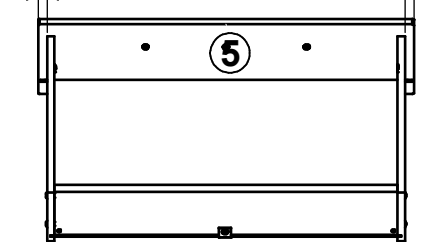
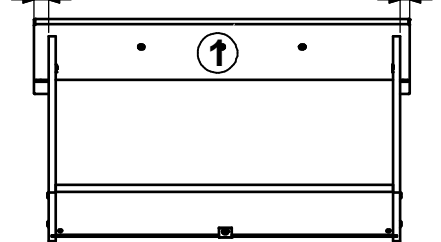
14,5mm

13,5mm

13,5mm


14,5mm

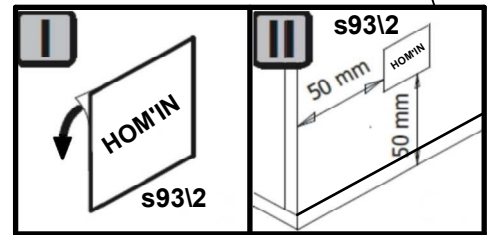
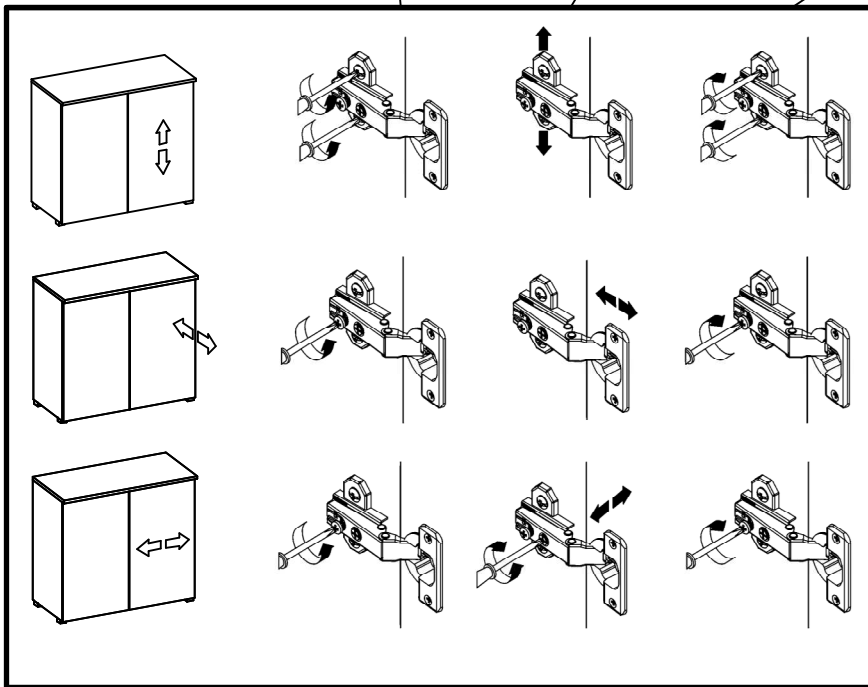
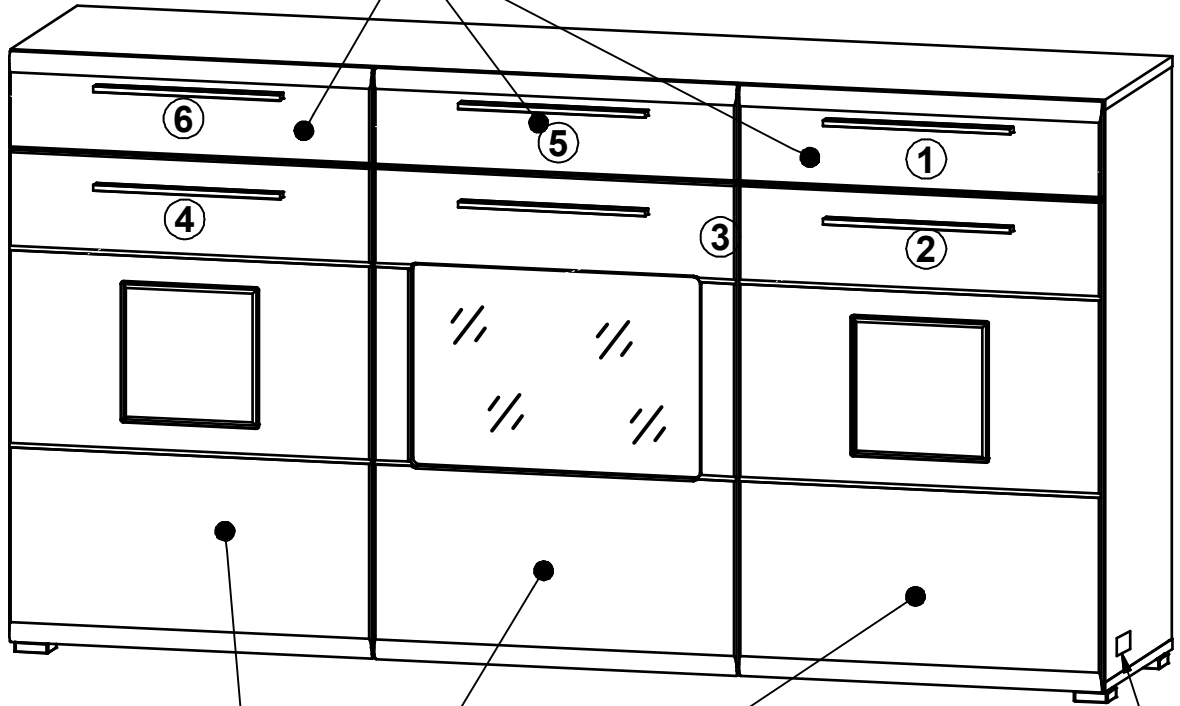
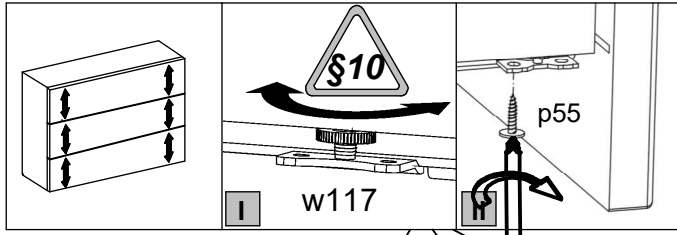
22,5mm

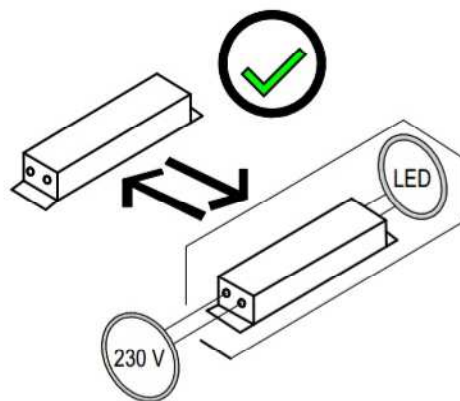
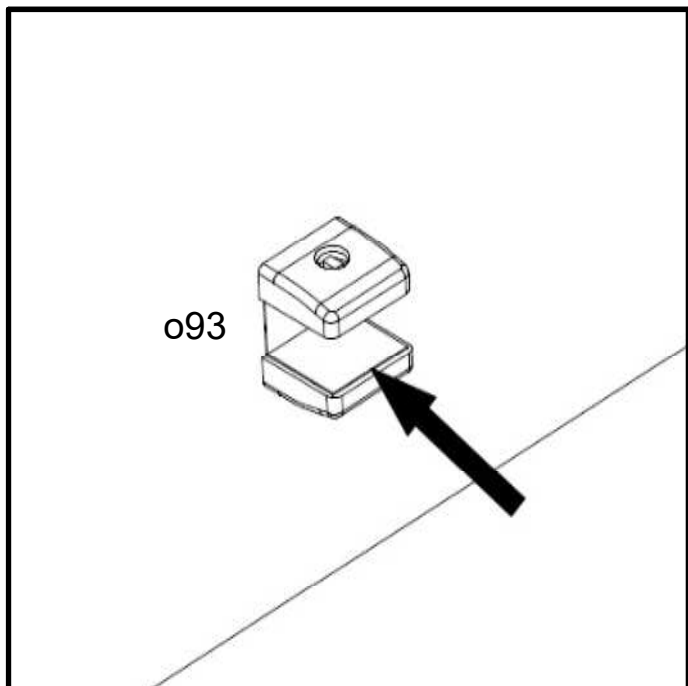
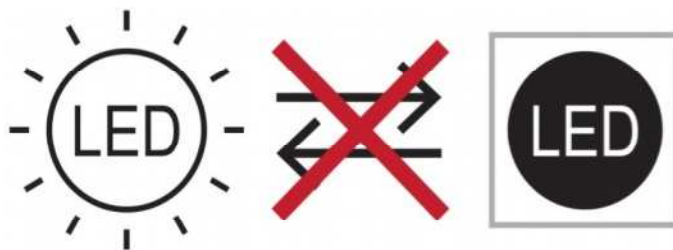


37

1x HOM'IN s9312

6x  p55  
Ø2,9x16 mm





LED ZETA S 3S