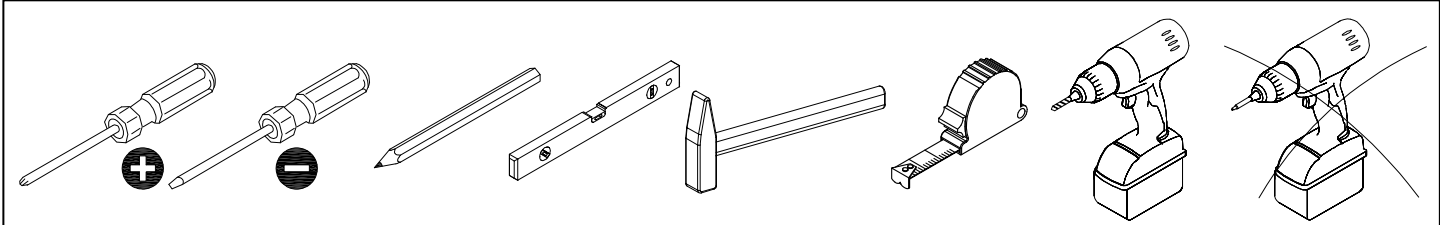
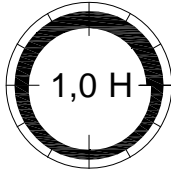
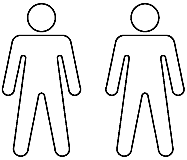
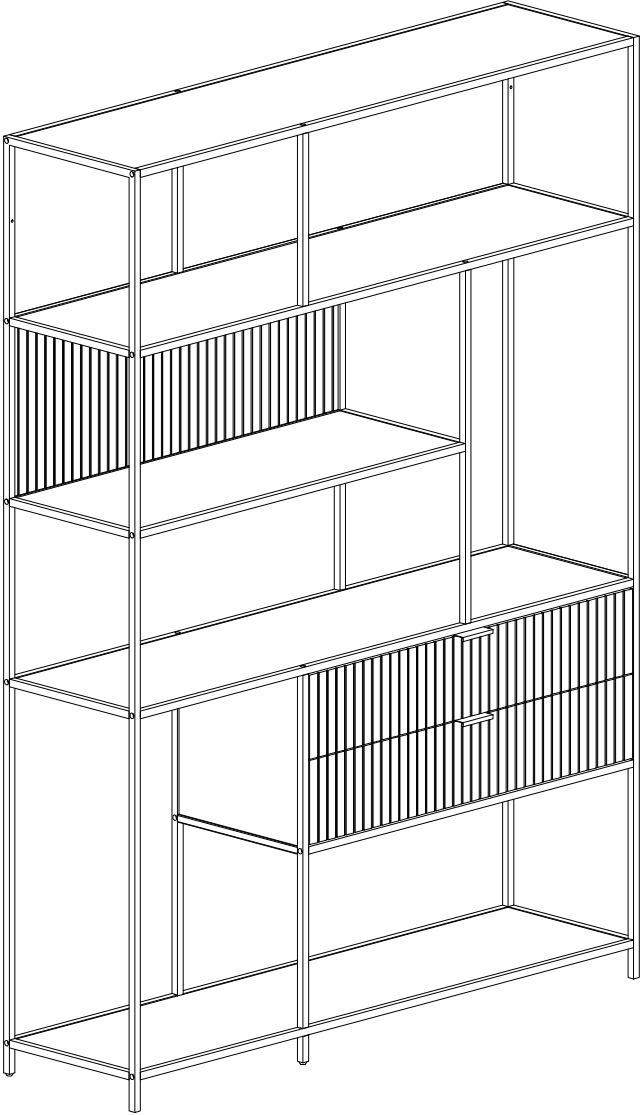
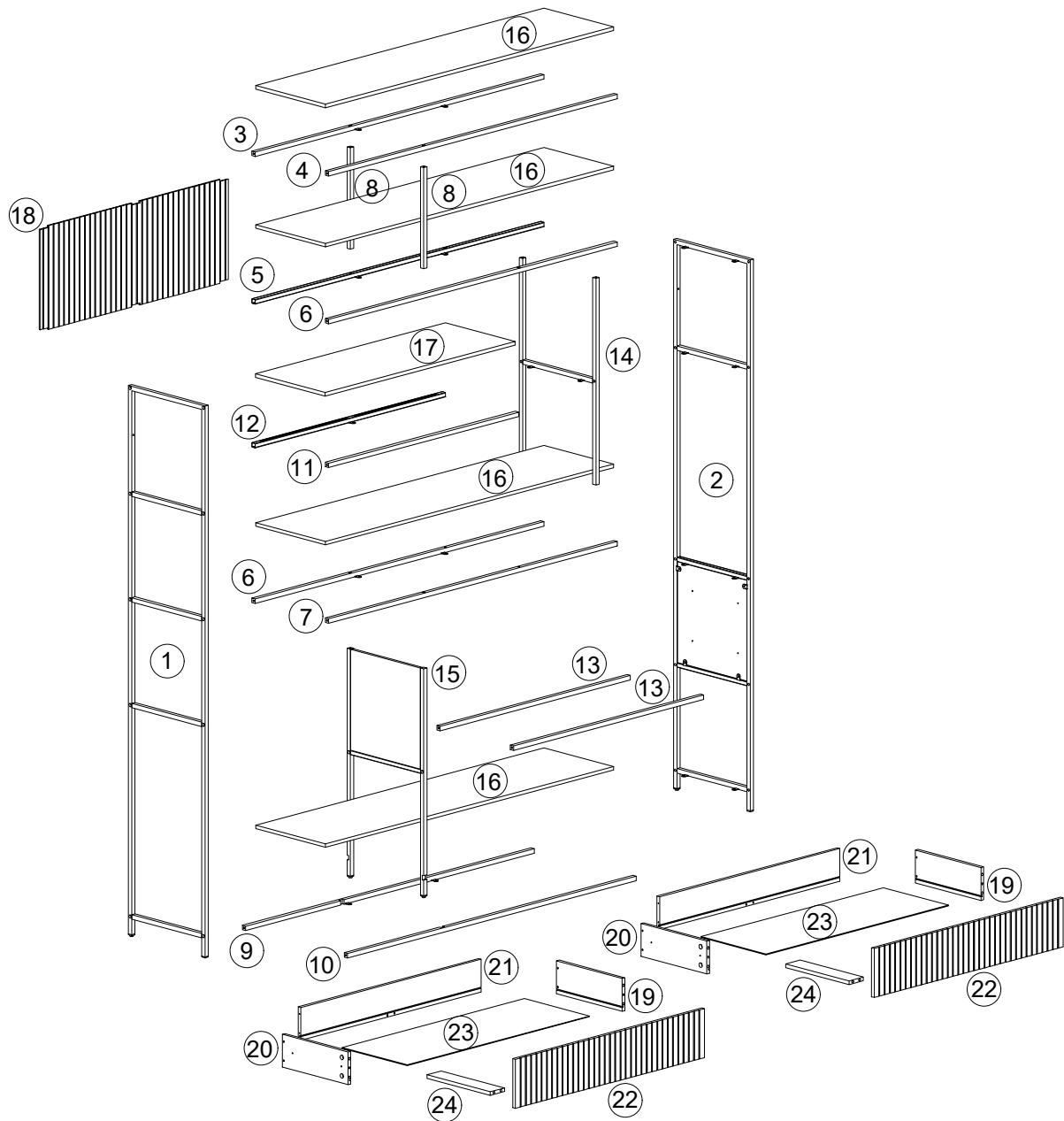


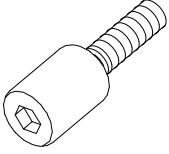
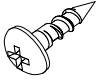
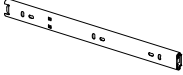
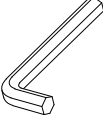
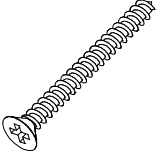
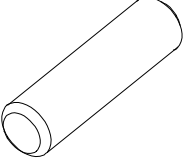
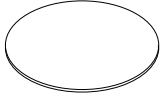

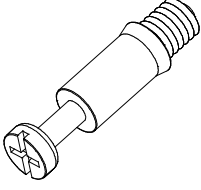
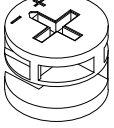
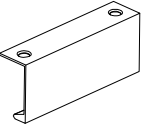
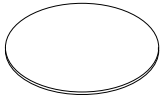
# SEAFORD



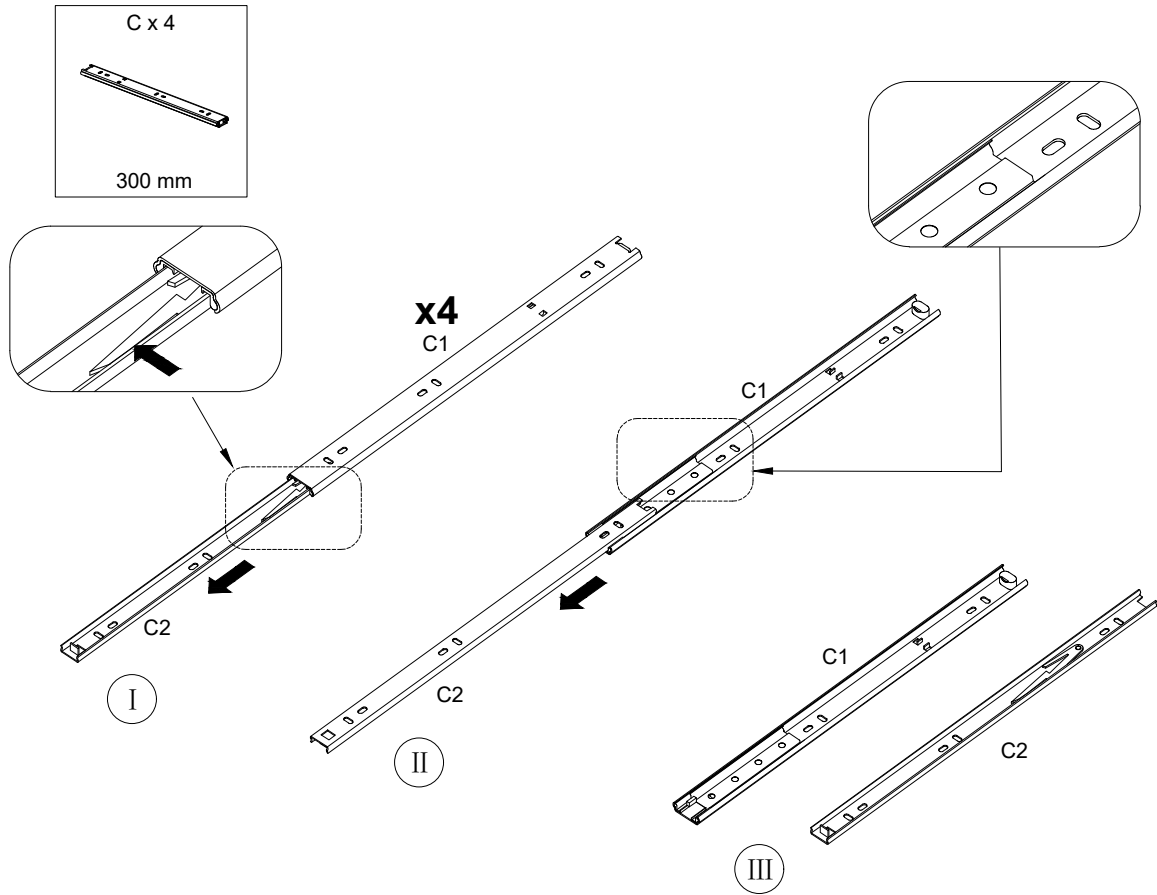
			✓
①	1	1850x350x35/15	
②	1	1850x350x35/15	
③	1	1318x35/15x15	
④	1	1318x35/15x15	
⑤	1	1318x35/15x15	
⑥	2	1318x35/15x15	
⑦	1	1318x35/15x15	
⑧	2	339x15x15	
⑨	1	1318x35/15x15	
⑩	1	1318x35/15x15	
⑪	1	868x35/15x15	
⑫	1	868x35/15x15	
⑬	2	868x15x15	

			✓
⑭	1	692x350x35/15	
⑮	1	770x350x35/15	
⑯	4	1316x318x12	
⑰	1	867x318x12	
⑱	1	868x351x4.75	
⑲	2	300x110x12	
⑳	2	300x110x12	
㉑	2	823x110x12	
㉒	2	863x164x12	
㉓	2	833x297x2.75	
㉔	2	289x65x12	

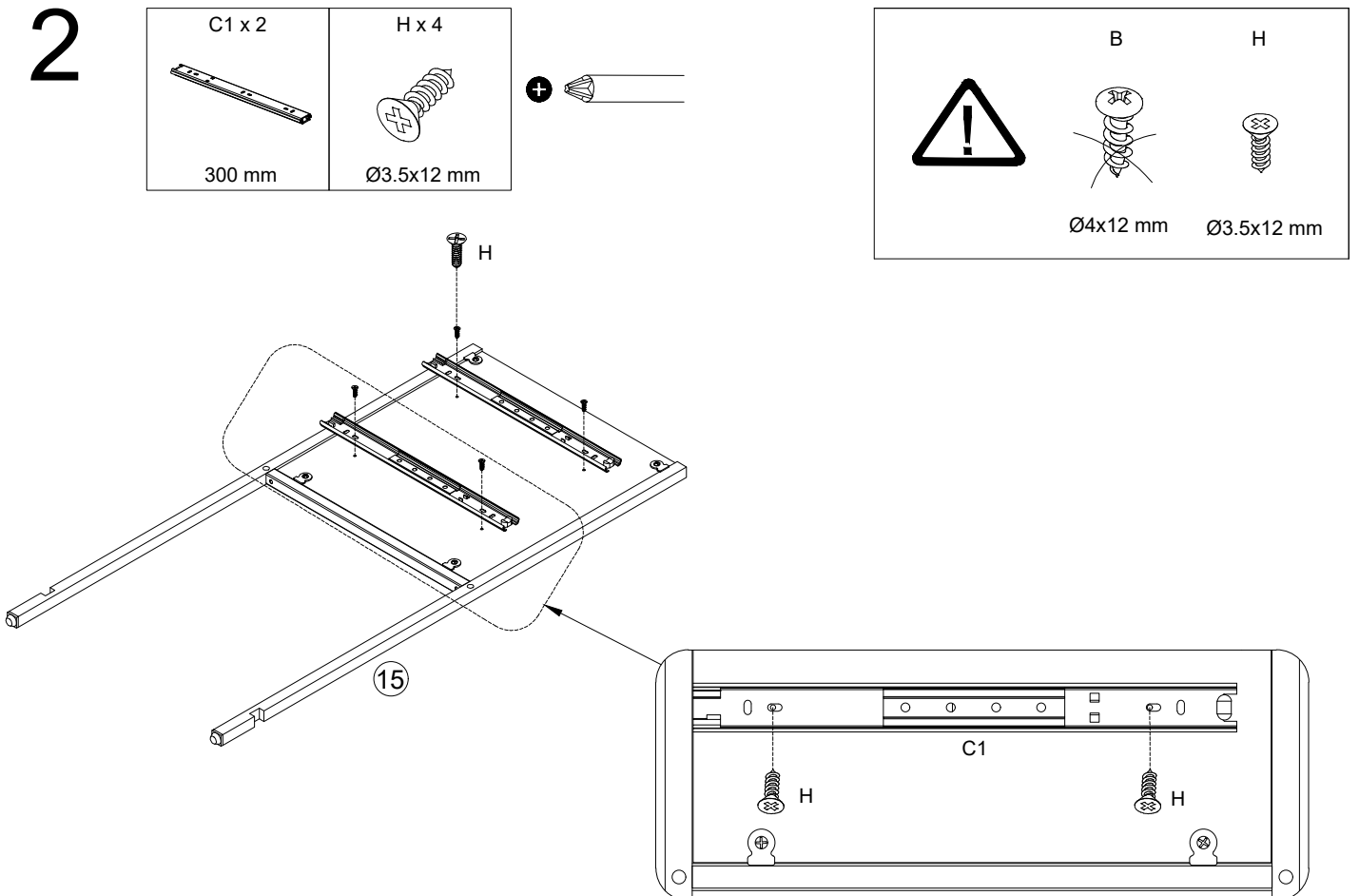


<p>A x 34</p>  <p>M6x15 mm</p>	<p>B x 38</p>  <p>Ø4x12 mm</p>	<p>C x 4</p>  <p>300 mm</p>	<p>D x 1</p>  <p>4 mm</p>	<p>E x 12</p>  <p>Ø4x35 mm</p>
<p>F x 4</p>  <p>Ø6x30 mm</p>	<p>G x 8</p>  <p>Ø20 mm</p>	<p>H x 20</p>  <p>Ø3.5x12 mm</p>	<p>J x 12</p>  <p>Ø6.3x35 mm</p>	<p>K x 12</p>  <p>Ø15x9 mm</p>
<p>L x 2</p>  <p>80x32x18 mm</p>	<p>M x 31</p>  <p>Ø15 mm</p>			

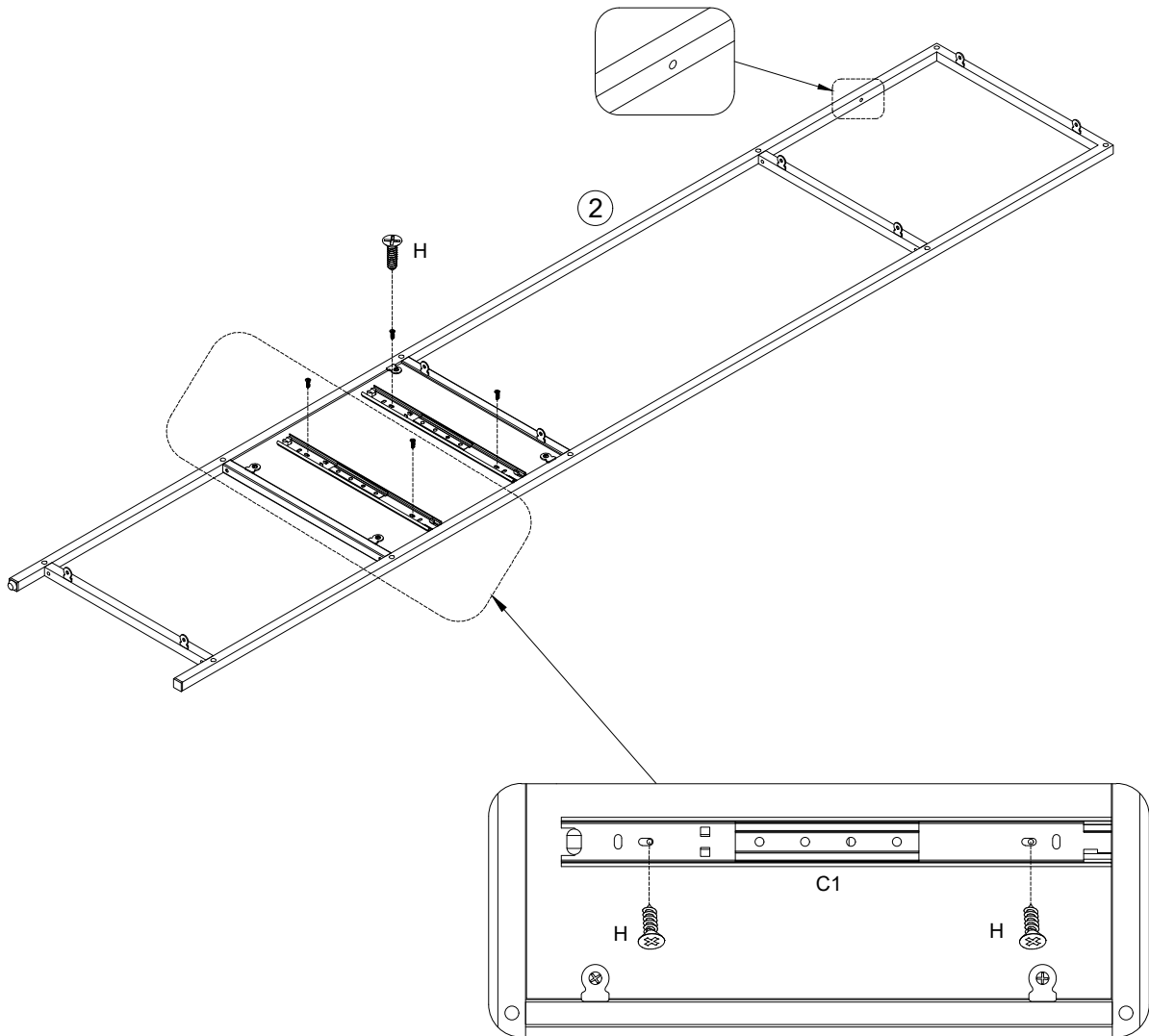
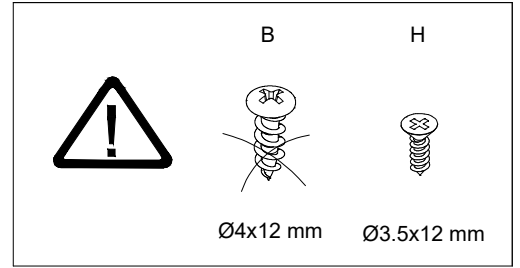
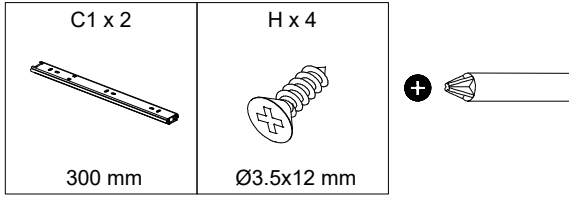
# 1



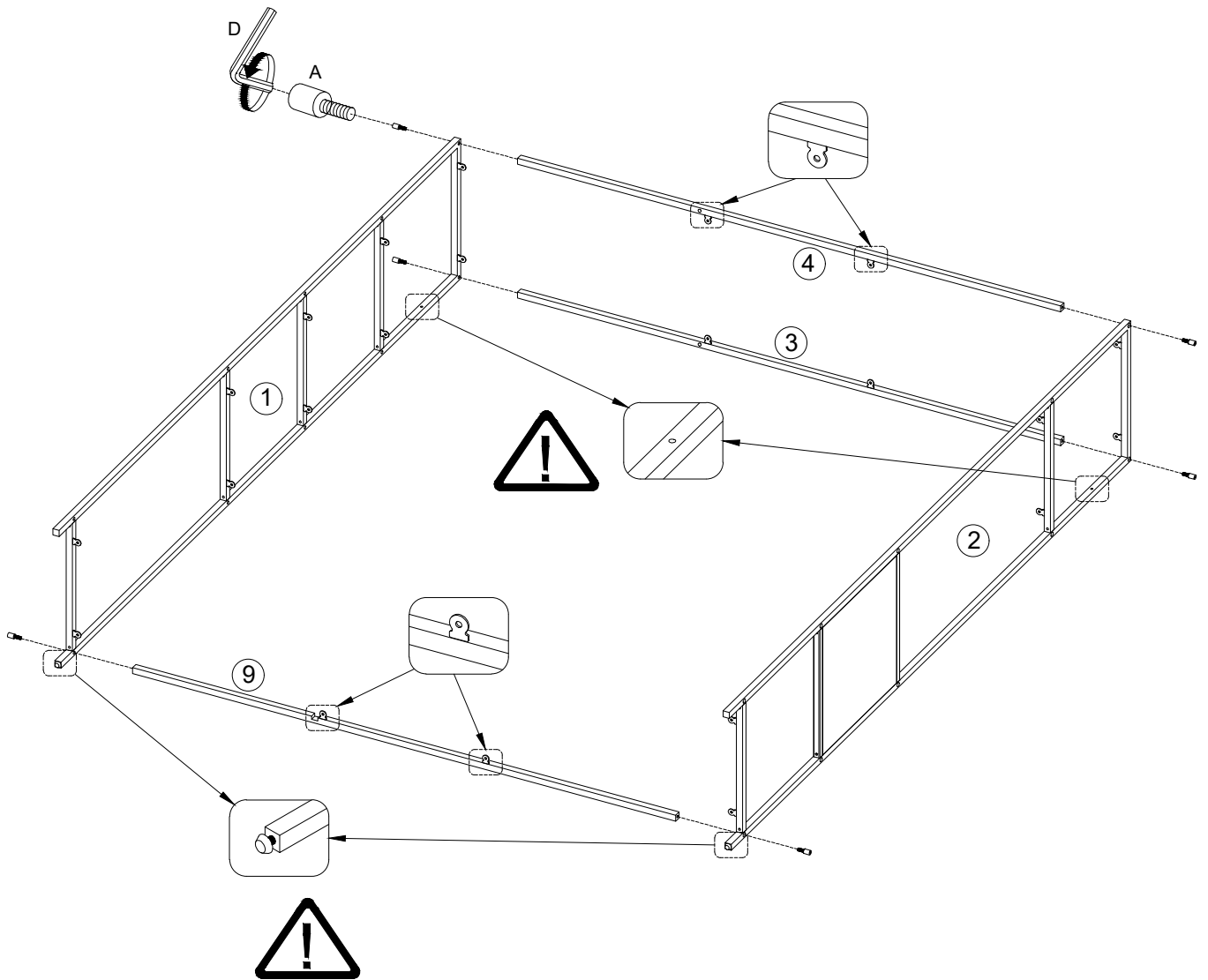
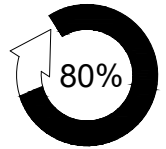
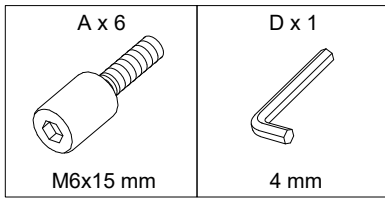
# 2



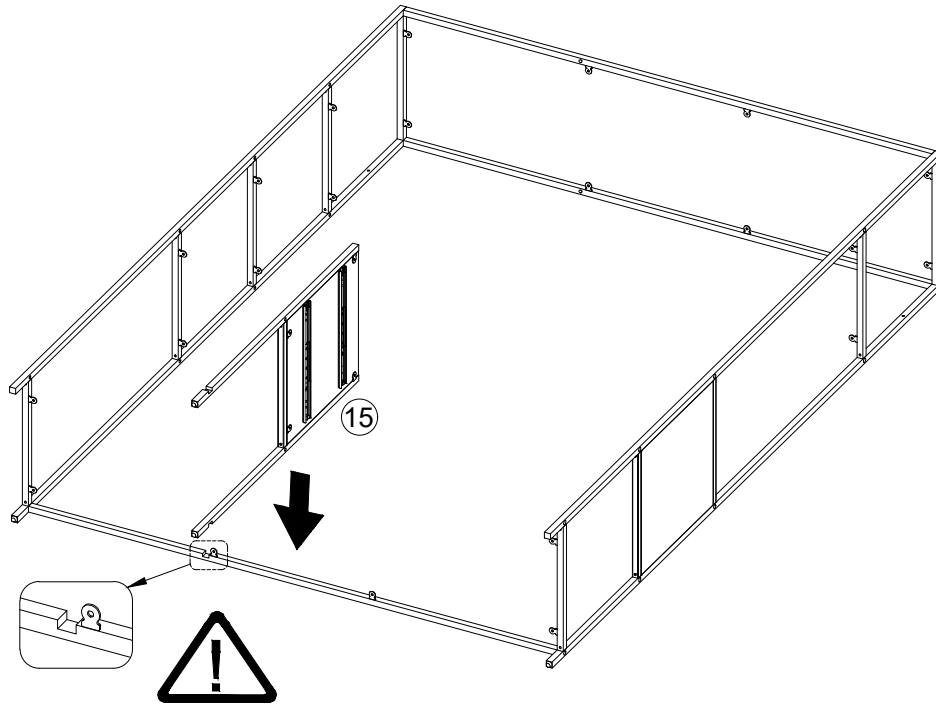
# 3



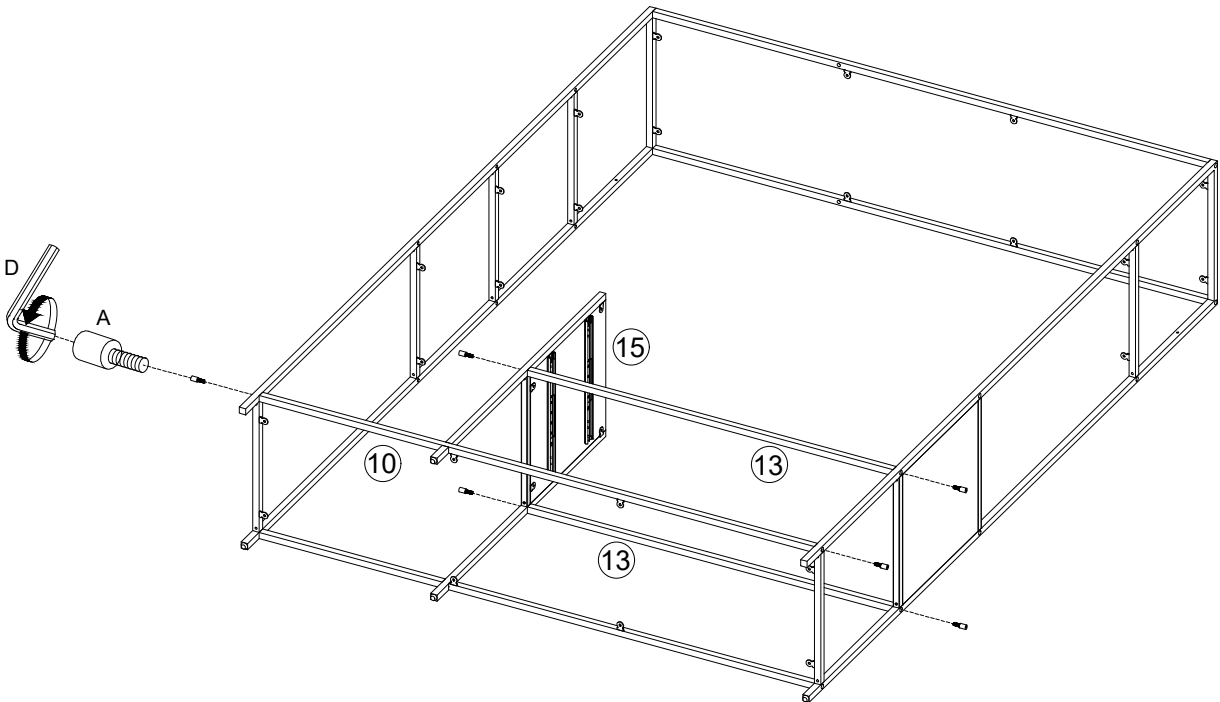
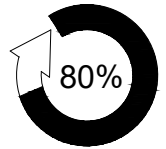
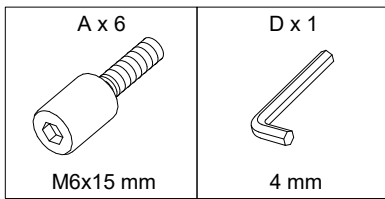
# 4



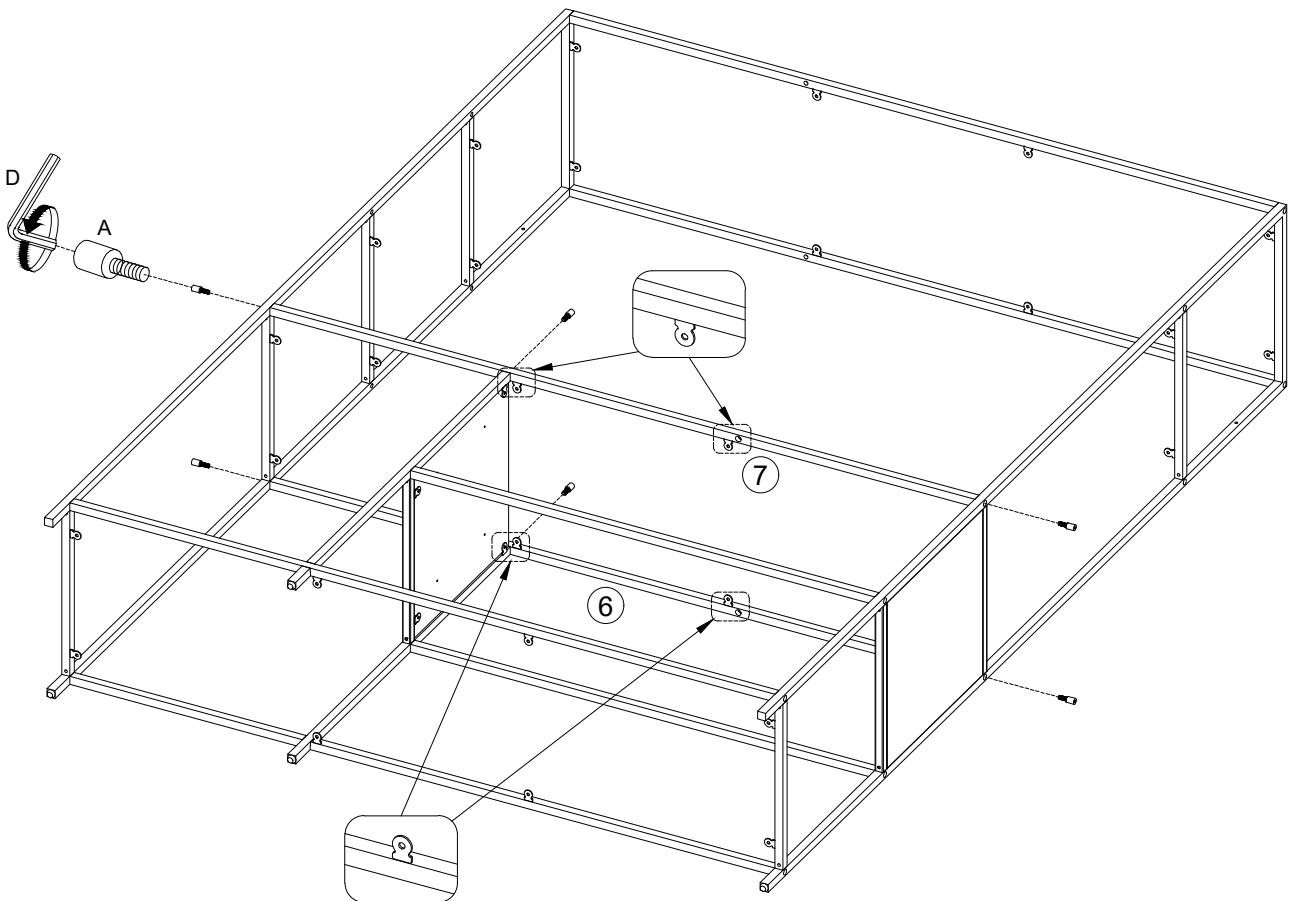
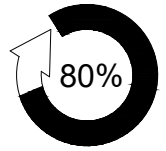
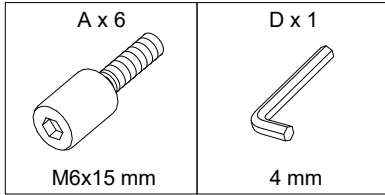
# 5



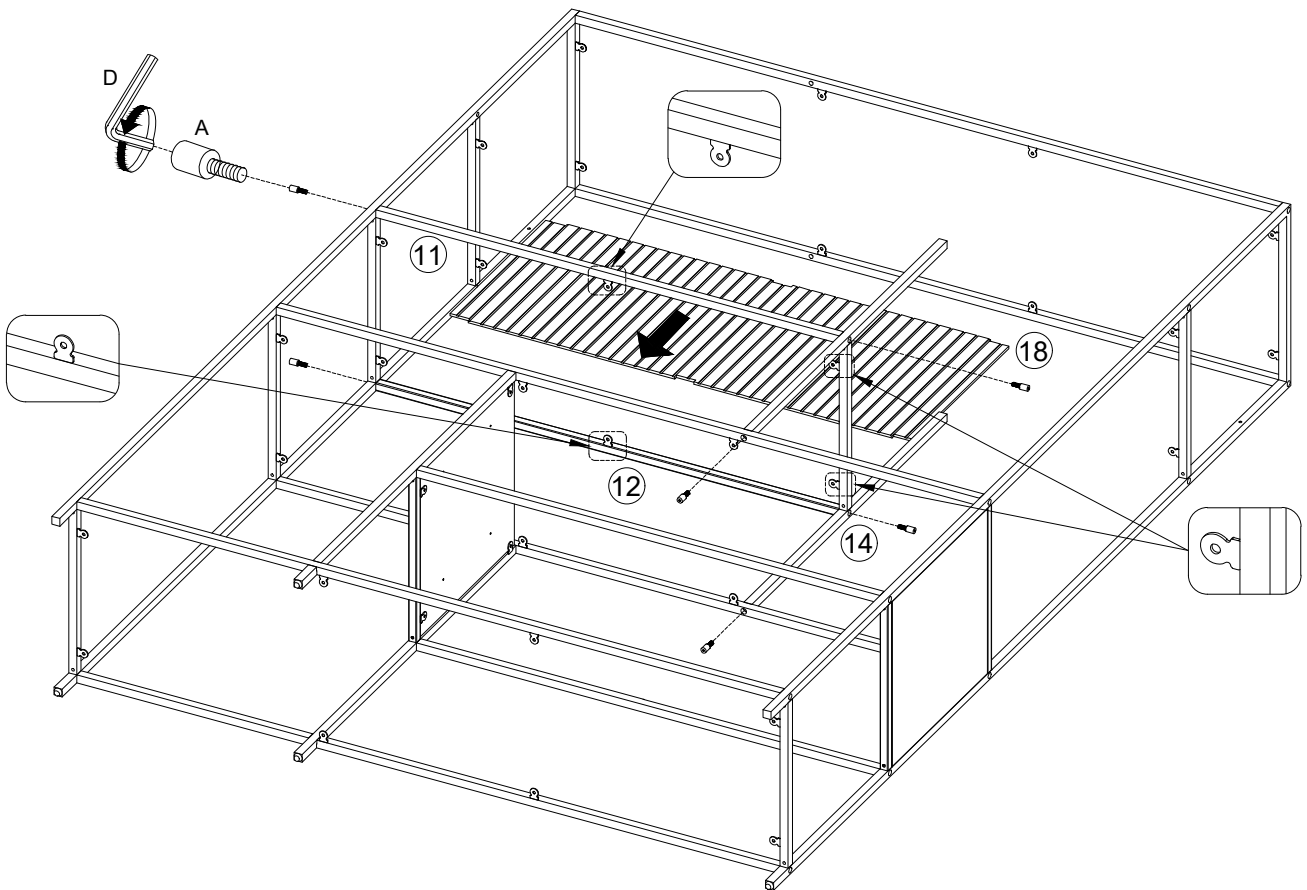
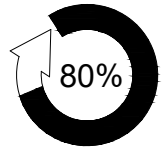
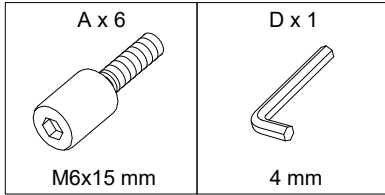
# 6



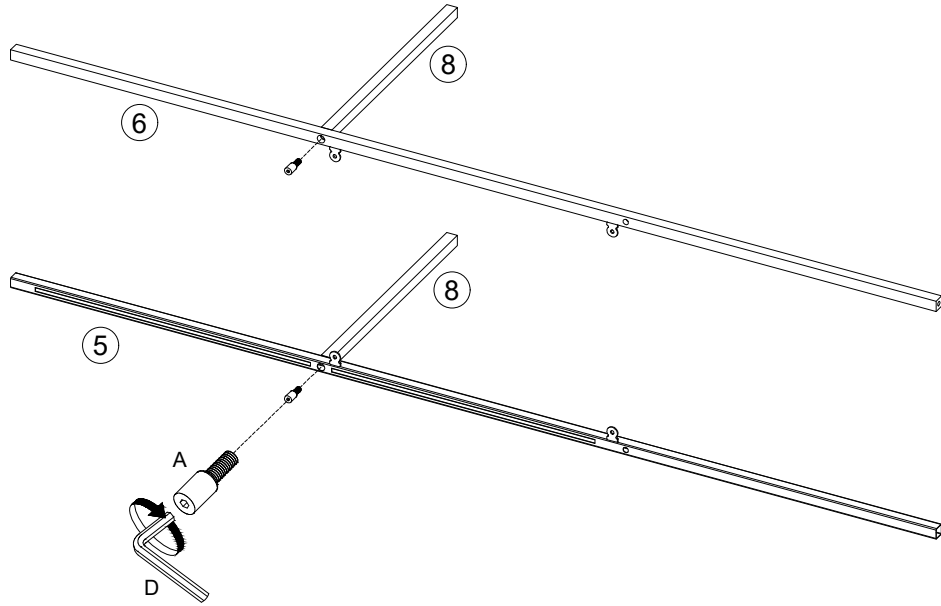
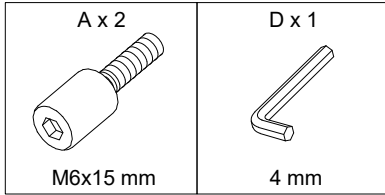
# 7



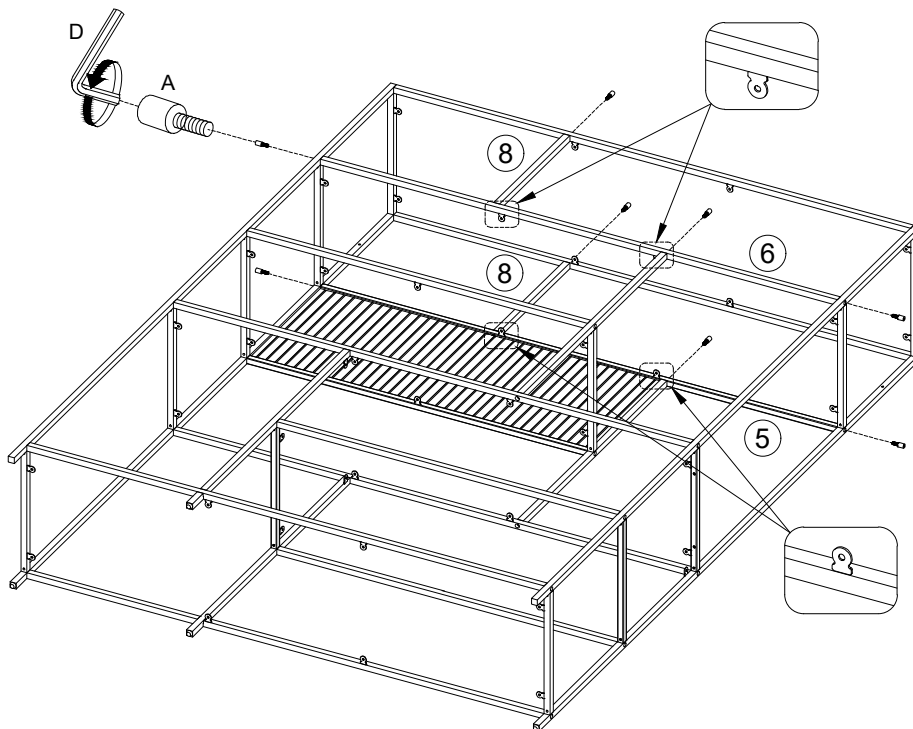
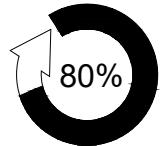
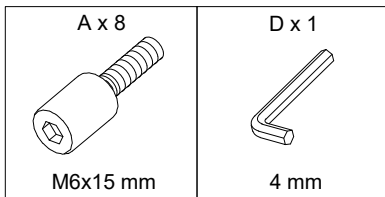
8

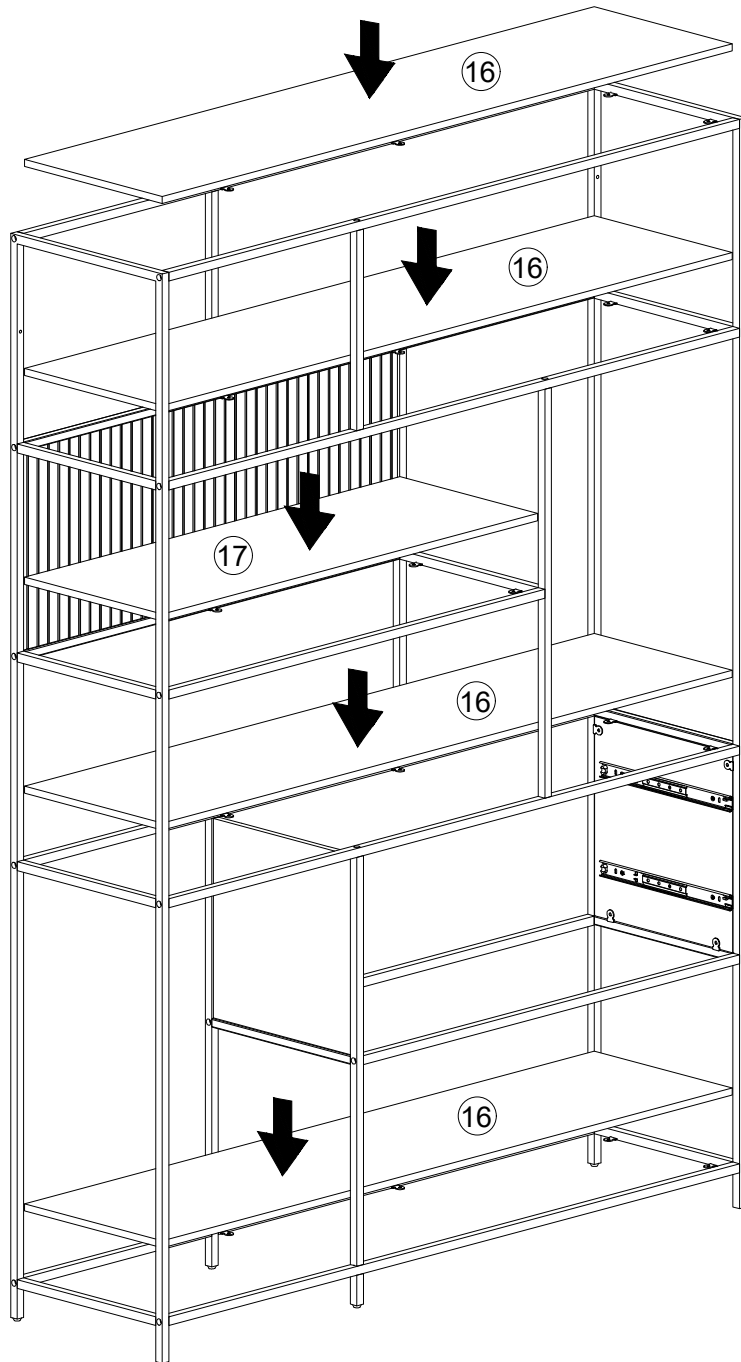


# 9

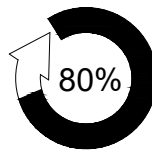
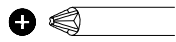
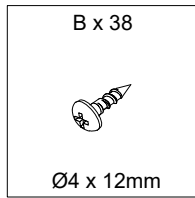


# 10

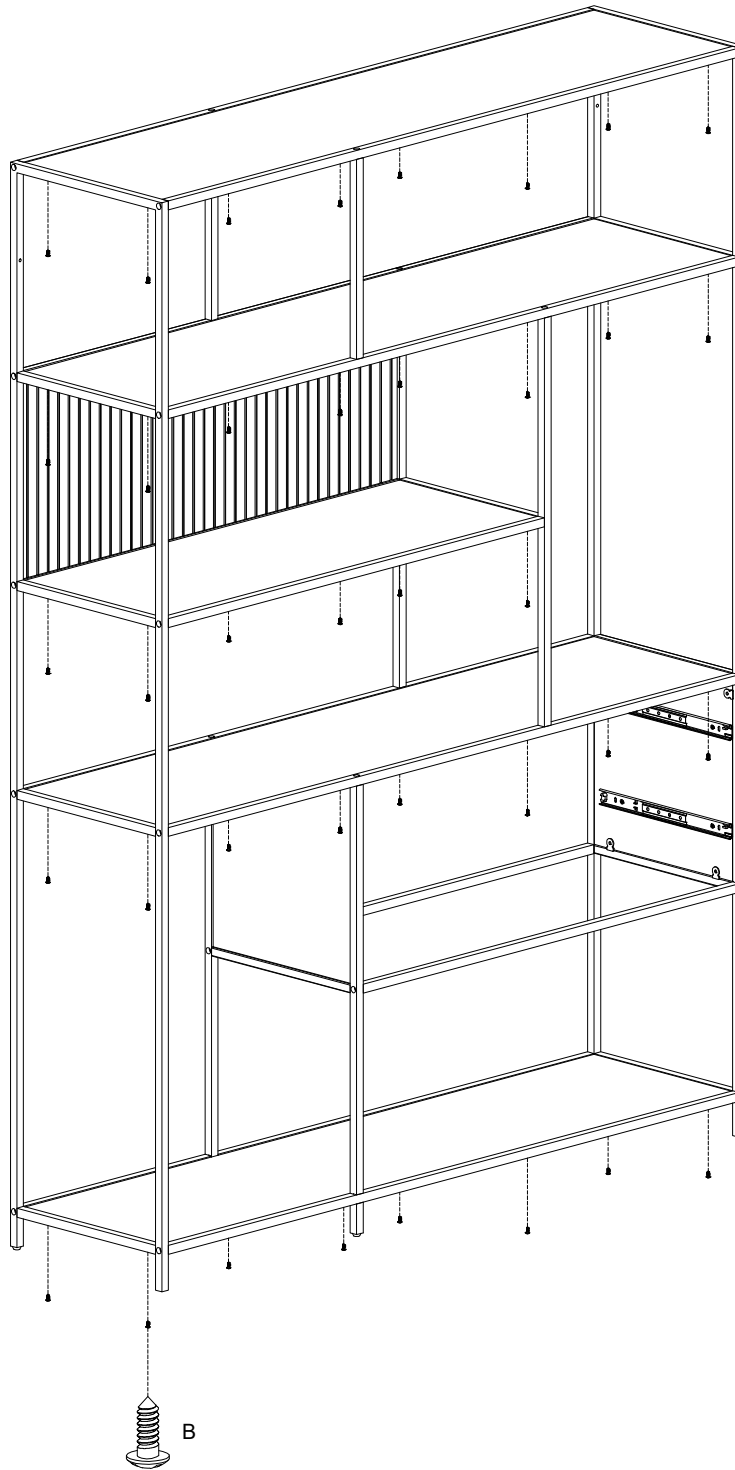
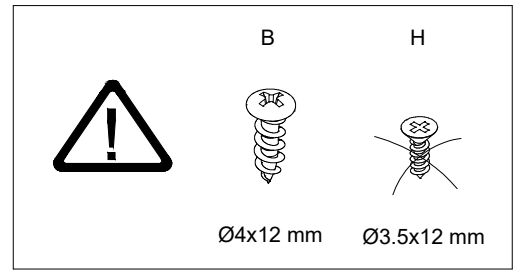




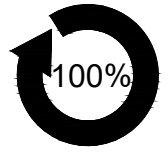
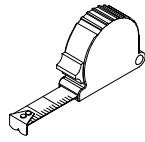
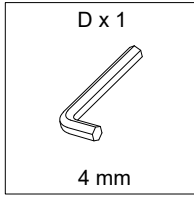
# 12



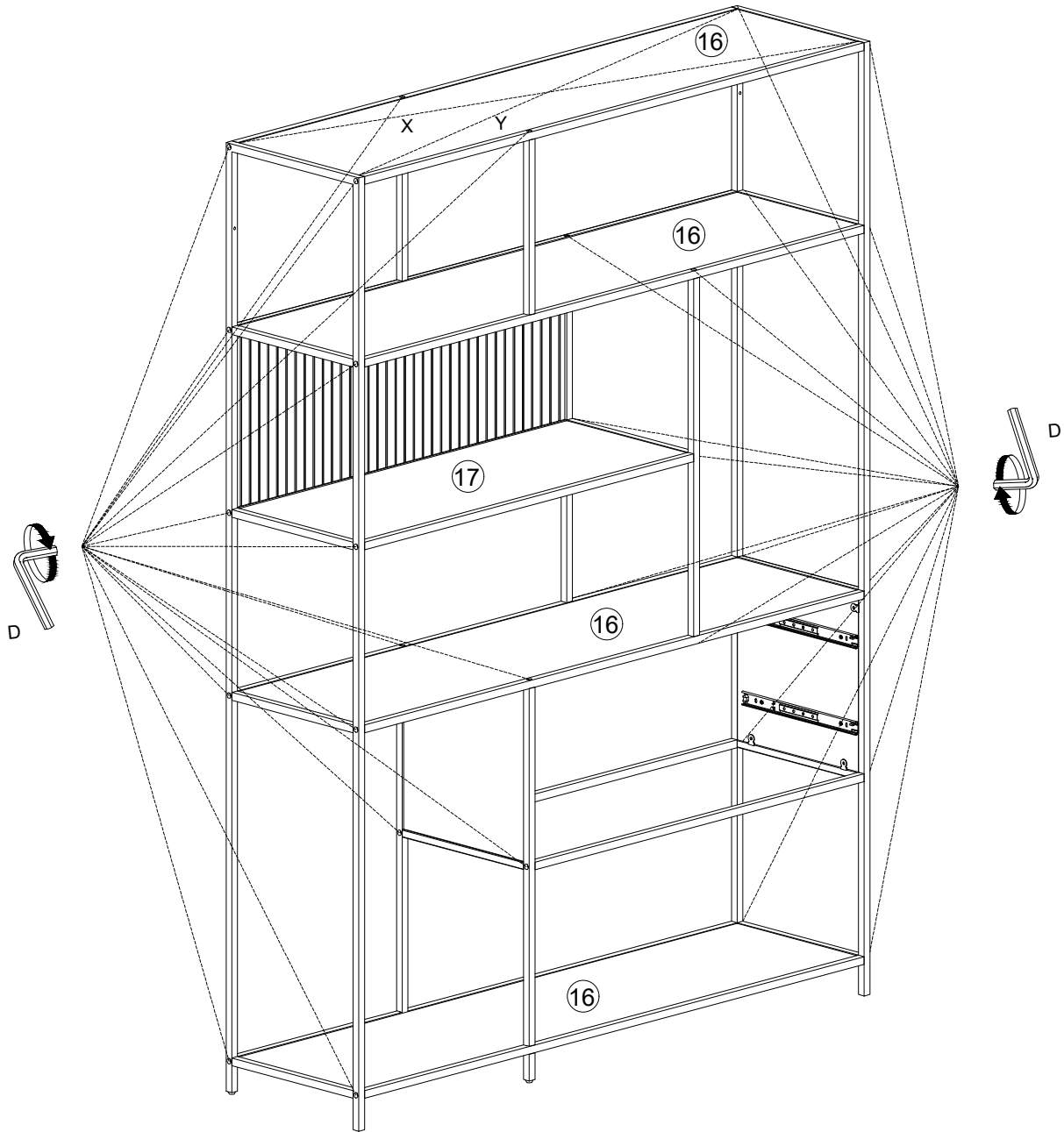
**B x 38**



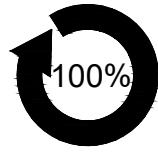
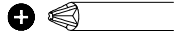
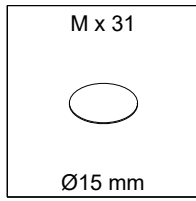
# 13



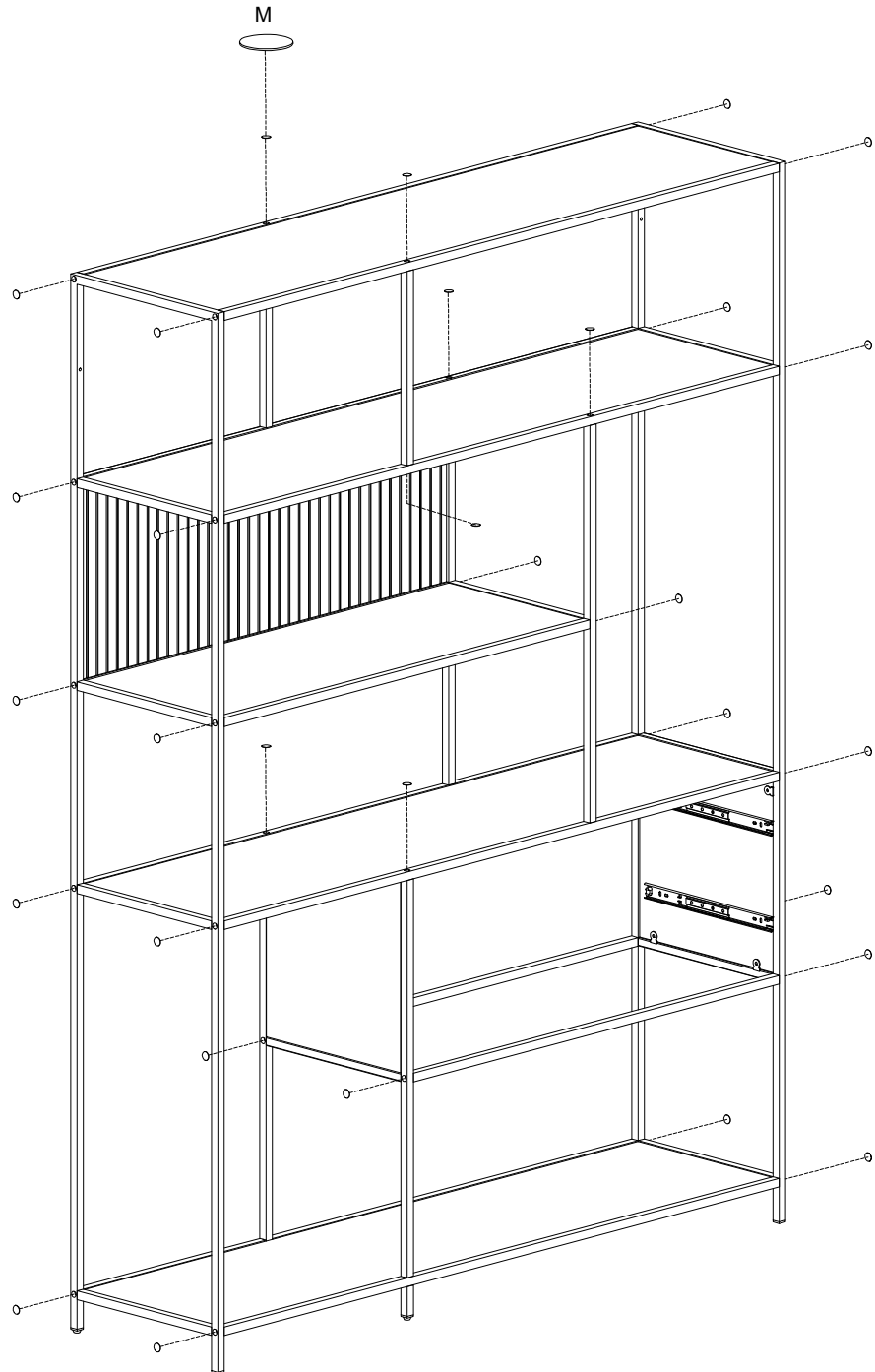
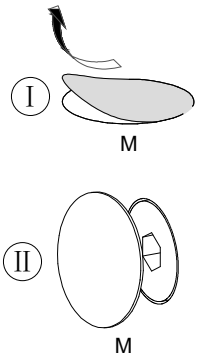
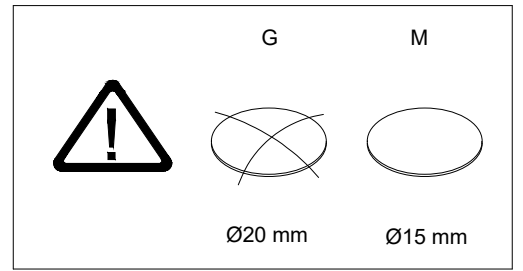
Ax32



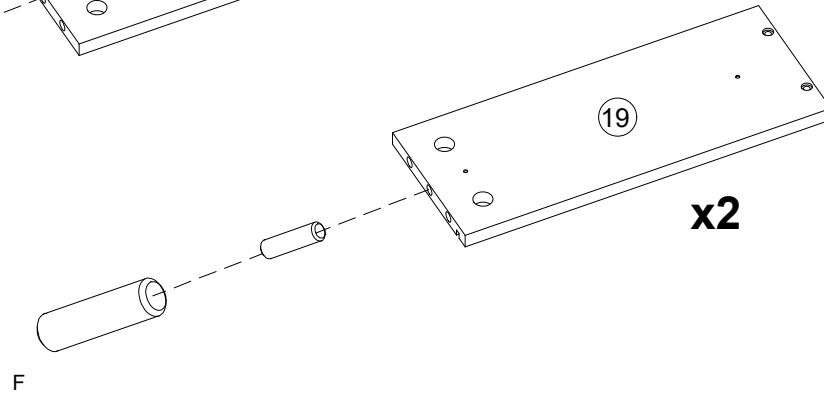
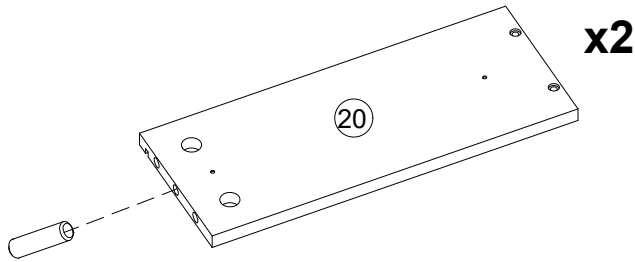
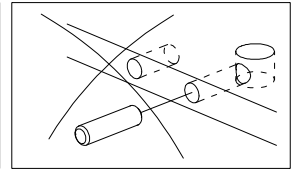
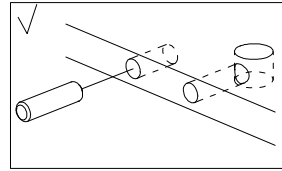
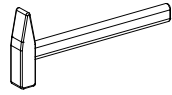
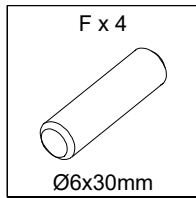
# 14



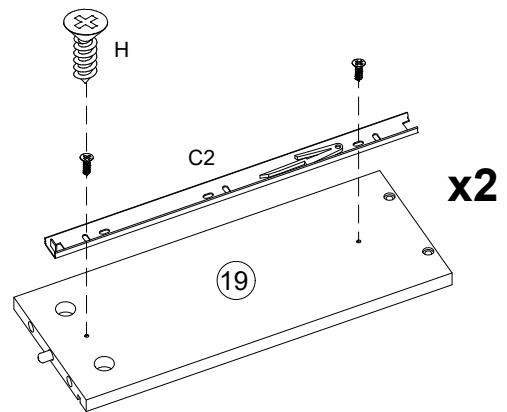
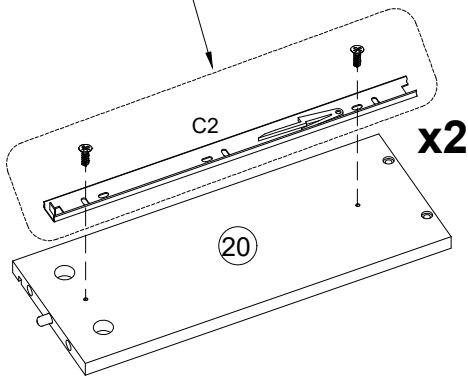
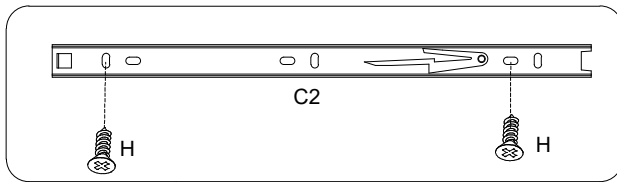
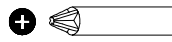
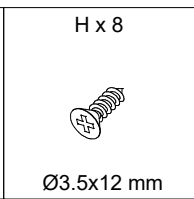
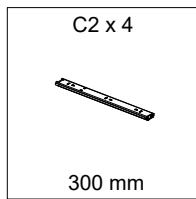
**B×38**



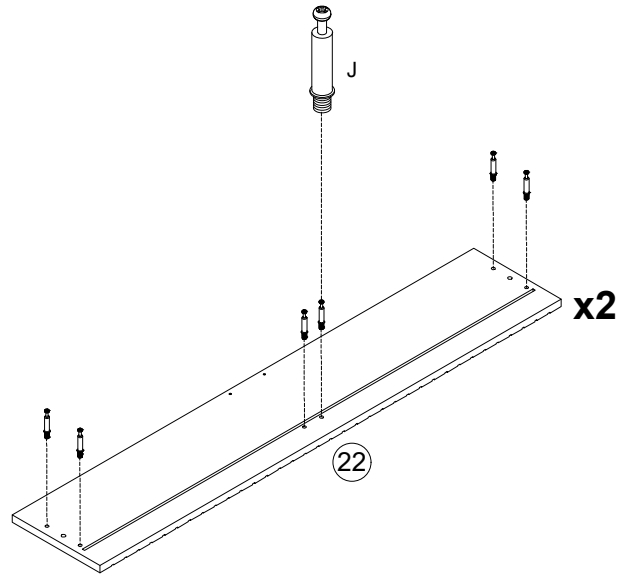
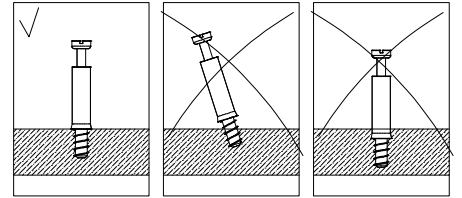
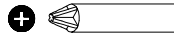
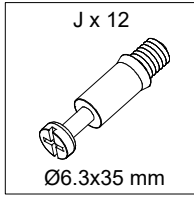
# 15



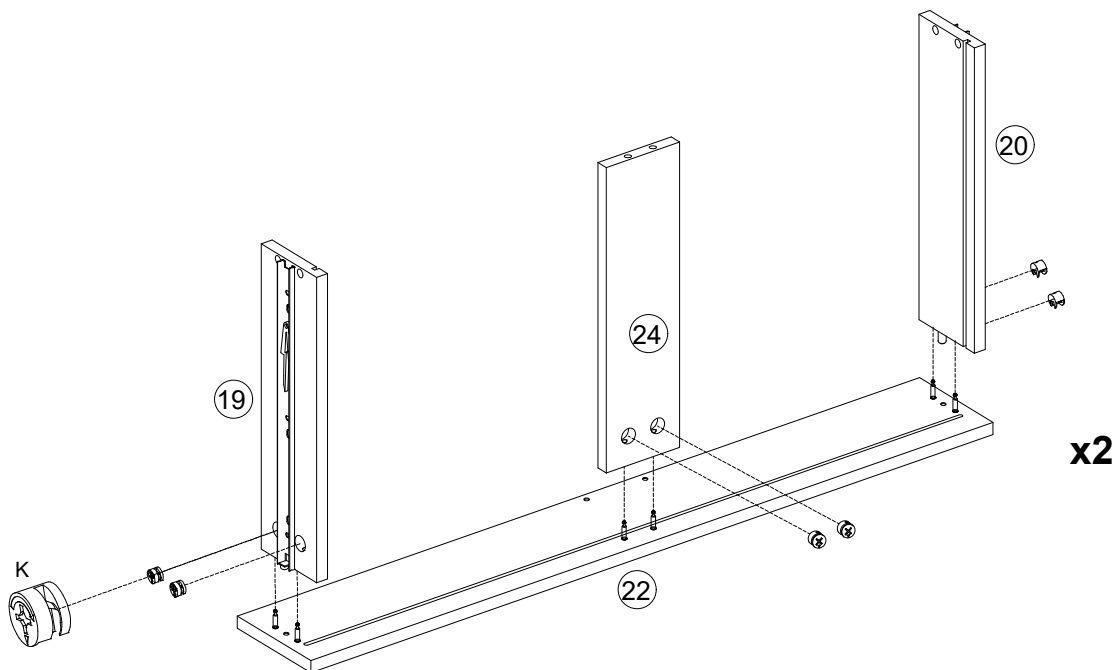
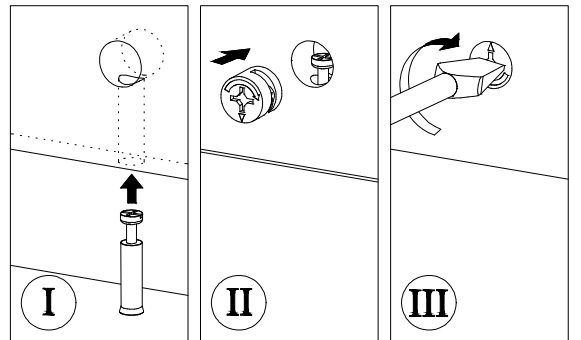
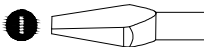
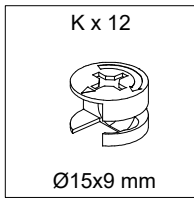
# 16



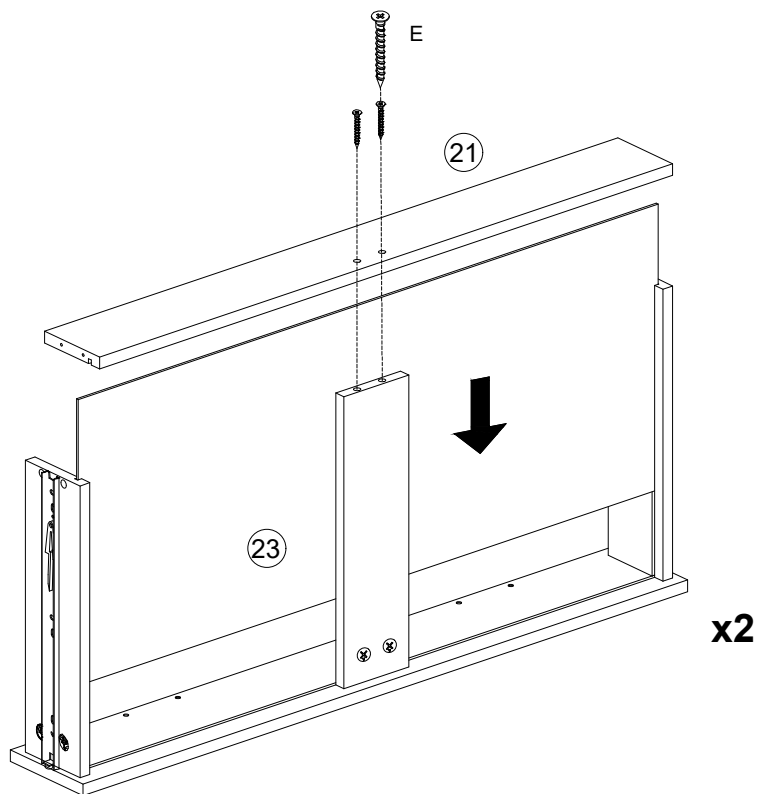
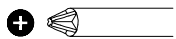
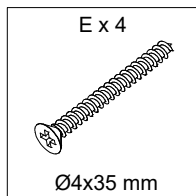
# 17



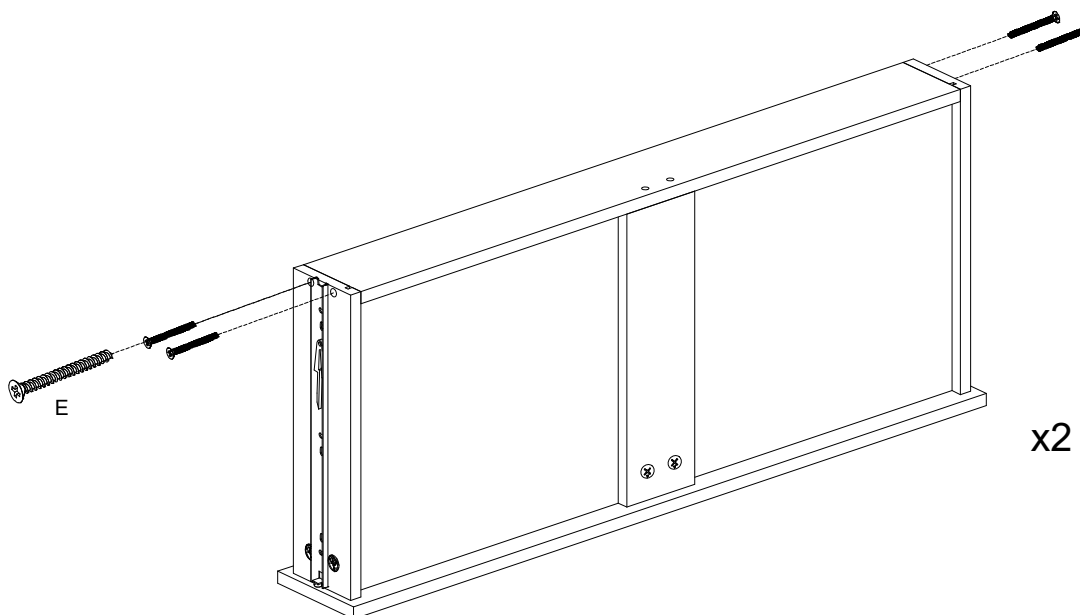
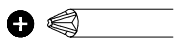
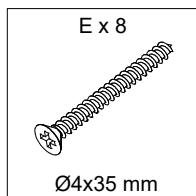
# 18





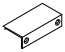
# 19

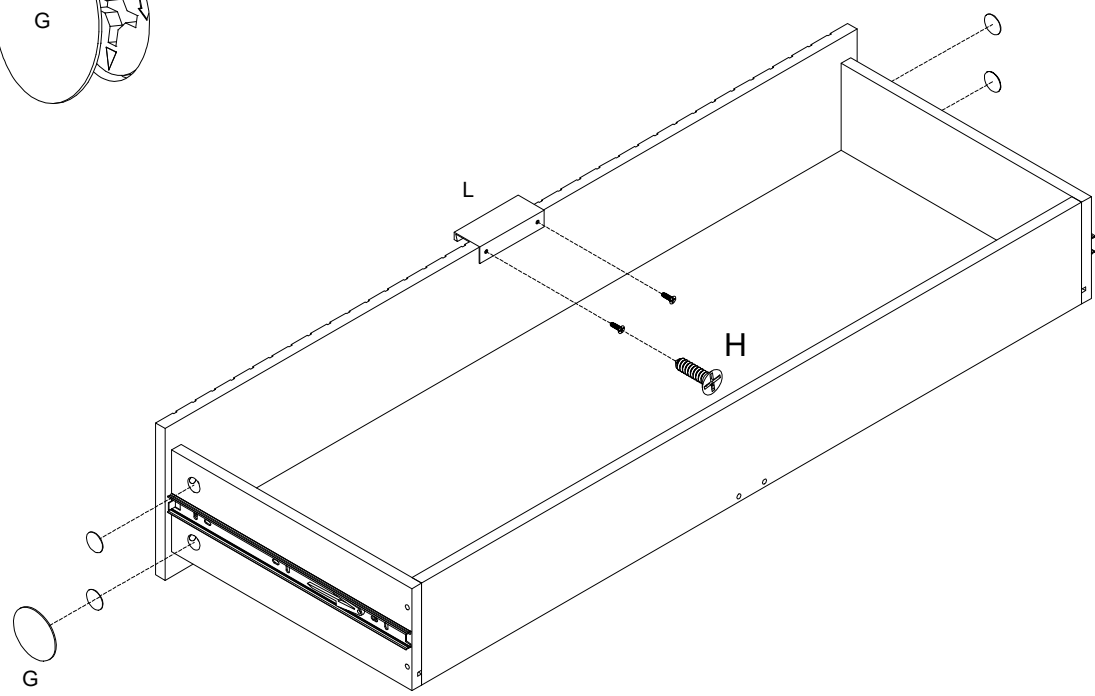
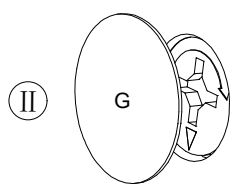
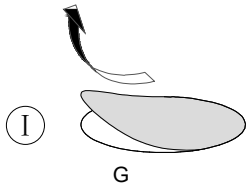
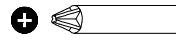


# 20

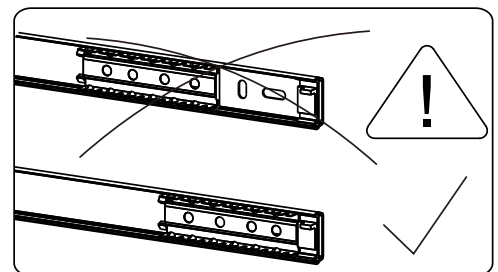
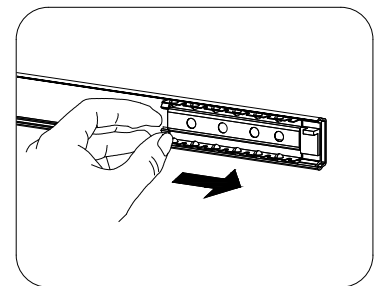
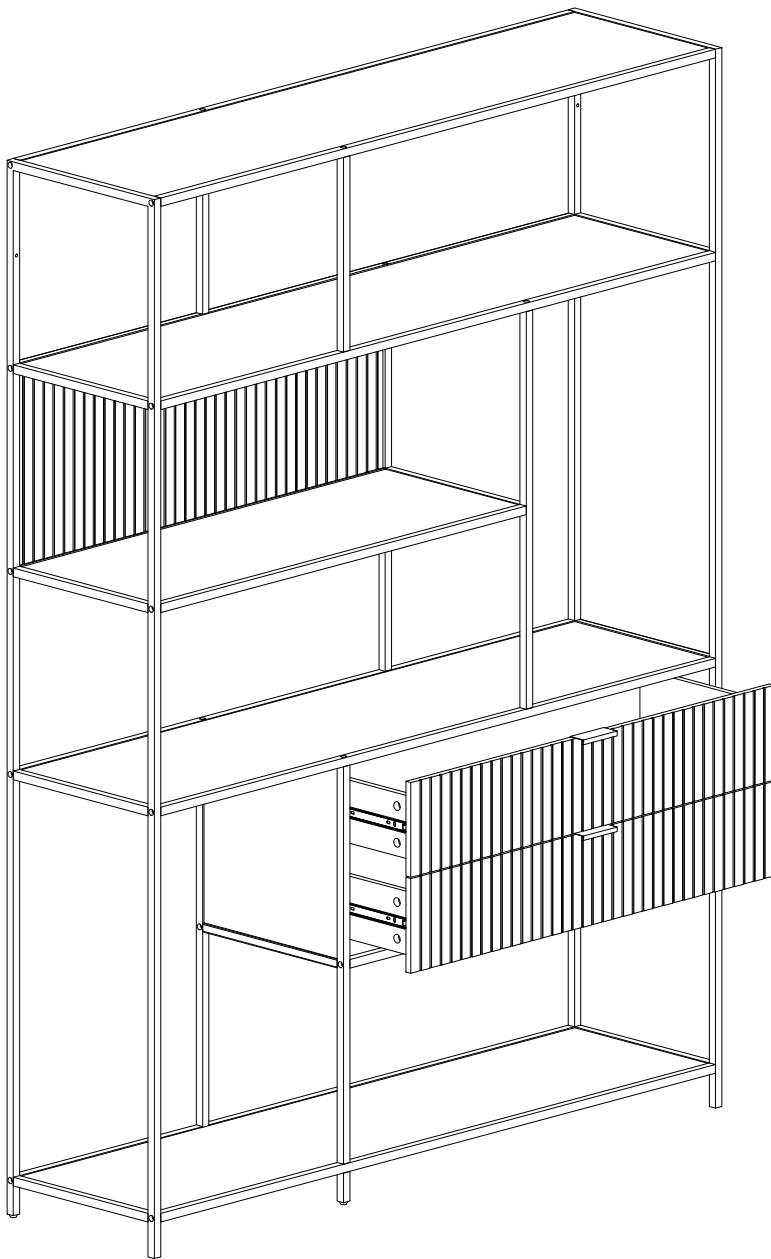
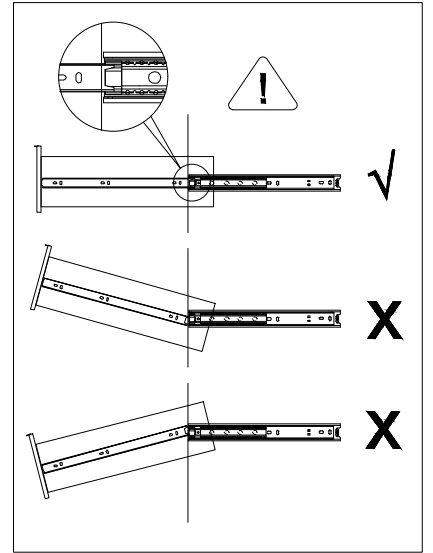


# 21

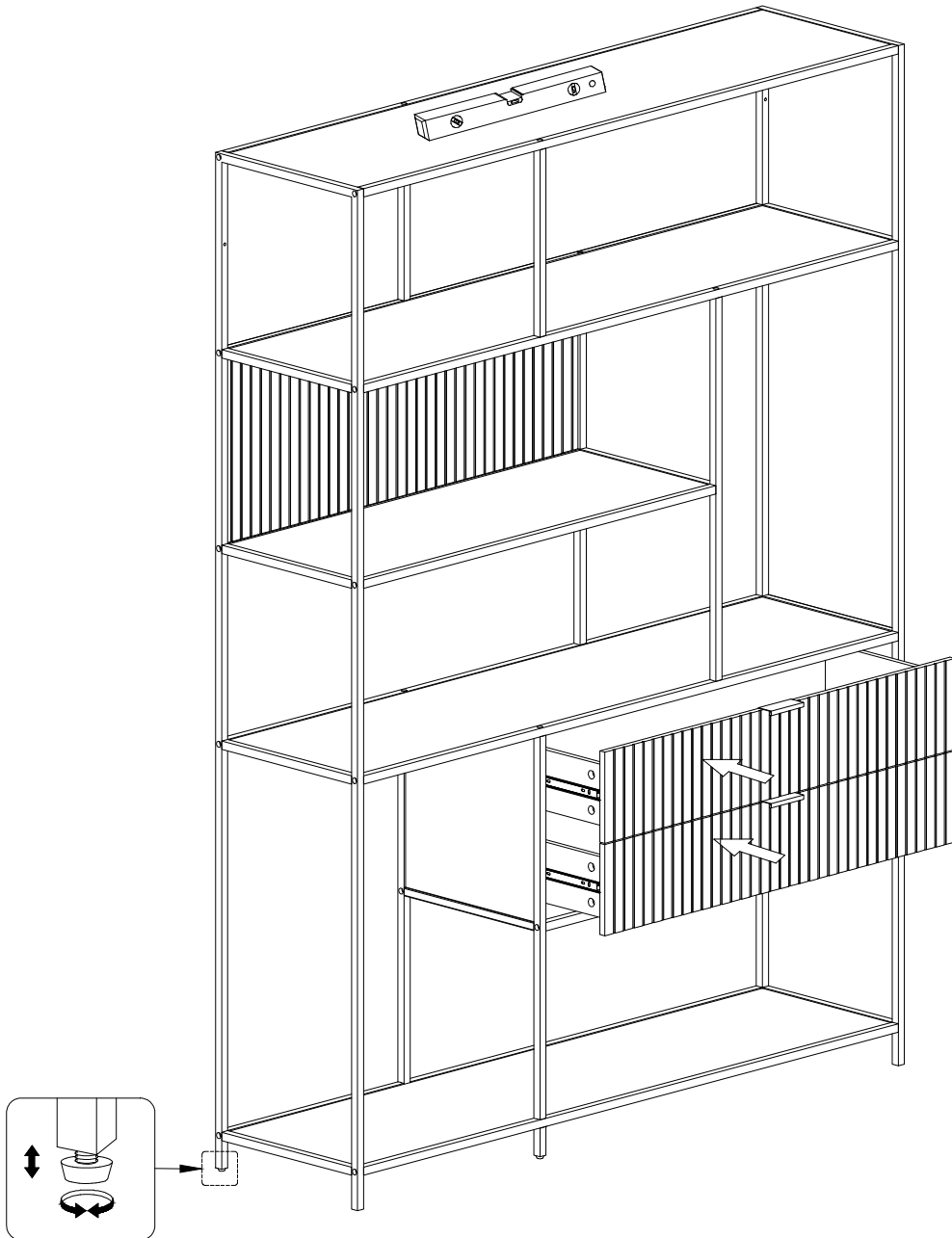
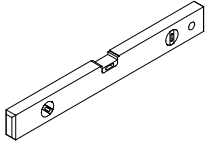
G x 8	H x 4	L x 2
		
Ø20 mm	Ø3.5x12 mm	80x32x18 mm



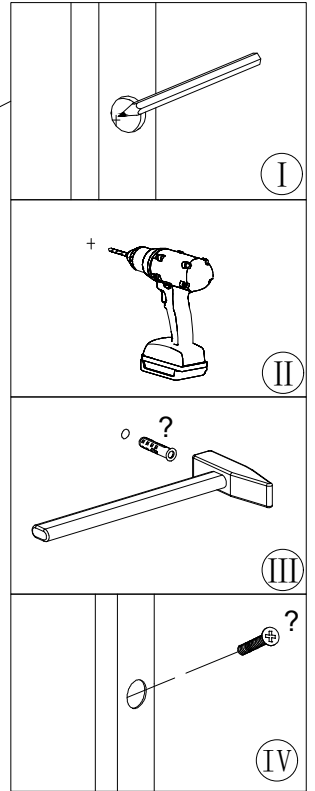
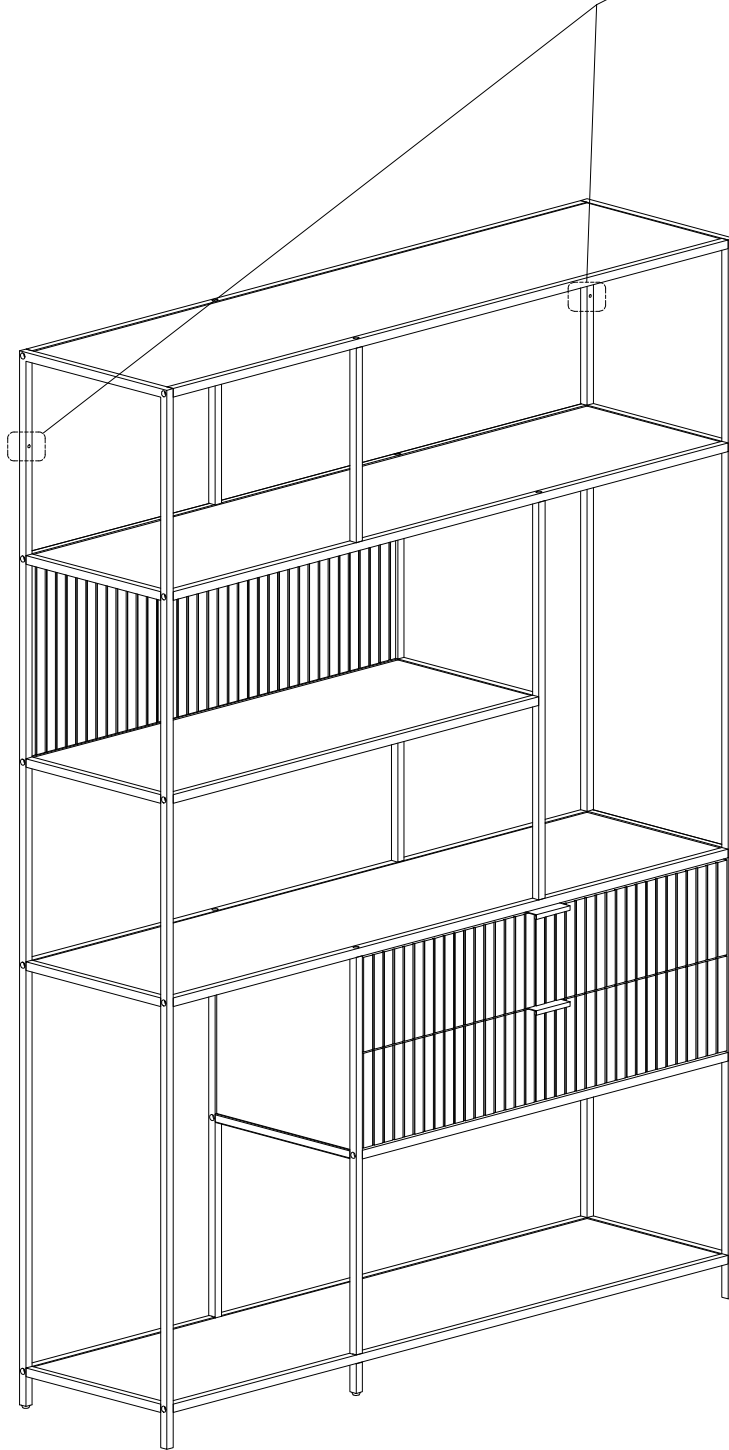
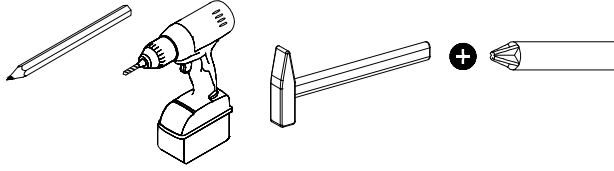
**x2**



23



# 24



25

