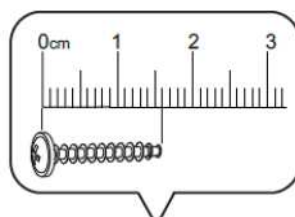
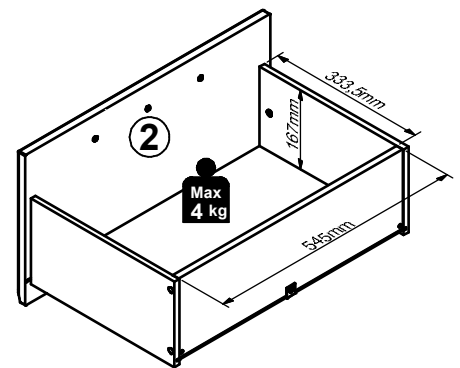
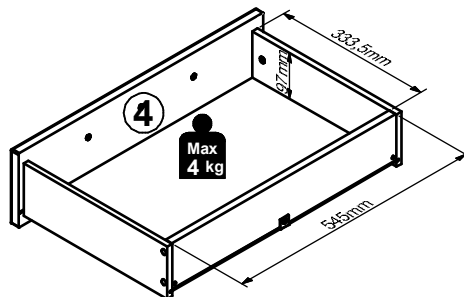
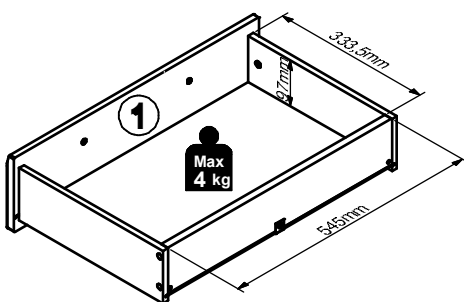
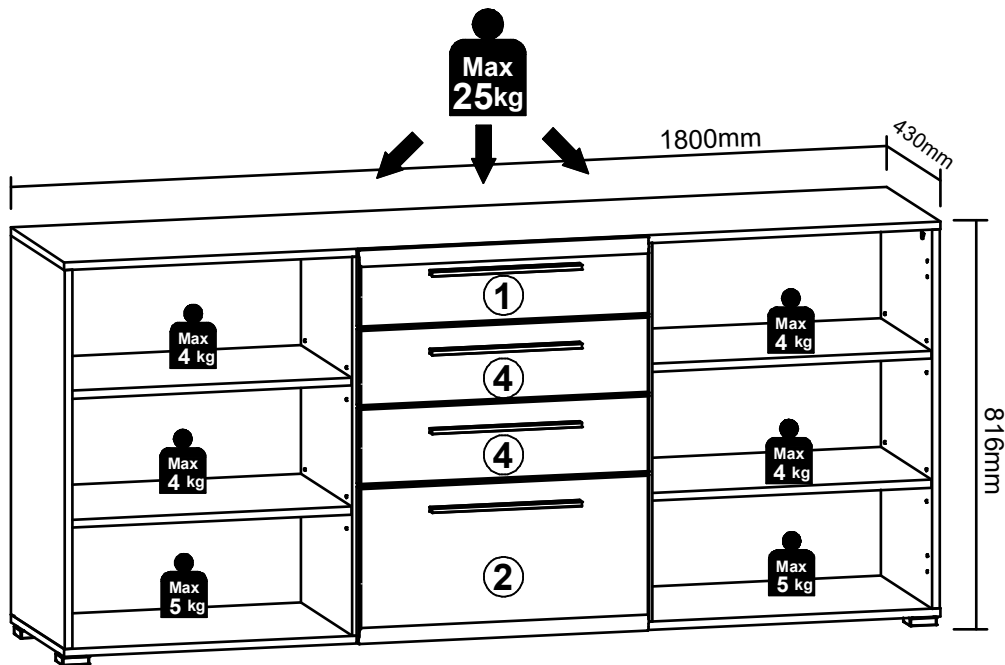
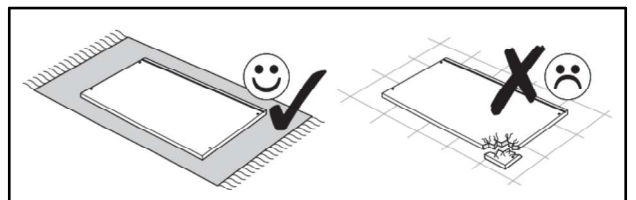
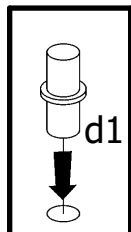
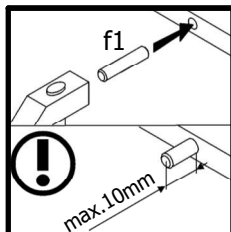
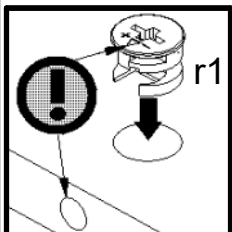
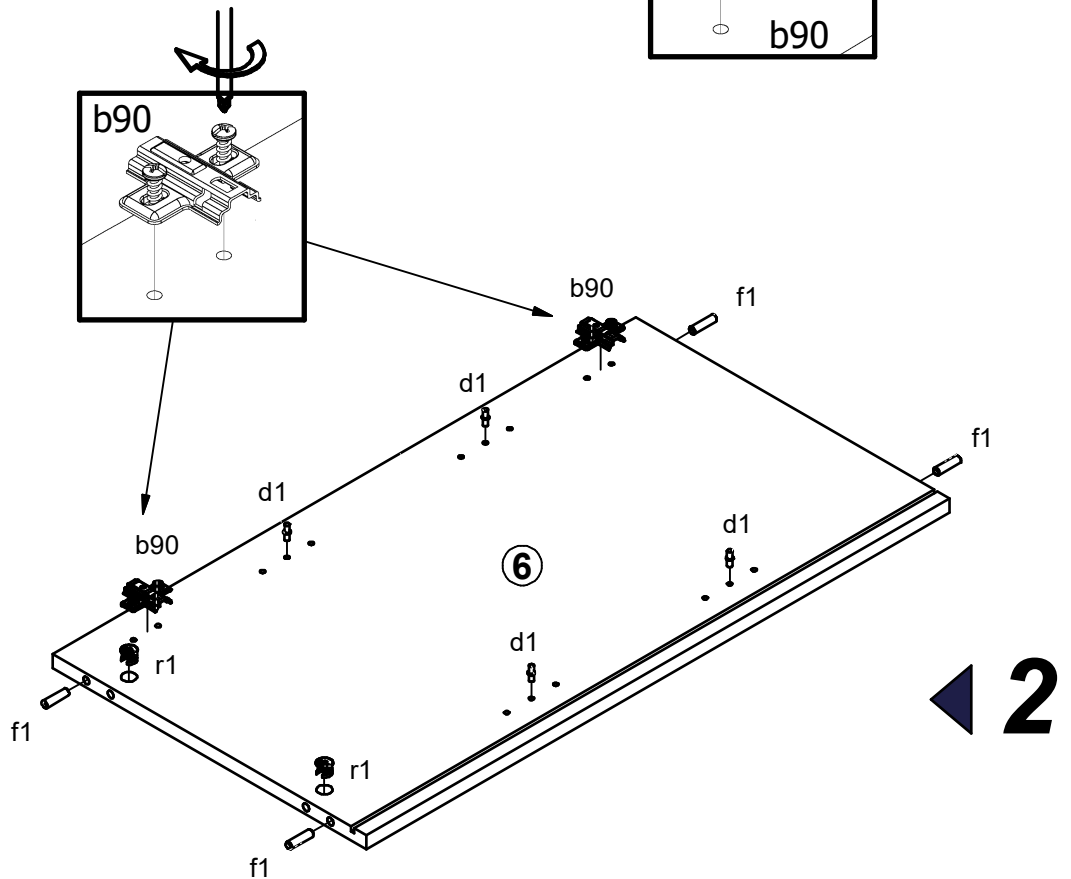
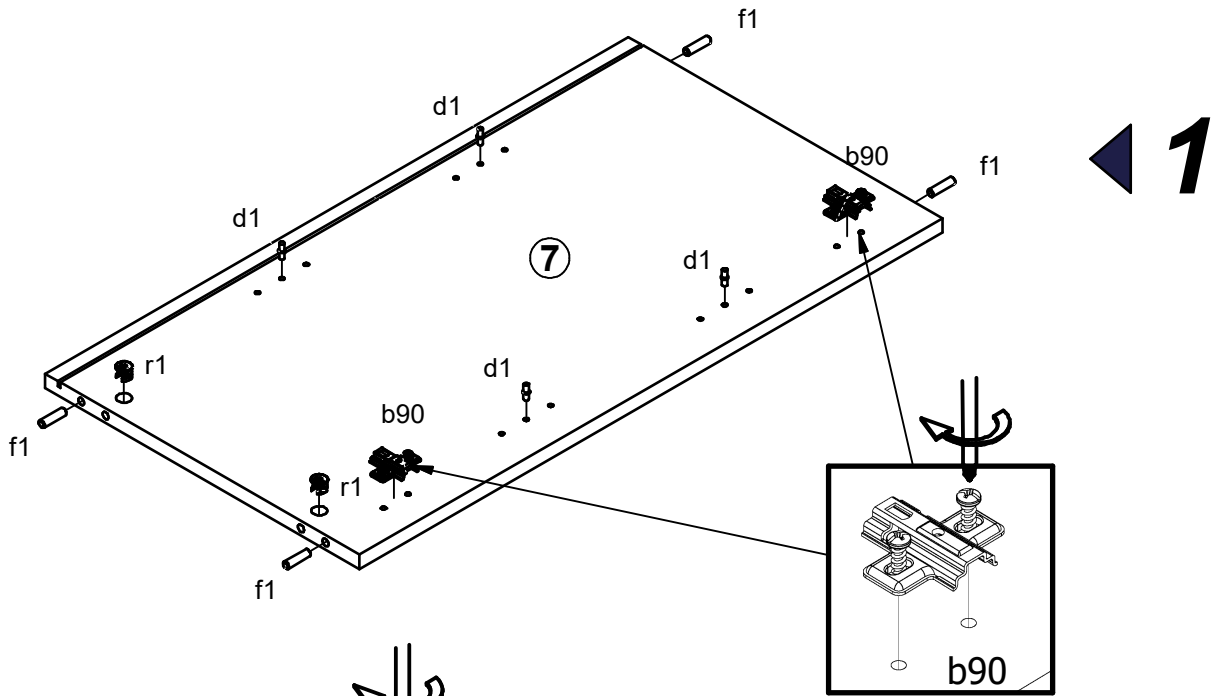
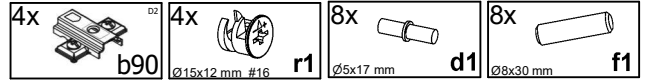


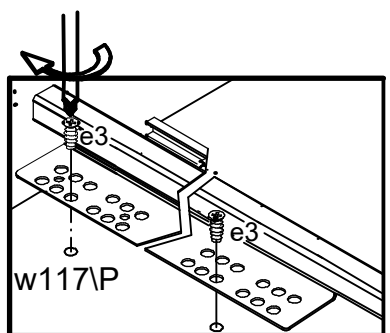
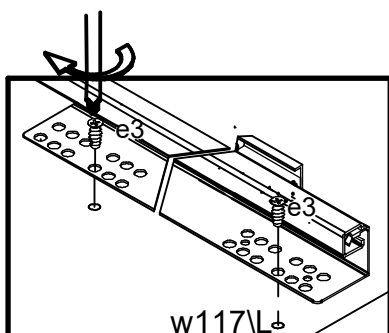
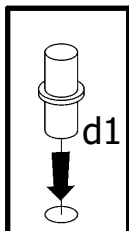
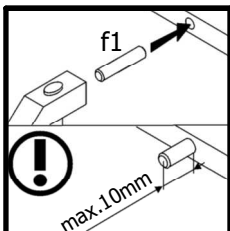
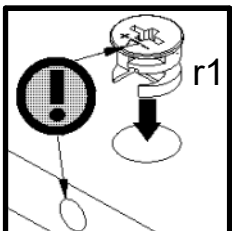
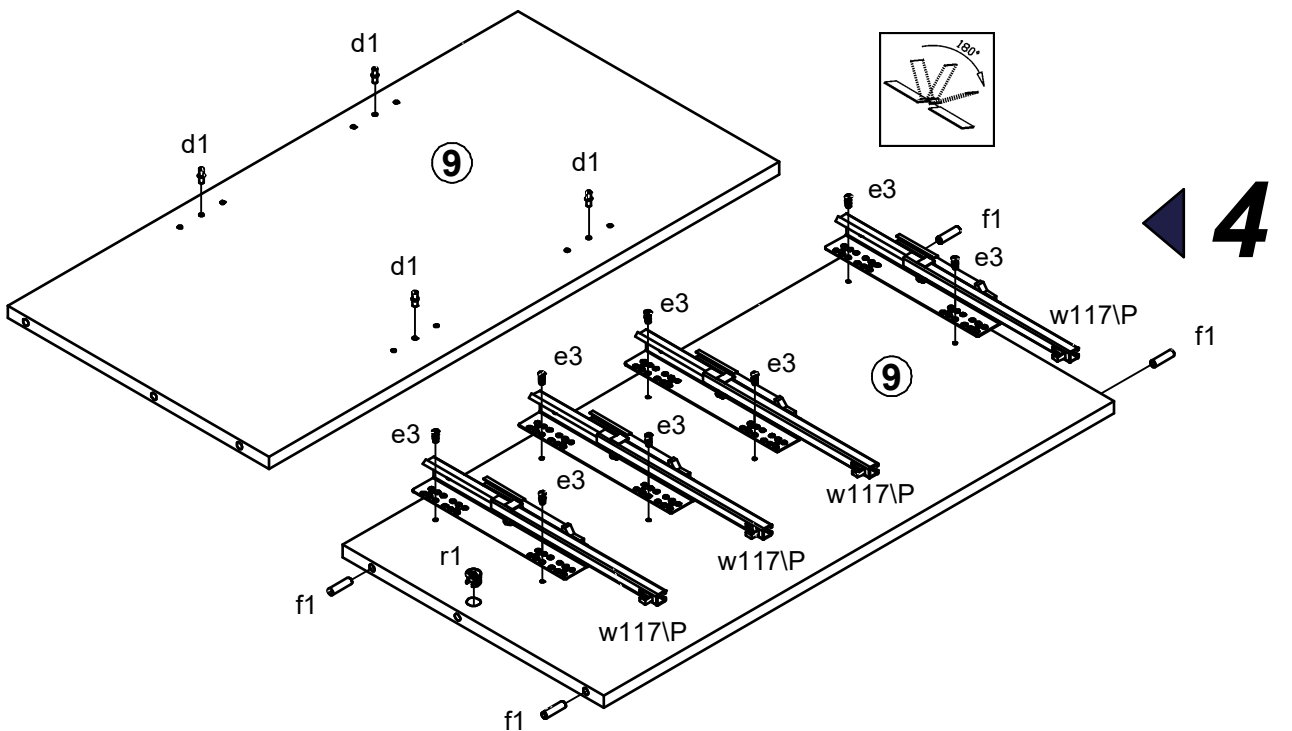
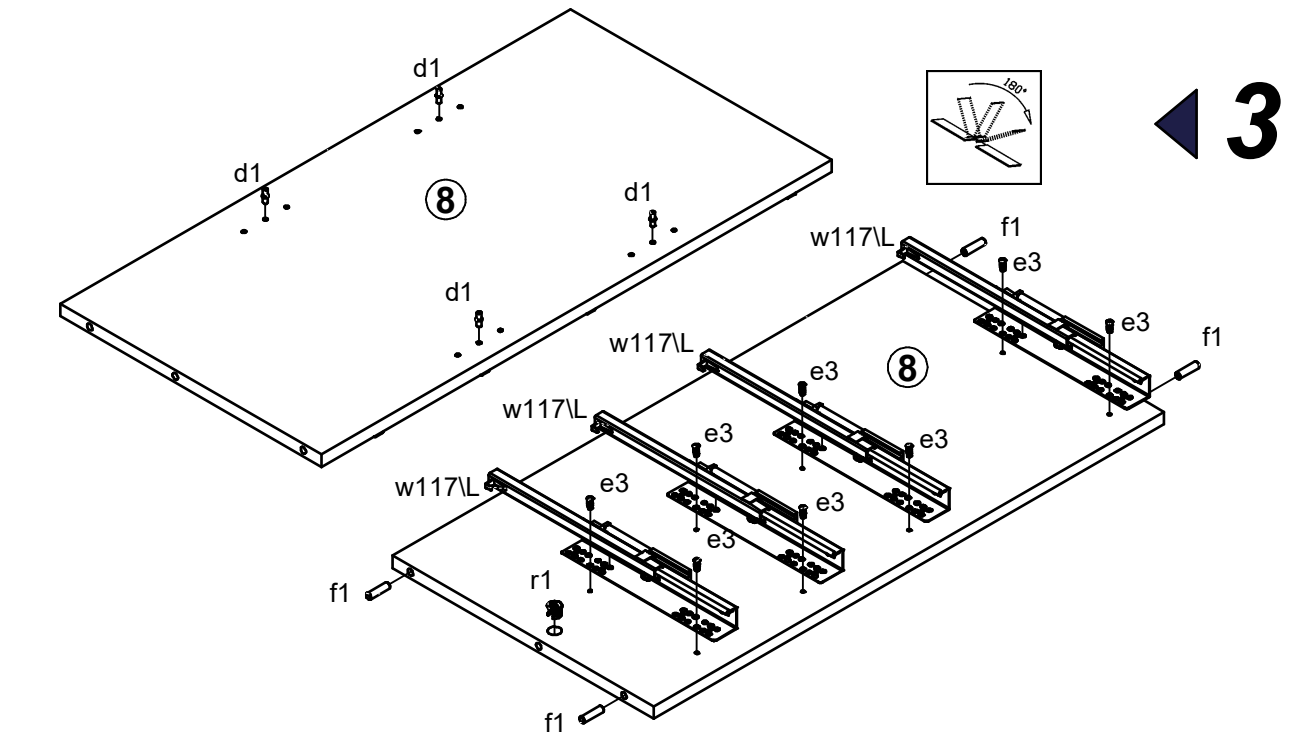
A	B1	B2	C1	C2	C3	D
1	S577-0008	-6	596	156	19	3/3
2	S577-0009	A	596	317	19	3/3
3	S577-0010	-2	794	596	19	3/3
4	S577-0023	-3	596	156	19	3/3
5	S577-0024	-2	794	596	19	3/3
6	S577-1024	-2	764	411	16	2/3
7	S577-1025	-2	764	411	16	2/3
8	S577-1026	-3	764	391	16	1/3
9	S577-1027	-2	764	391	16	1/3
10	S577-2016	-3	1800	411	16	2/3
11	S577-2017	-6	1800	411	16	2/3
12	S577-3016	-2	575	387	16	1/3
13	S577-5011	-2	218	218	15	3/3
14	S577-9002	-2	774	589	2,5	3/3
15	S577-9003	-2	774	589	2,5	3/3
16	S577-9004	-2	774	597	2,5	3/3
17	WSP-9598	B.53	555	358	2,5	1/3
18	WSQ2-5005	-7	350	110	12	1/3
19	WSQ2-5006	-7	350	110	12	1/3
20	WSQ4-5005	A.1	350	180	12	1/3
21	WSQ4-5006	A.1	350	180	12	1/3
22	ZQ6-5391	A.29	545	97	15	3/3
23	ZQ6-5428	A.29	545	167	15	3/3





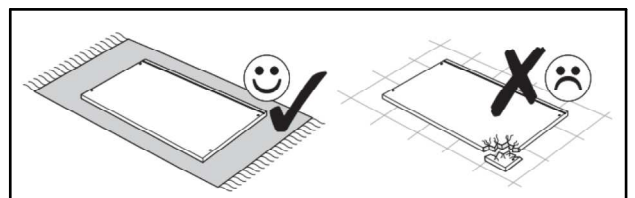
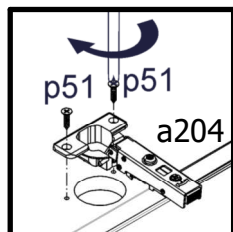
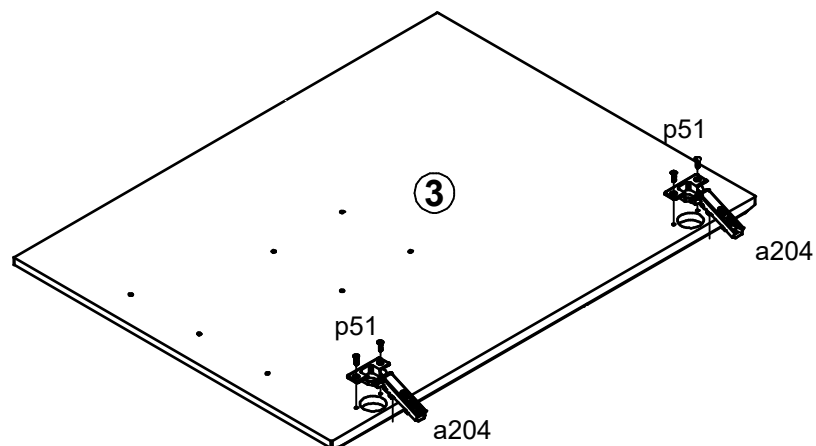
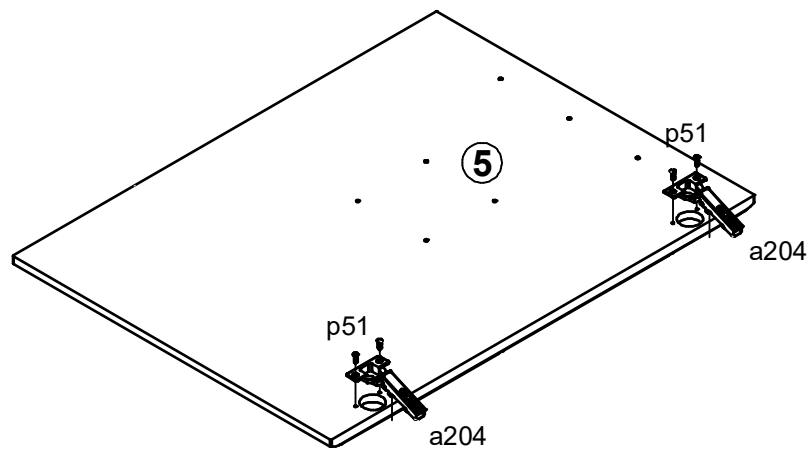
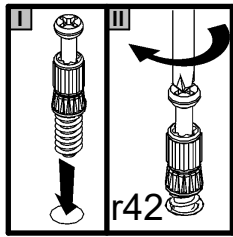
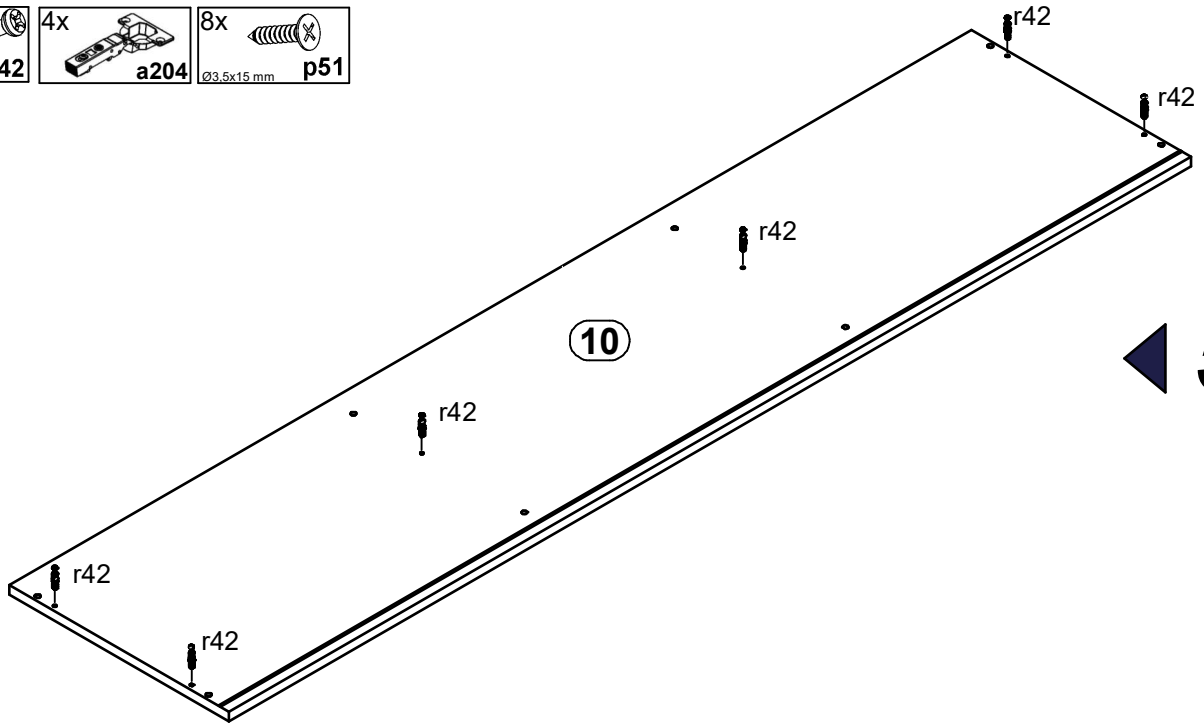


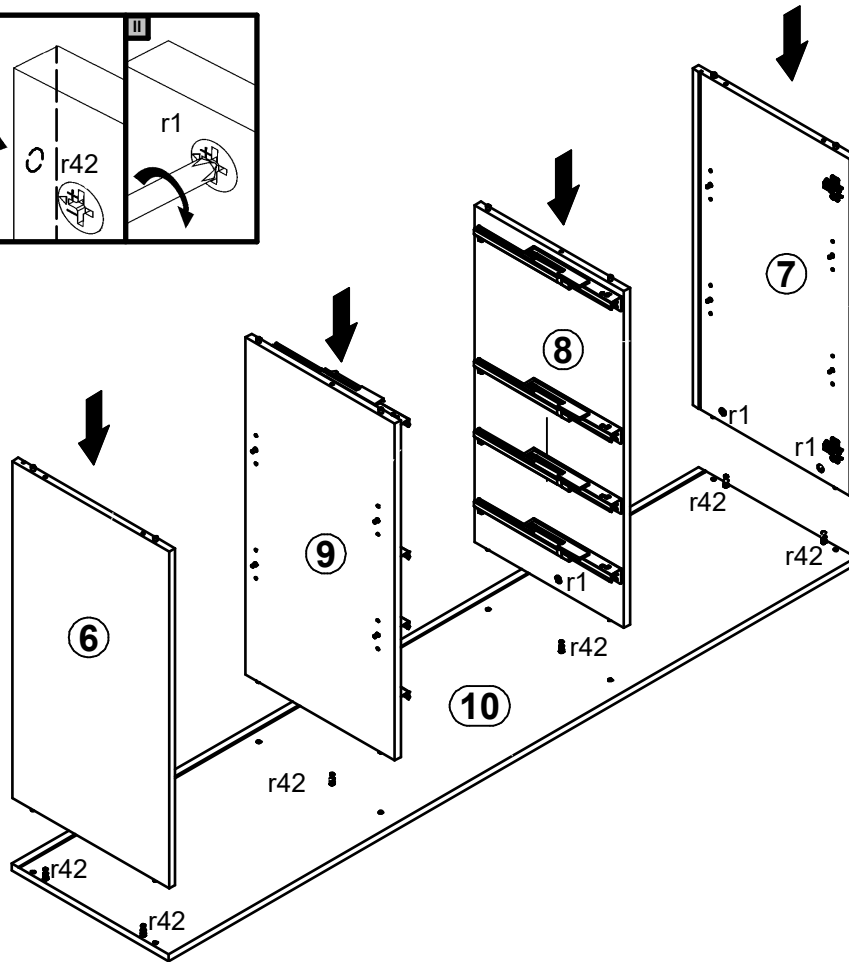
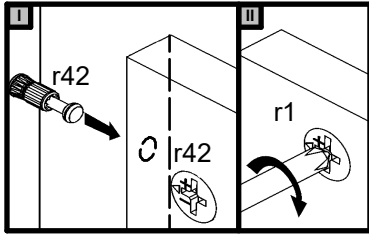
2x Ø15x12 mm #16 r1	8x Ø5x17 mm d1	8x Ø8x30 mm f1	16x Ø6x13 mm e3	4x 350 mm W117/L	4x 350 mm W117/P
---------------------------	----------------------	----------------------	-----------------------	---------------------	---------------------



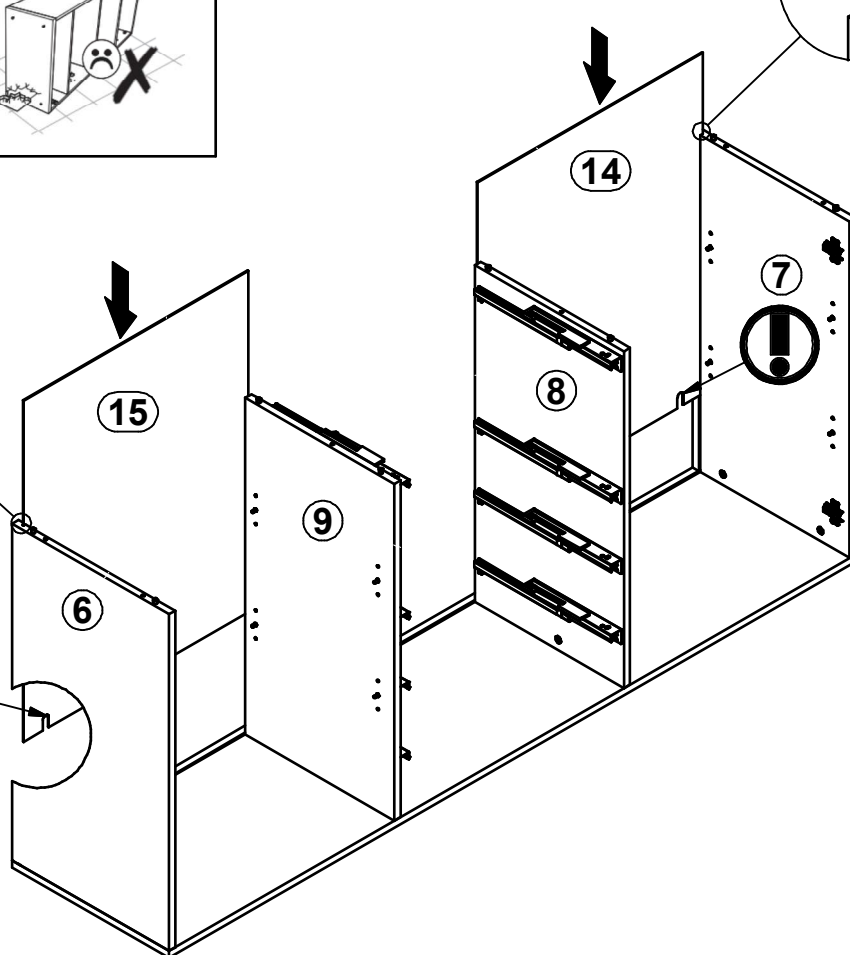
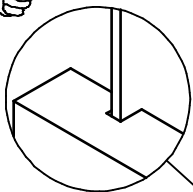
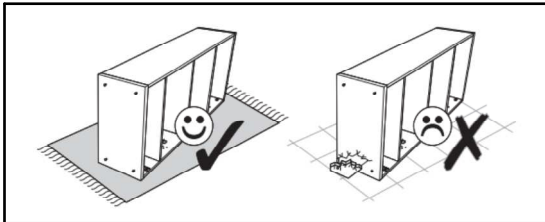
A**S577-KOM2D4S****1BE6--20**

7 /19

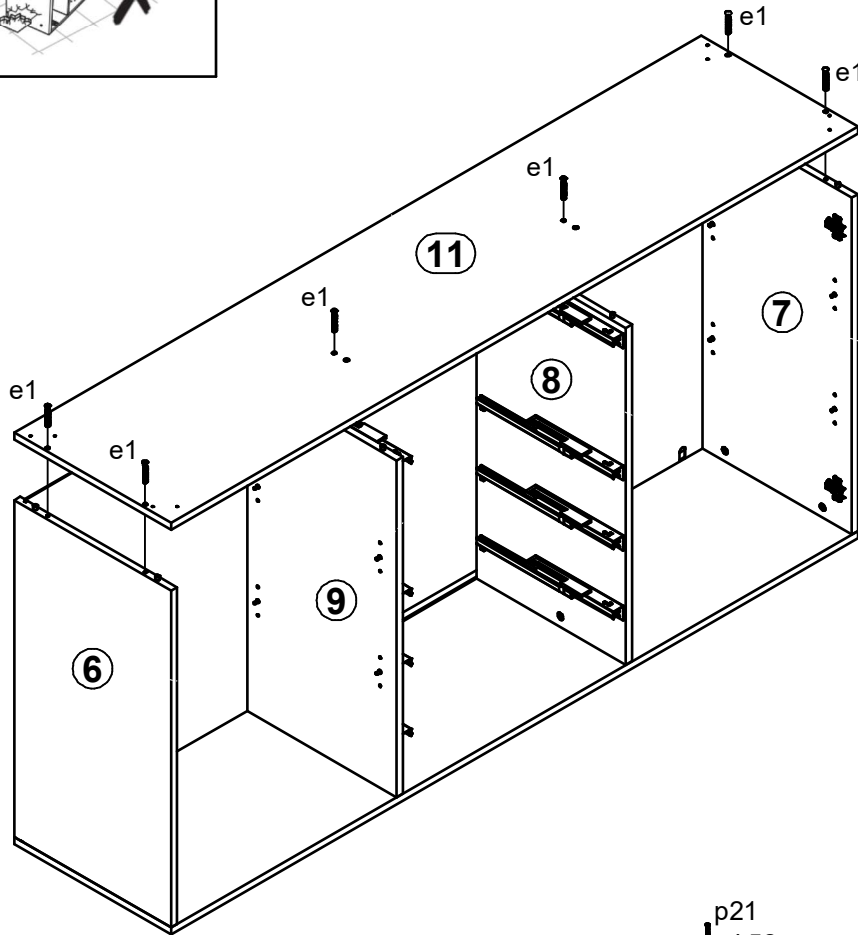
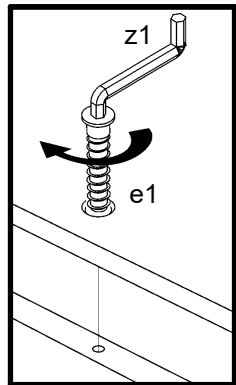
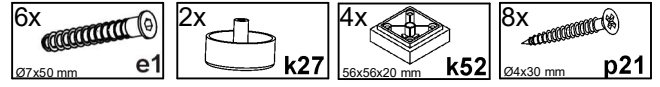
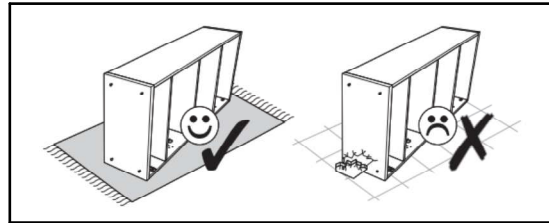




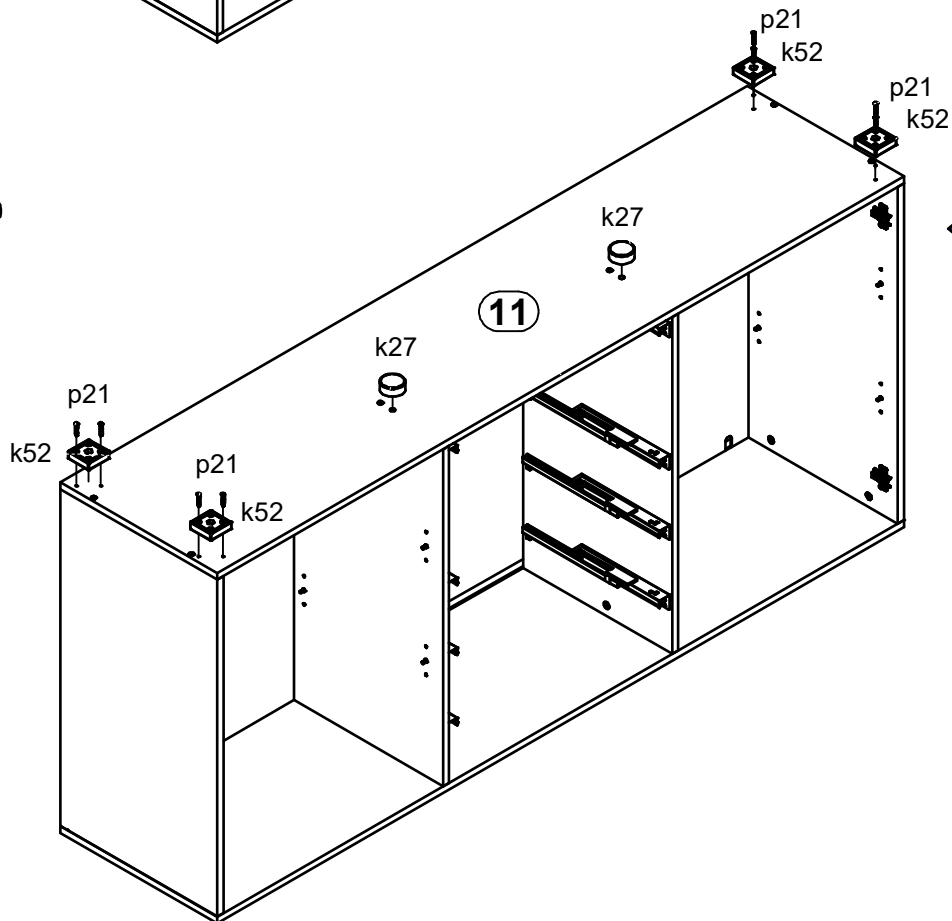
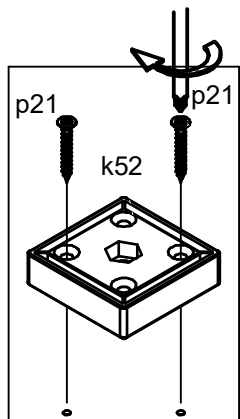
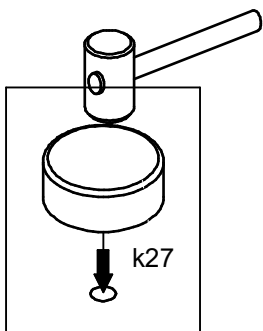
8



9

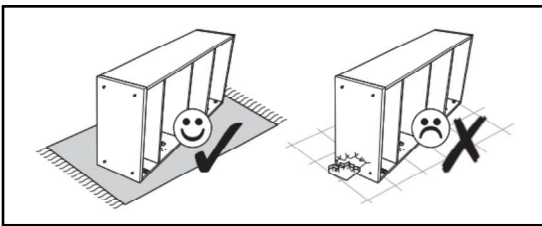
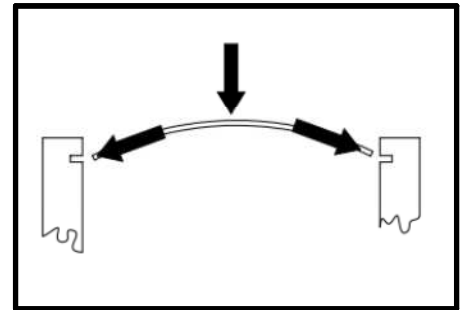
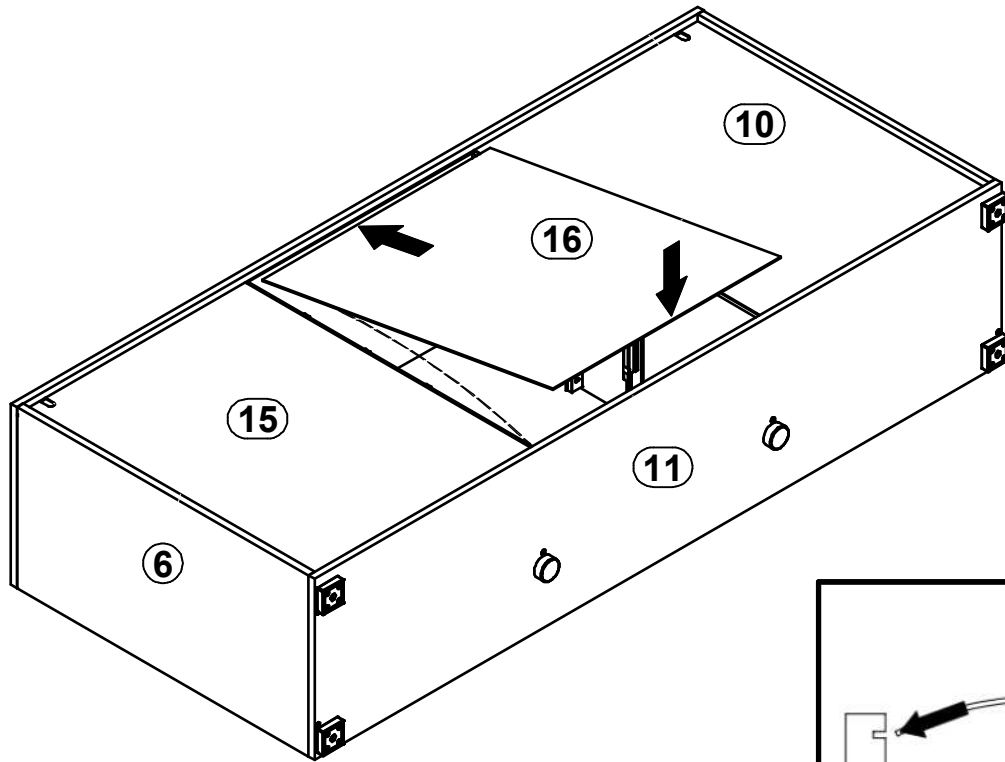


10

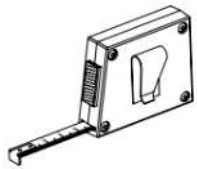


11

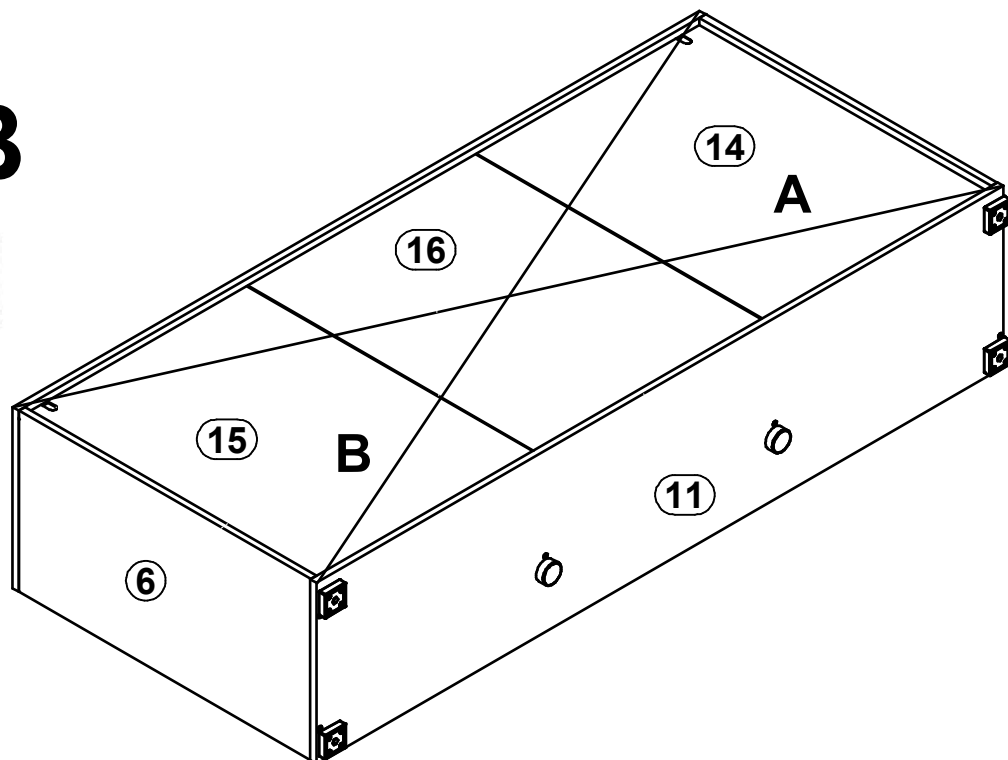
12

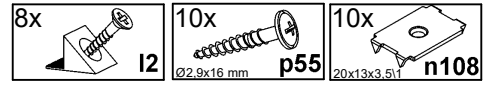
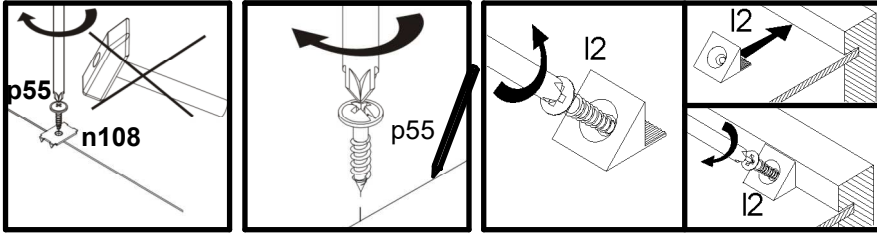


! **A=B**

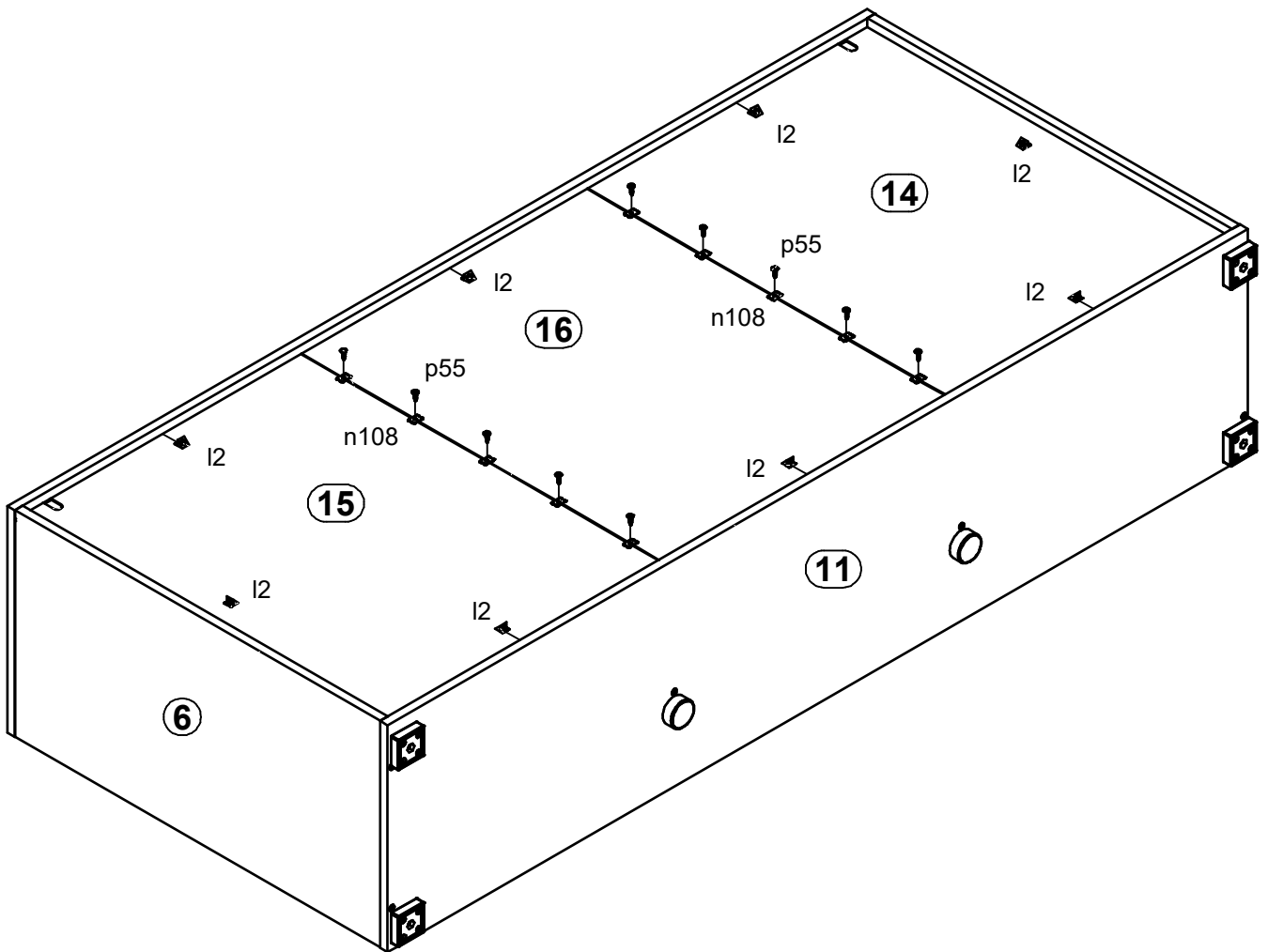
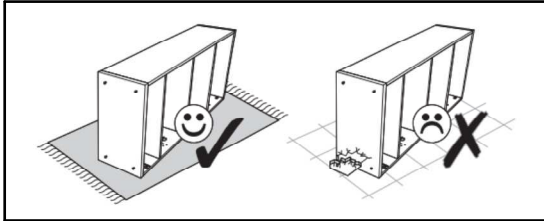


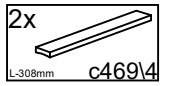
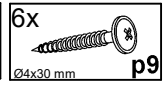
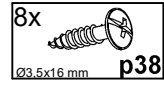
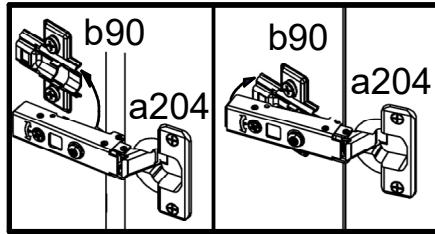
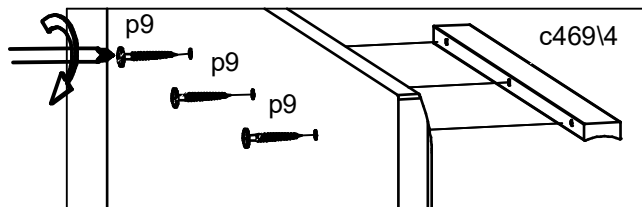
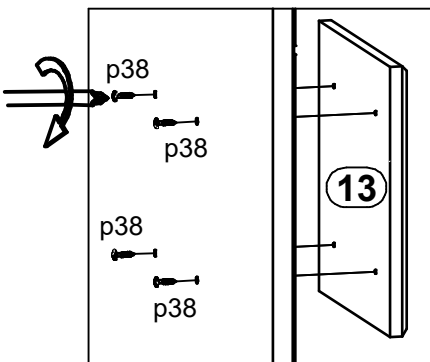
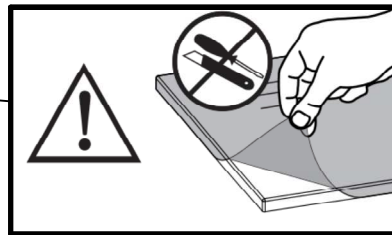
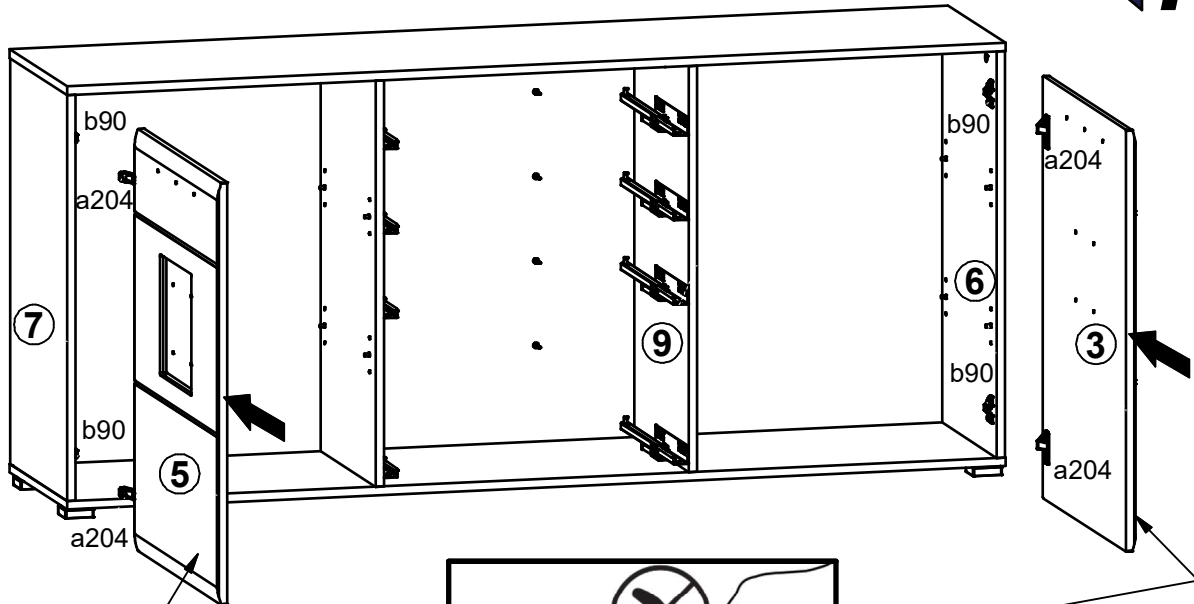
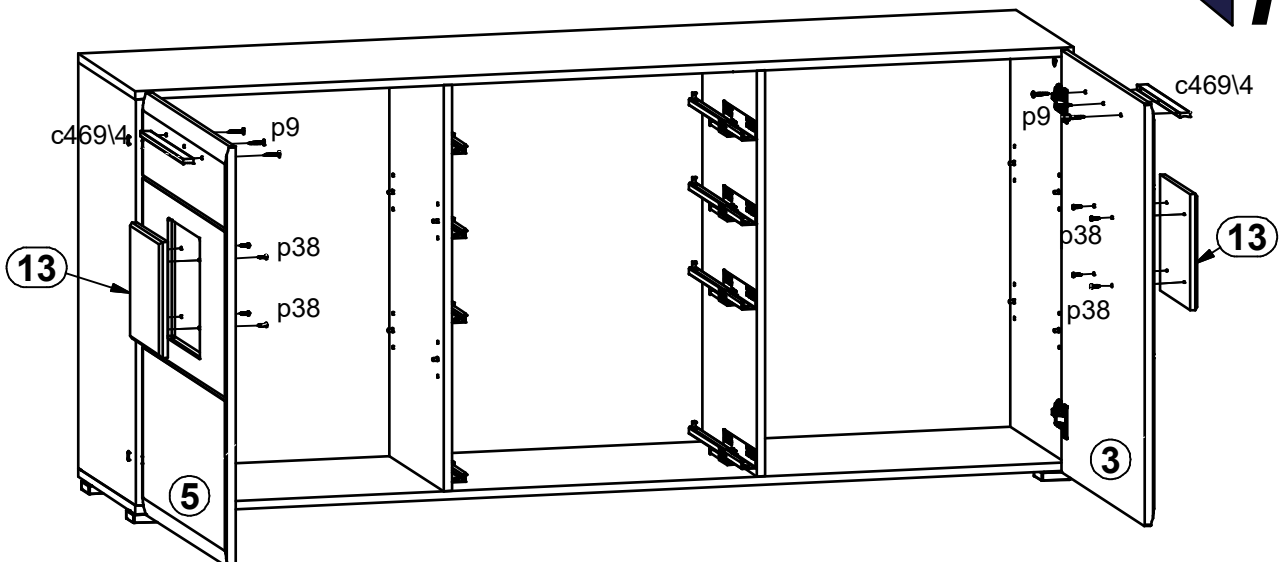
13

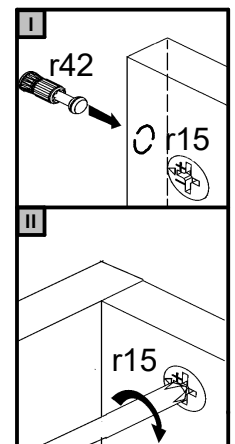
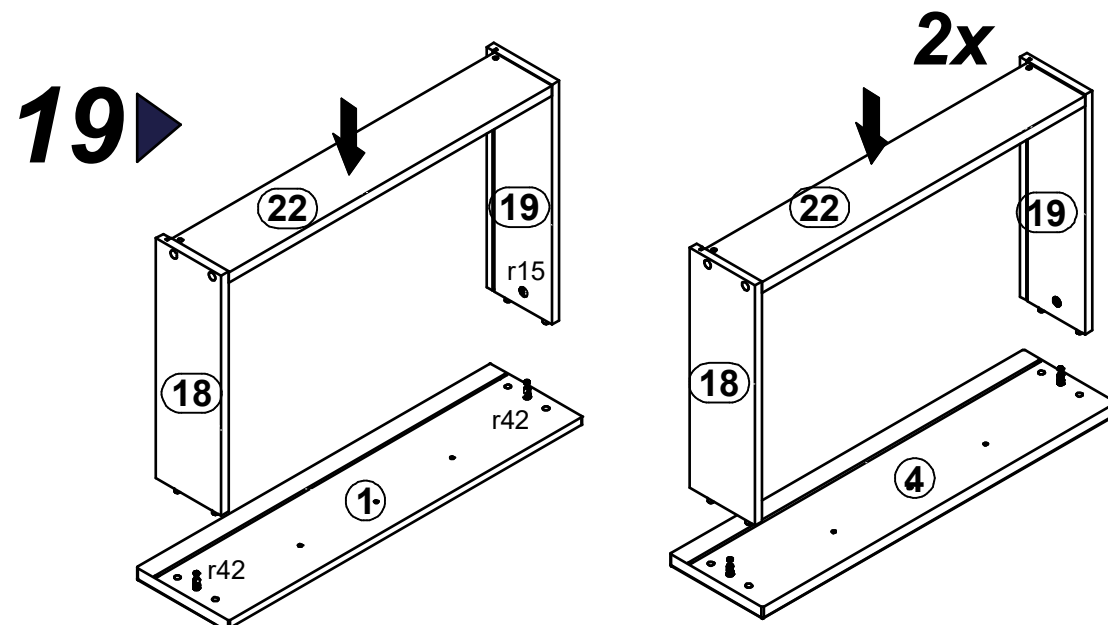
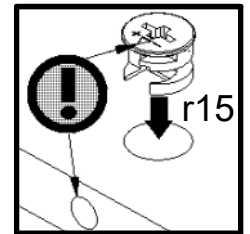
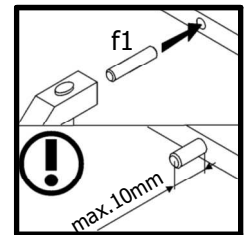
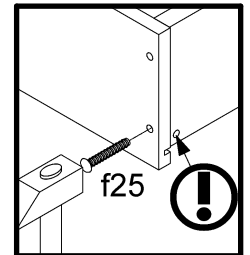
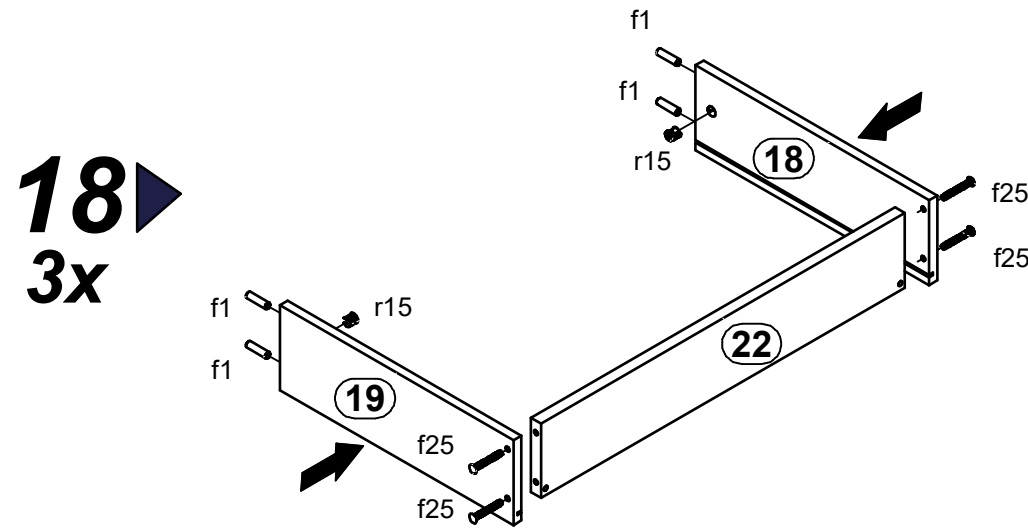
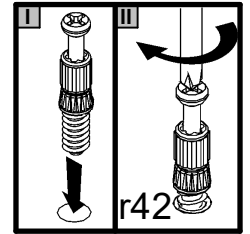
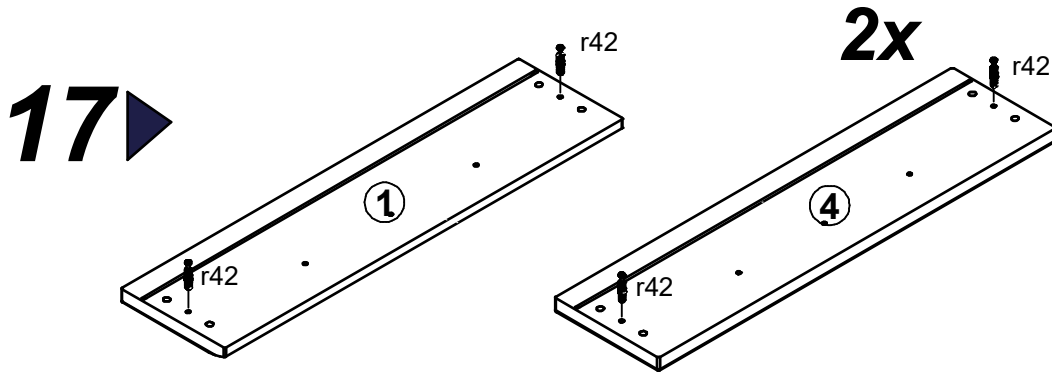
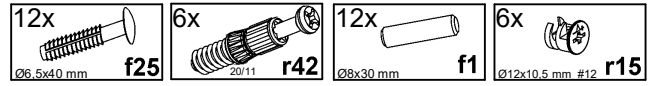
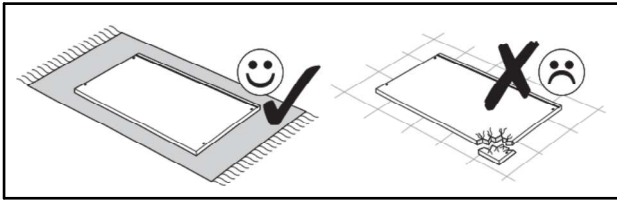


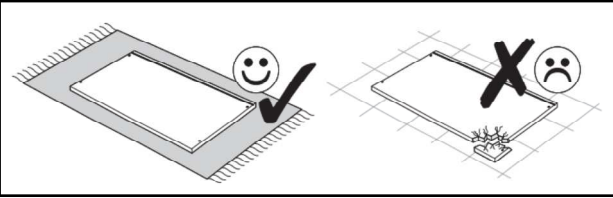


14



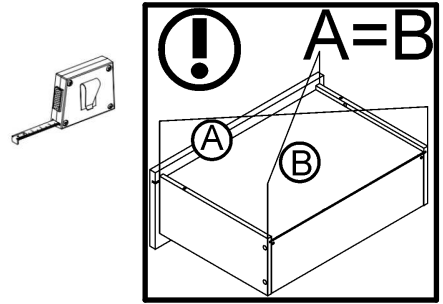
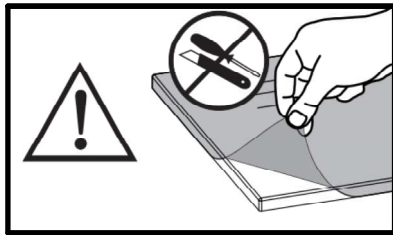
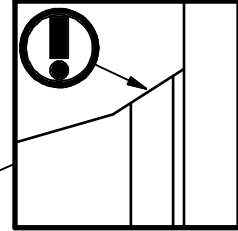
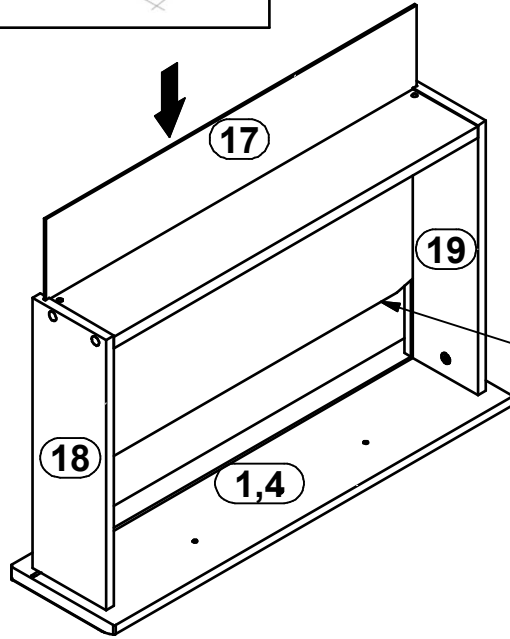
**15****16**



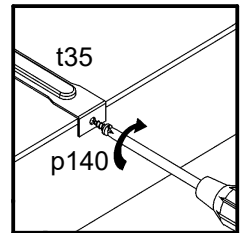
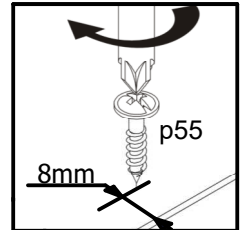
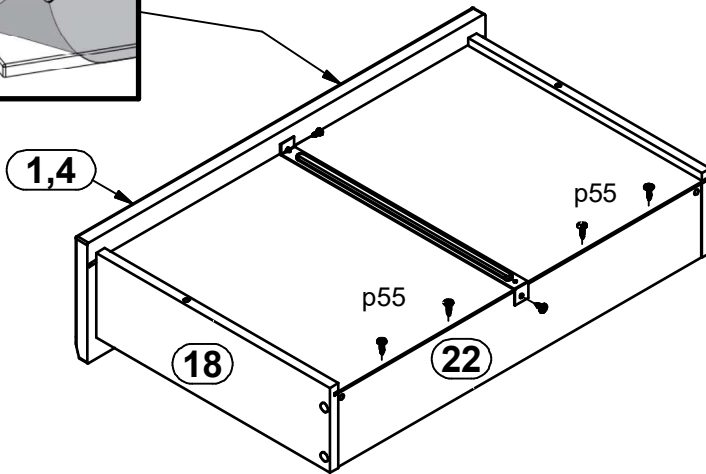


3x 350 mm t35	9x Ø4x30 mm p9	3x L-308mm c469\4
3x Ø3,5x12mm p140	3x Ø3,5x15 mm p51	12x Ø2,9x16 mm p55

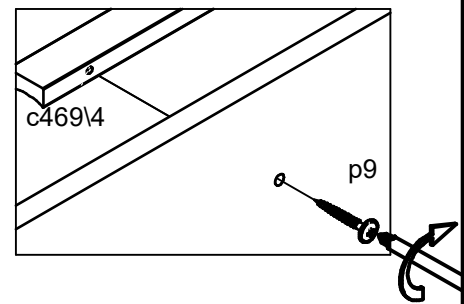
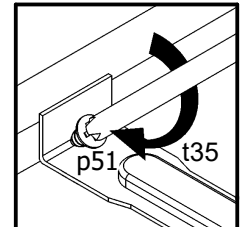
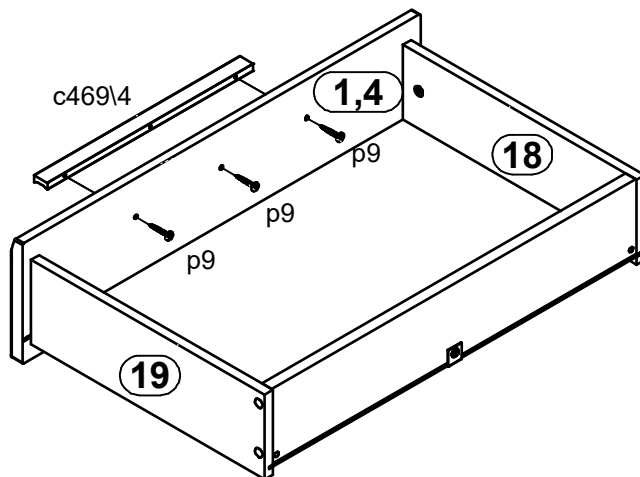
3x
20▶

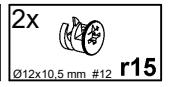
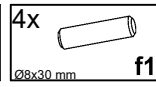
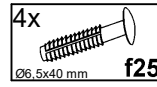
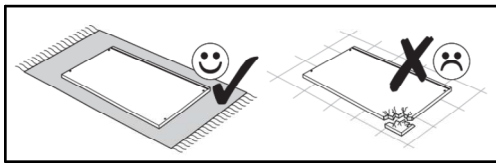


21▶

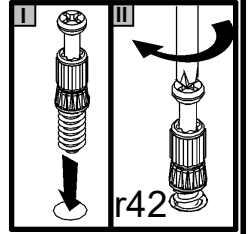
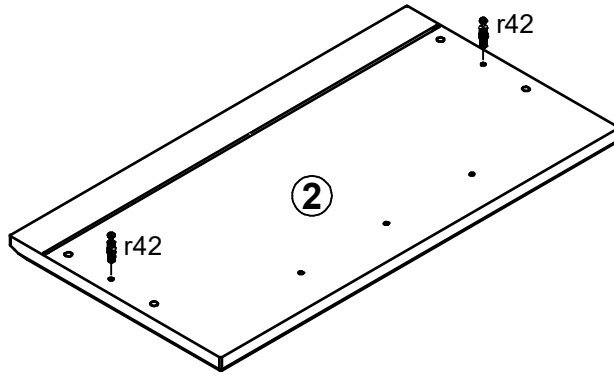


22▶

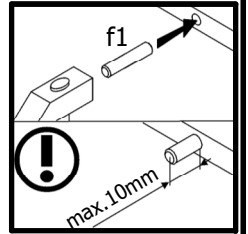
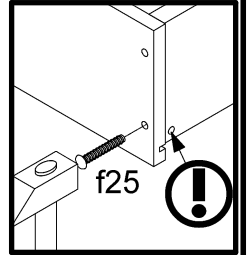
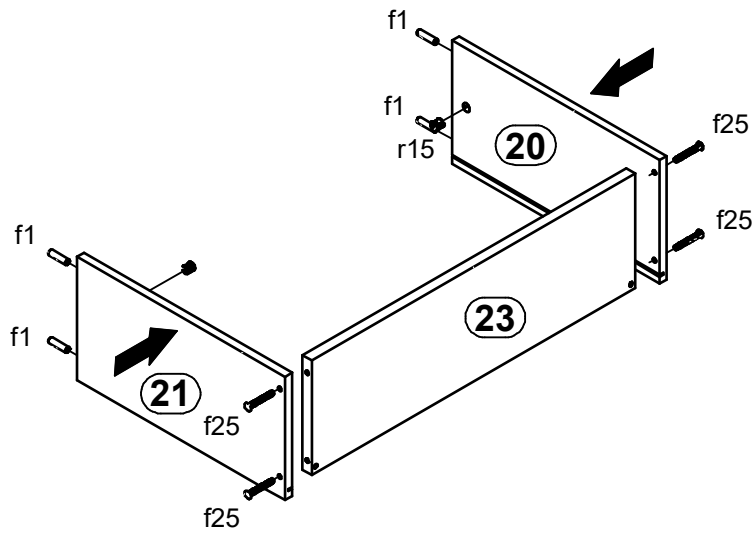




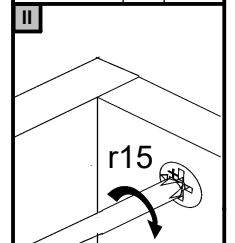
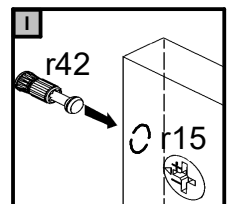
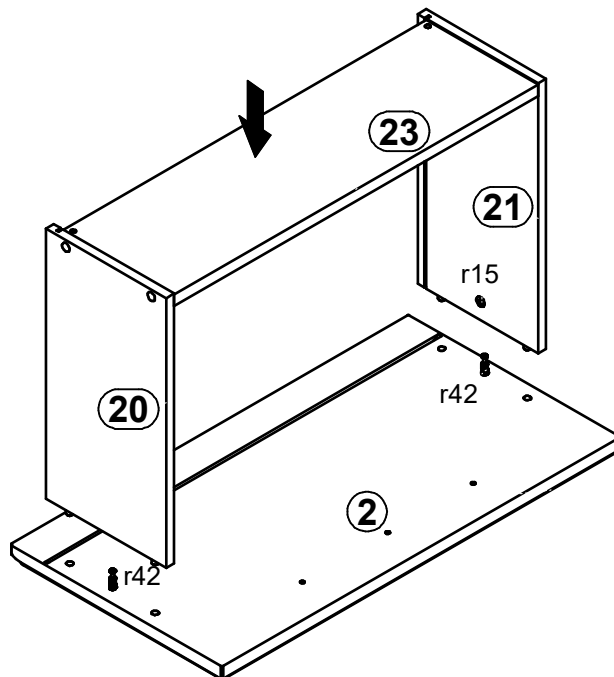
23 ▶

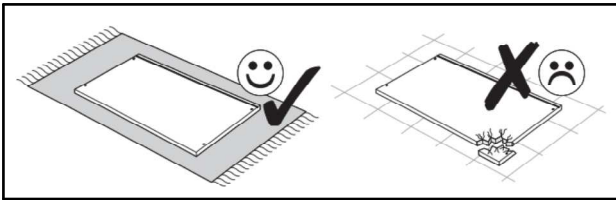


24 ▶



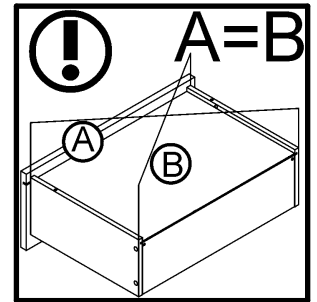
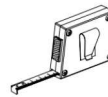
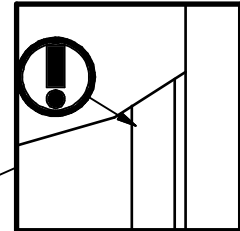
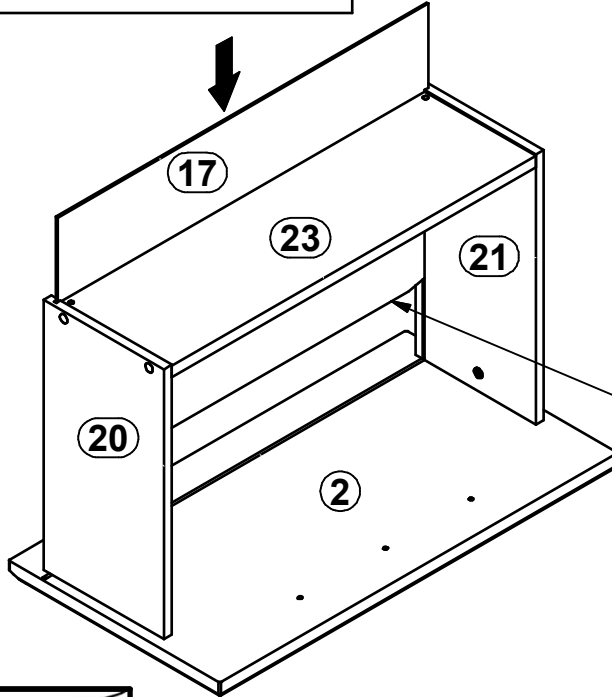
25 ▶



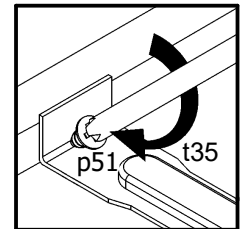
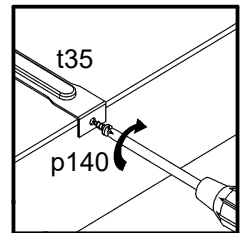
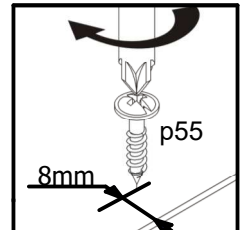
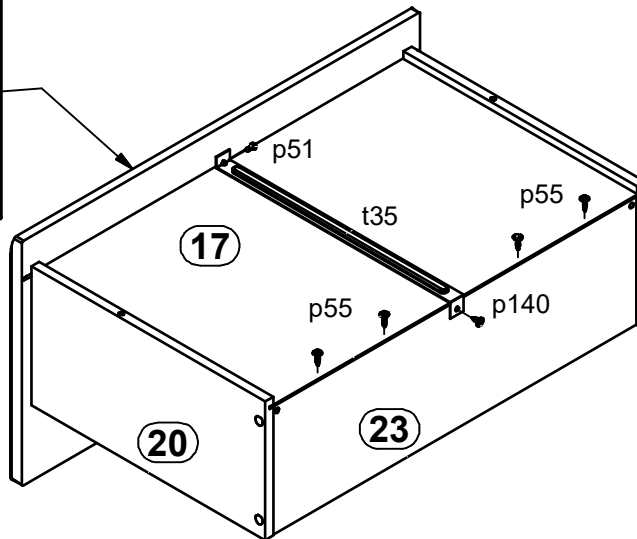


1x 350 mm t35	2x Ø4x30 mm p9	1x L=308mm c469\4
1x Ø3.5x12mm p140	1x Ø3.5x15 mm p51	4x Ø2.9x16 mm p55

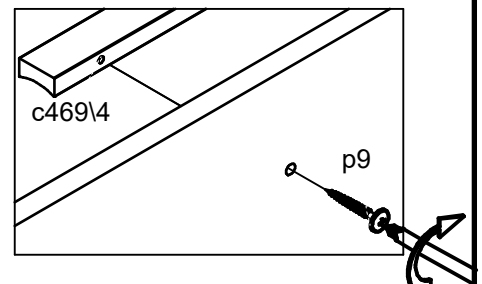
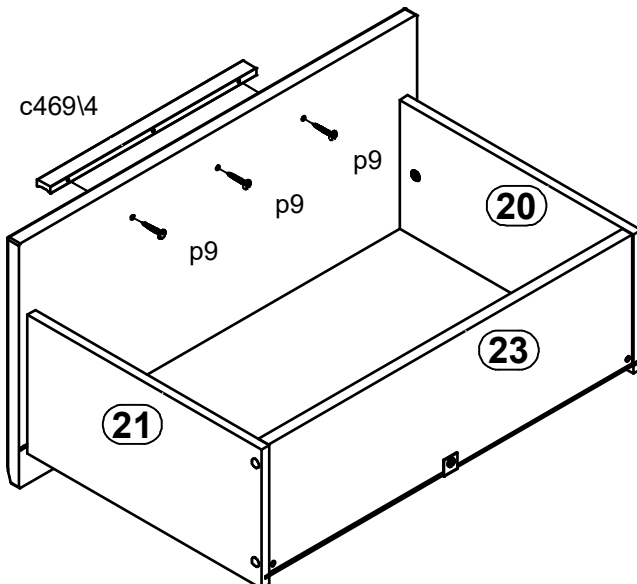
26 ▶



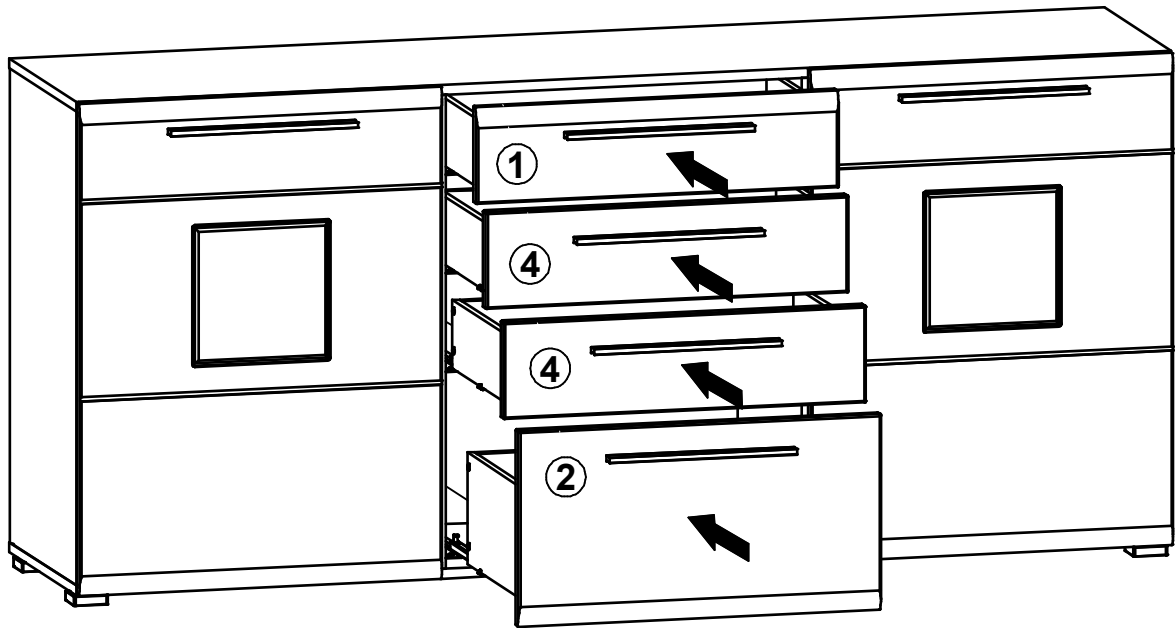
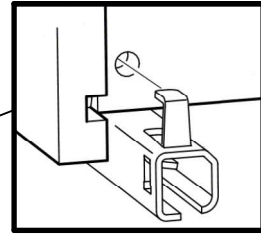
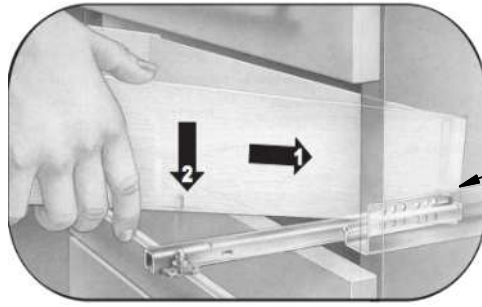
27 ▶

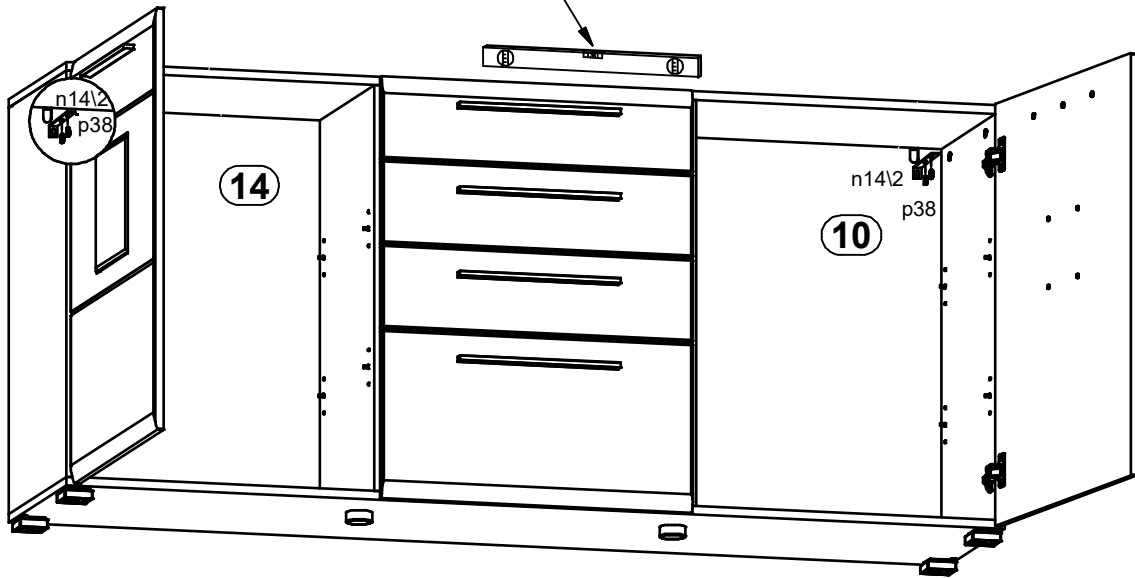
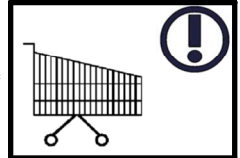
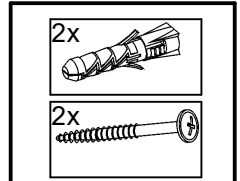
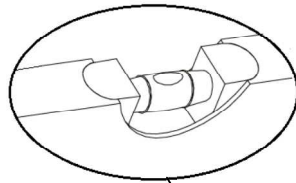
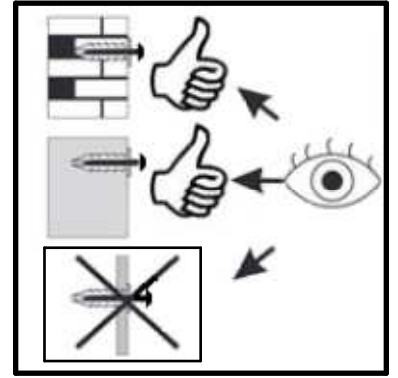
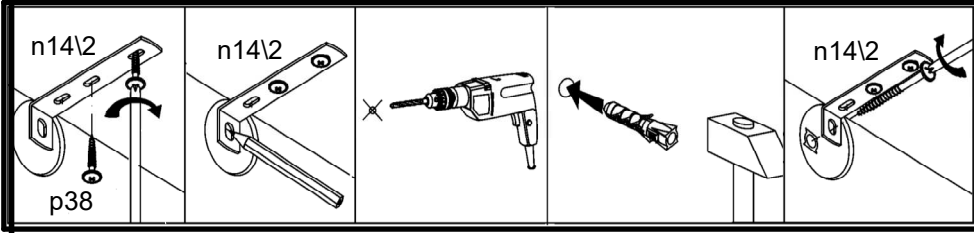
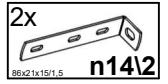
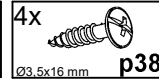
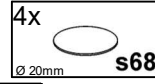


28 ▶

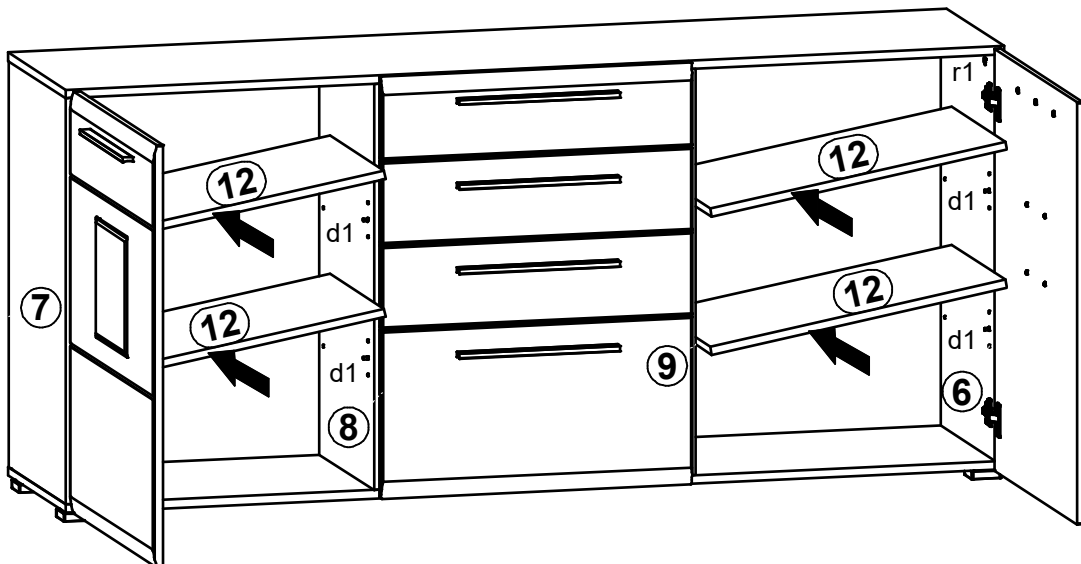


29

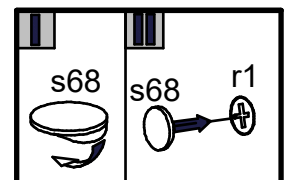
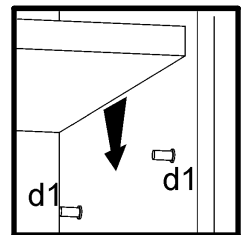




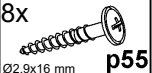
← 30



← 31



32

1x HOM'IN s9312
 8x  p55
 Ø2,9x16 mm

