

Assembly instruction model "305x / 306x / 307x
TORSION TILT "



A x 4
WKIZC M6x20
05-001885



B x 1
L5
05-002050

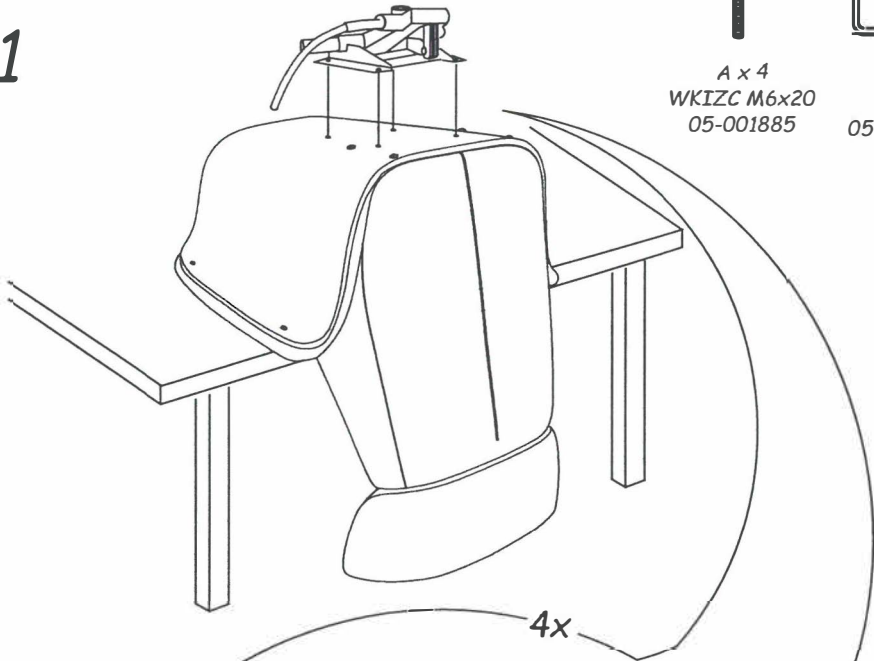
1



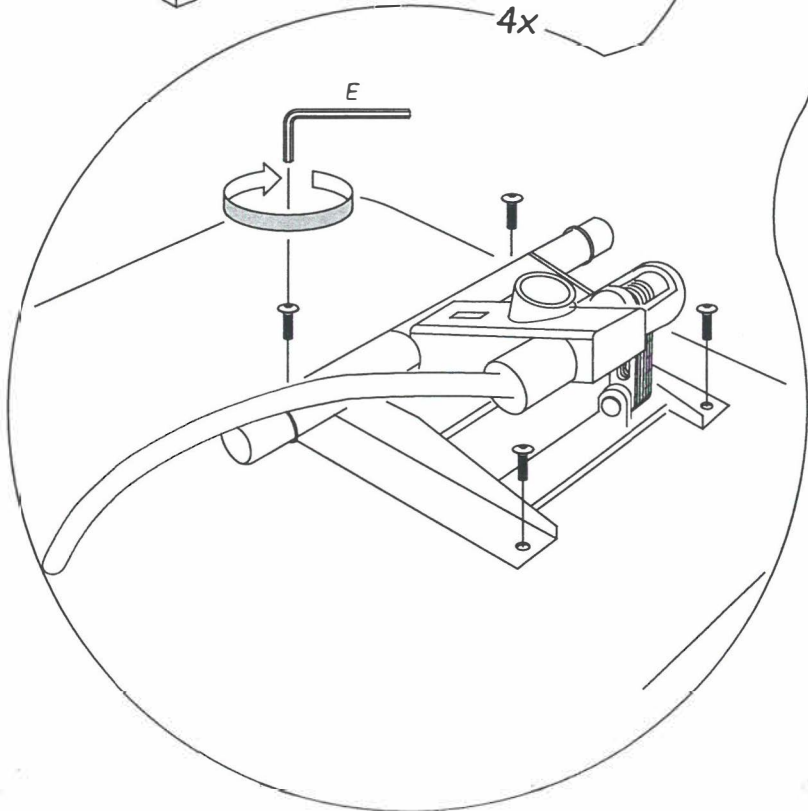
A x 4
WKIZC M6x20
05-001885



B x 1
L5
05-002050

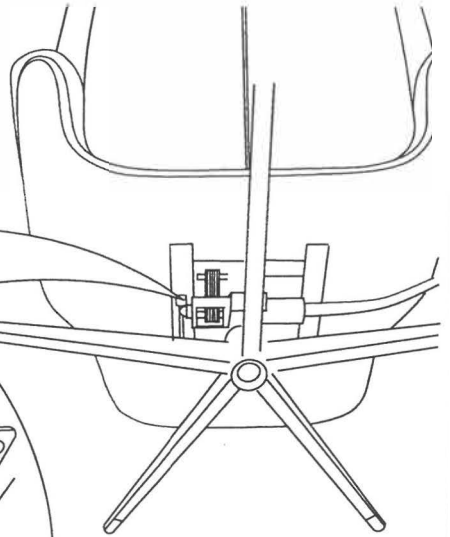
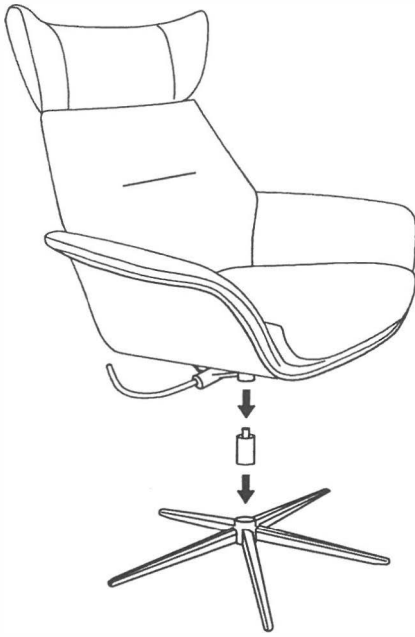


4x

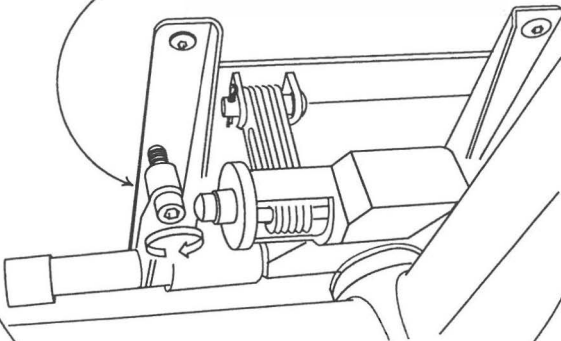


E

2



tighten bolt hard work mechanism, loosen bolt easy work mechanism



3



Blocked mechanism



mechanism work