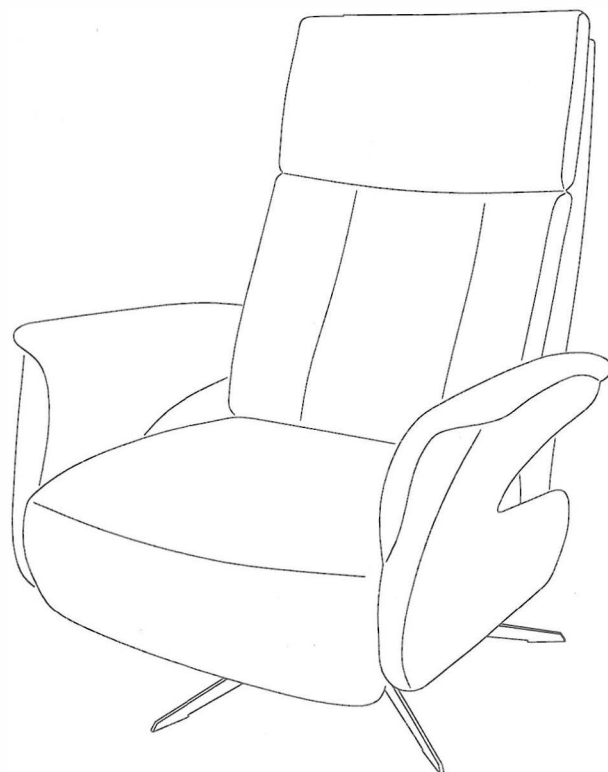


Assembly instruction

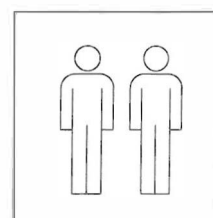
F3EL3 with gas lift



- The chair can only be used by children at least 8 years of age. People with reduced physical and intellectual abilities as well as people who don't have the knowledge nor experience of how to operate the chair can only use it under supervision or after being instructed how to use the chair in a safe way, so that all of the dangers are understandable for them.
- Children are not allowed to play with the chair.
- Children are not allowed to carry out the cleaning nor maintenance of the chair.
- The chair may only be used with the supplied power adapter
- The chair may only be powered from a network 220-230 VAC 50 Hz UE; 110-120 VAC 60 Hz USA.



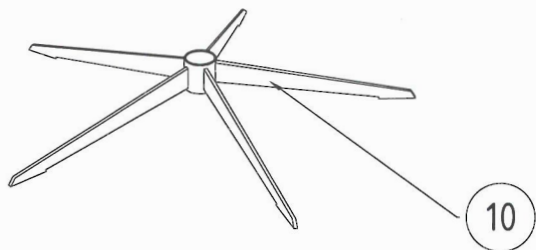
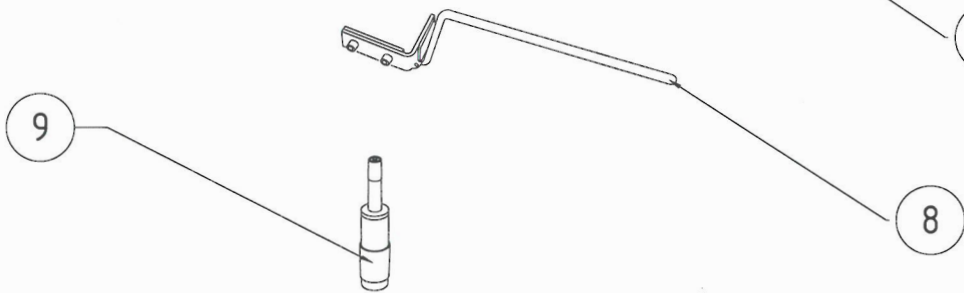
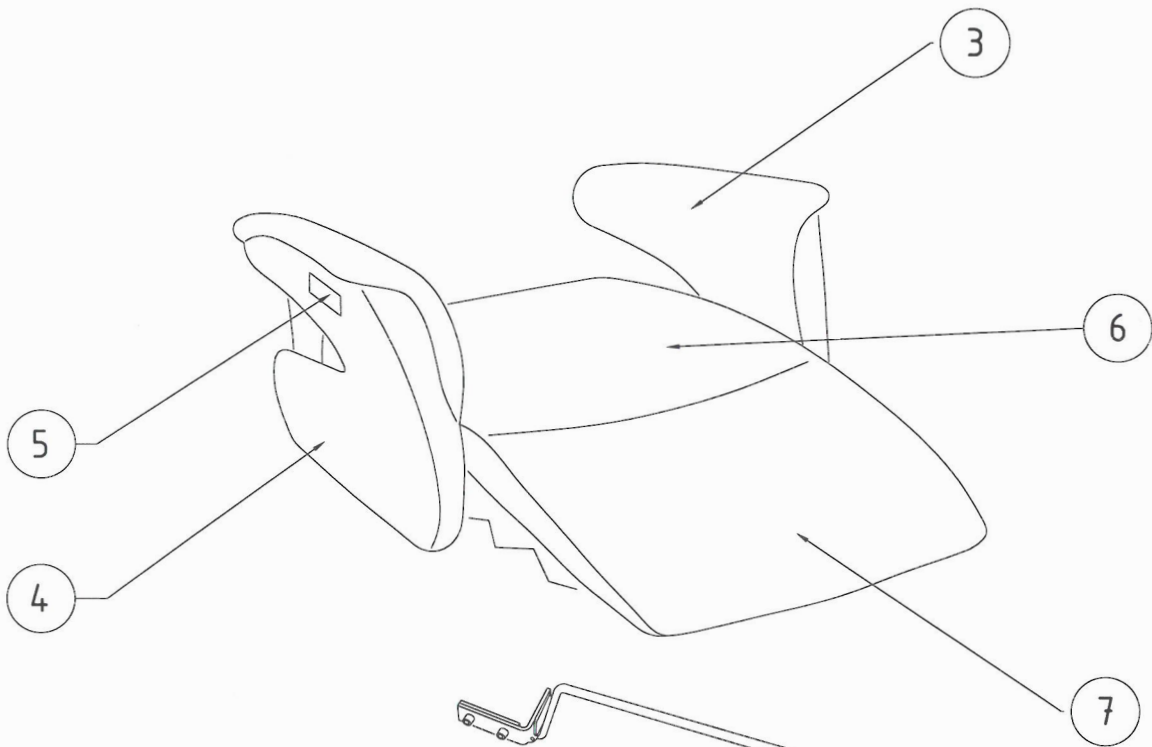
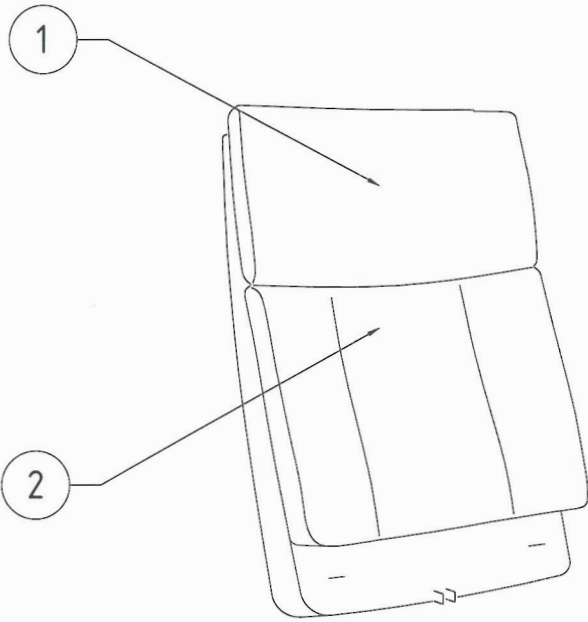
Scan QR code to watch movie on video platform



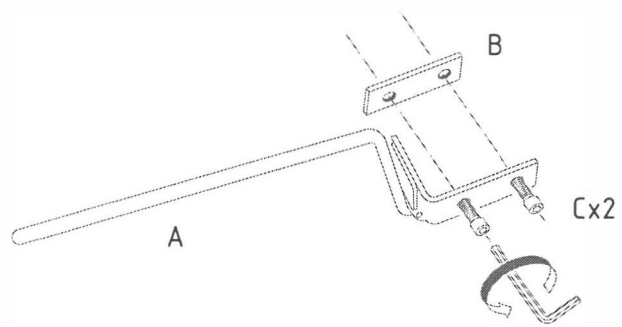
two people

Components of the chair:

1. Headrest
2. Backrest
3. Right armrest
4. Left armrest
5. Control panel
6. Seat
7. Footrest
8. Lever for changing the height
9. Central part
10. Base

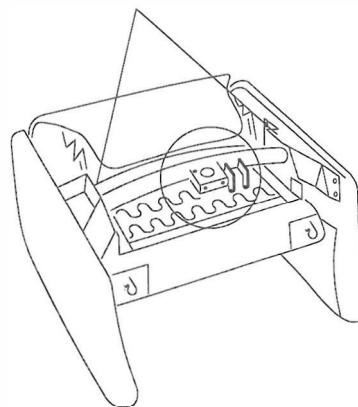


1.1

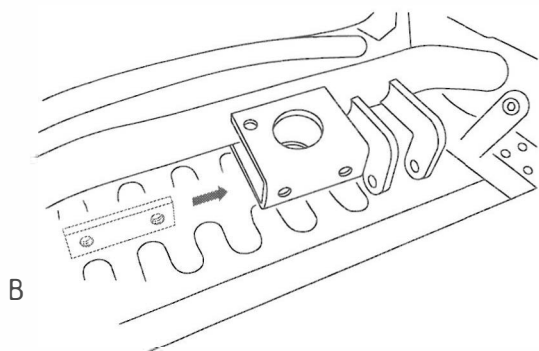


1.2

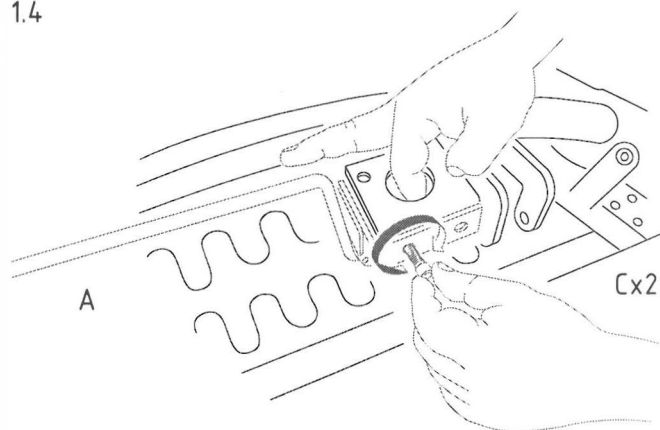
remove the transport protection



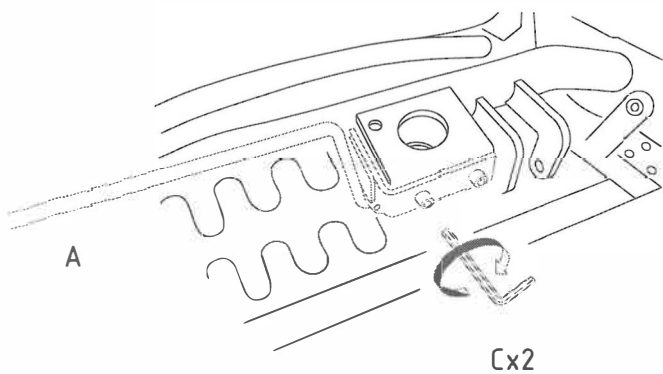
1.3



1.4



1.5



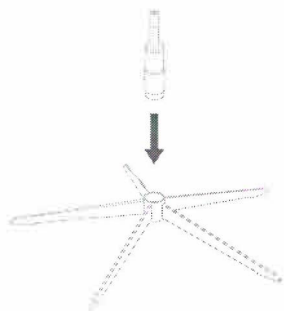
2.1



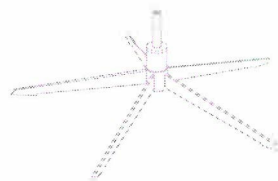
2.2



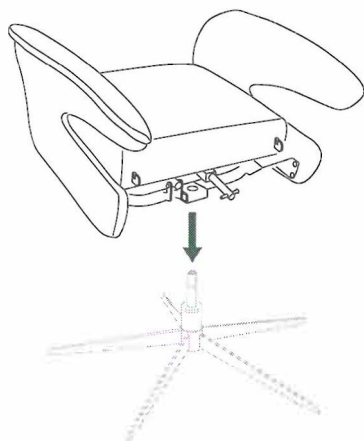
2.3



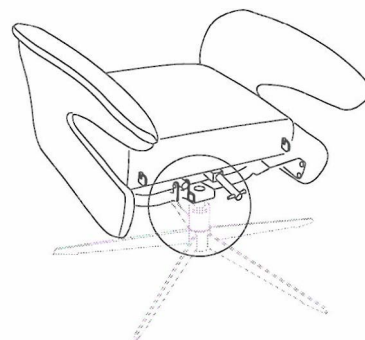
2.4



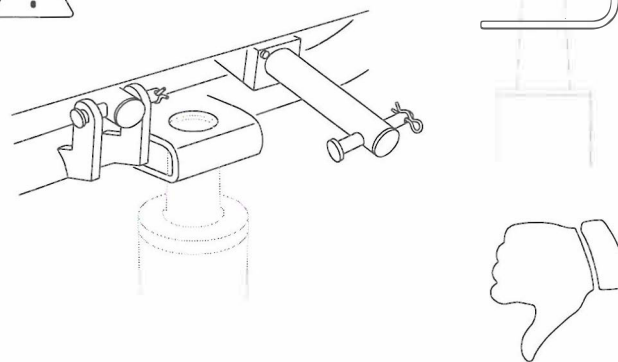
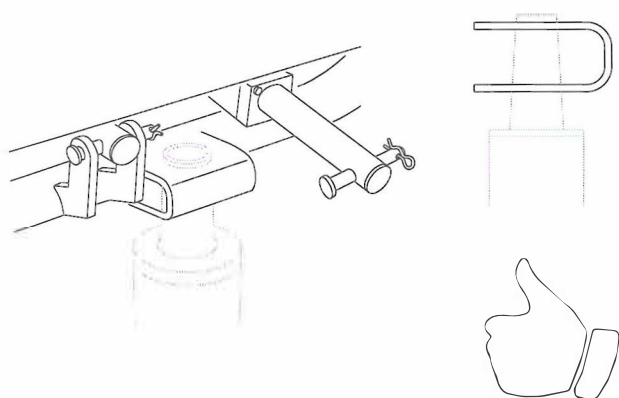
3.1



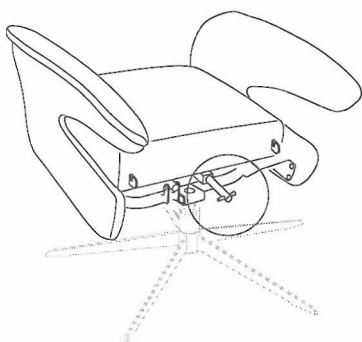
3.2



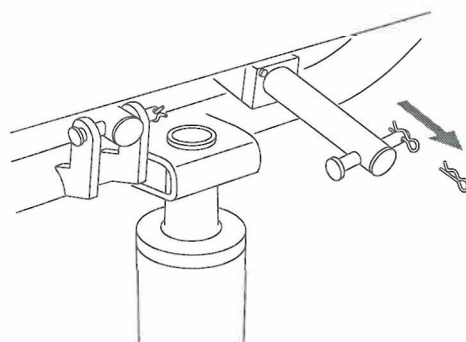
3.3



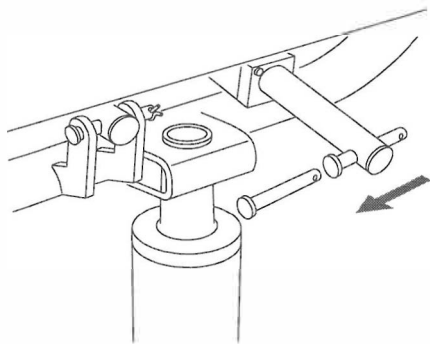
4.1



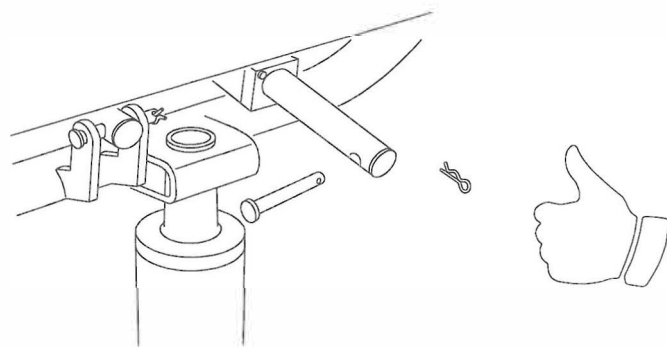
4.2



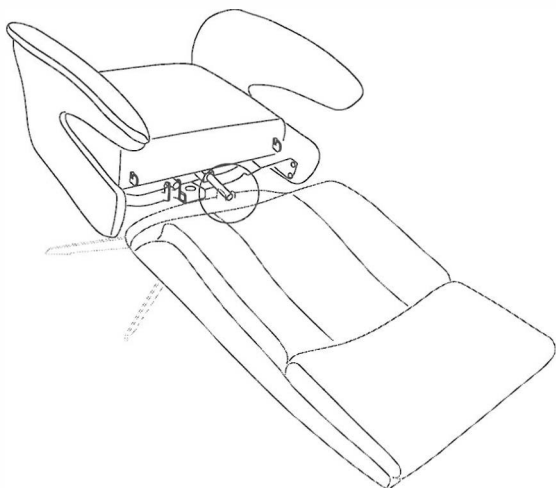
4.3



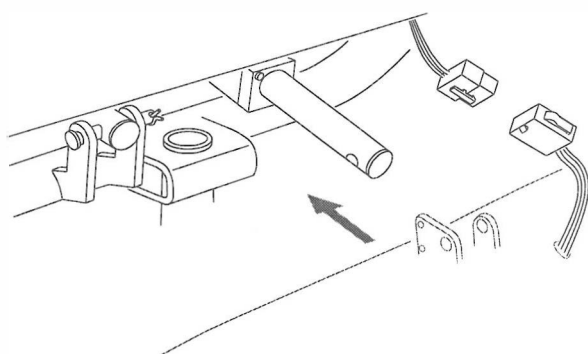
4.4



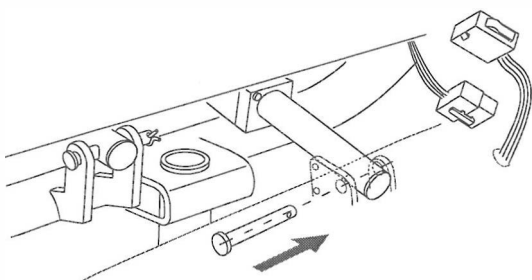
5.1



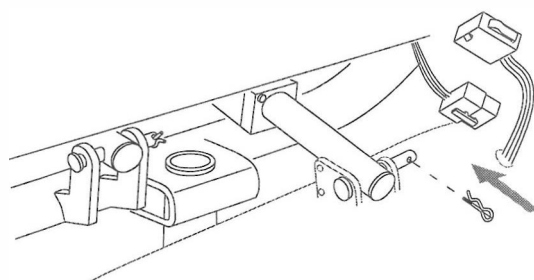
5.2



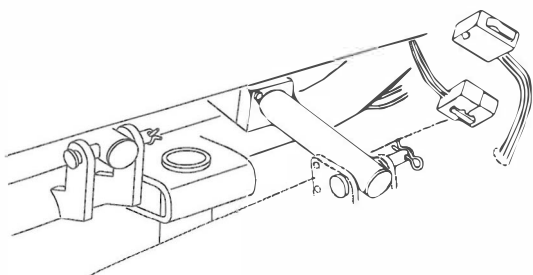
5.3



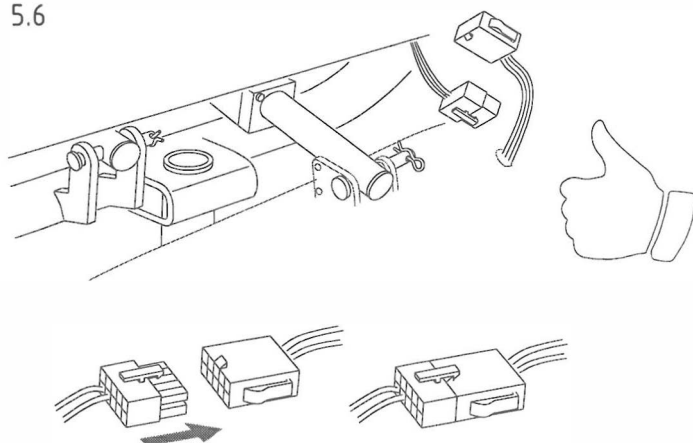
5.4



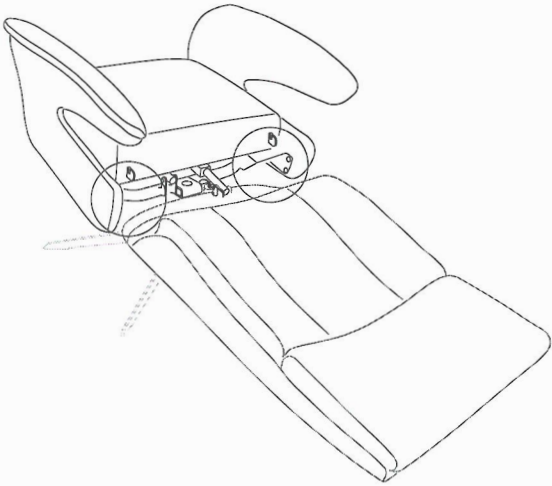
5.5



5.6

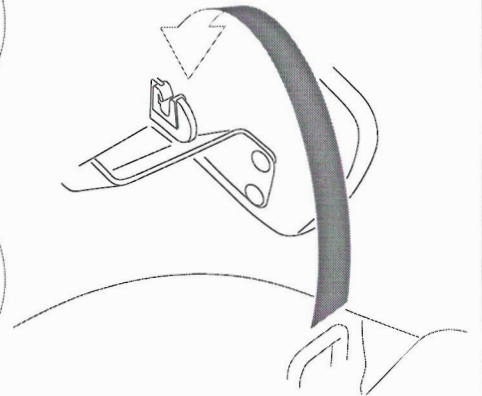
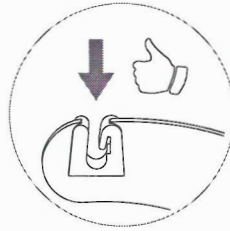
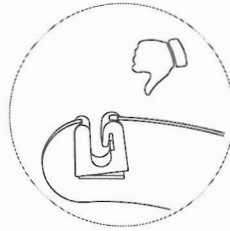


6.1

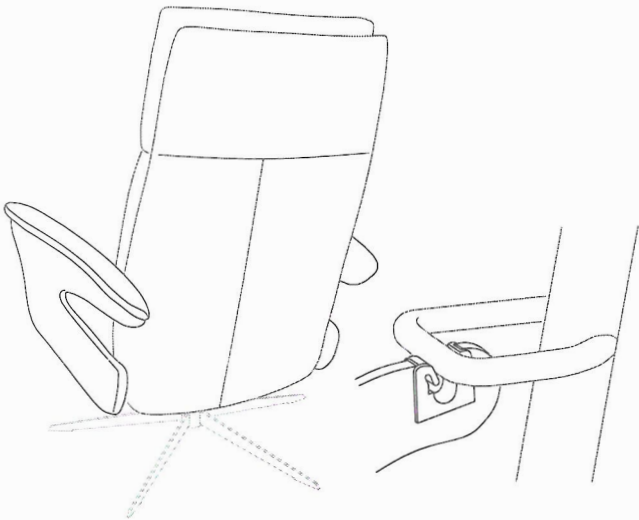


6.2

check if the plastic click is blocked

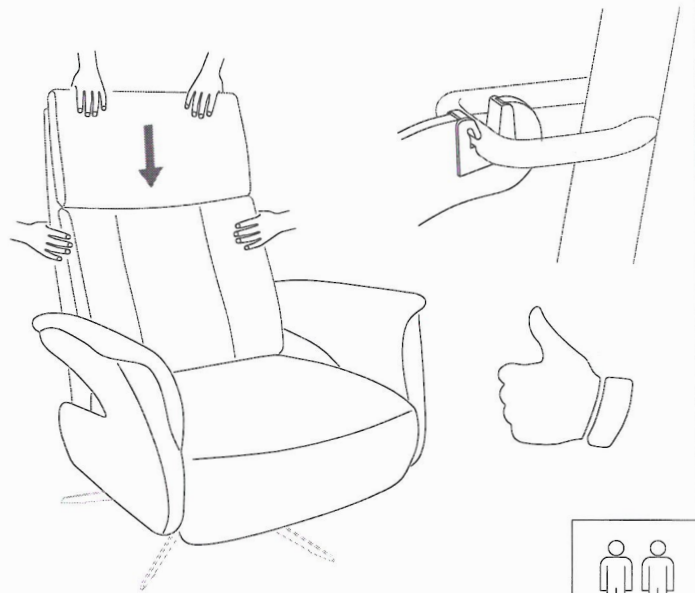


6.3



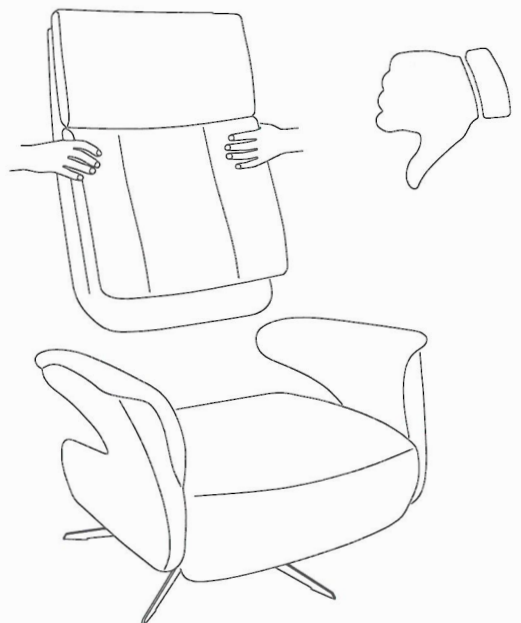
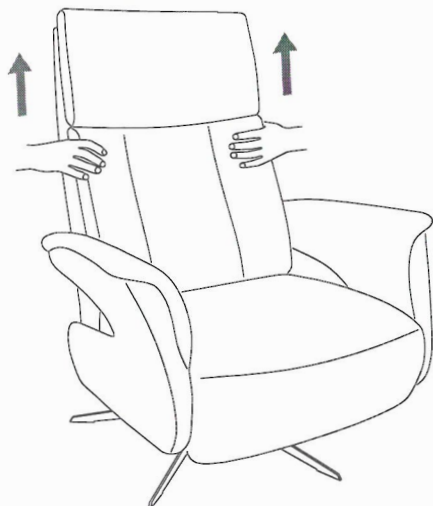
6.4

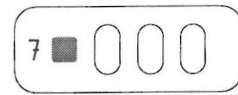
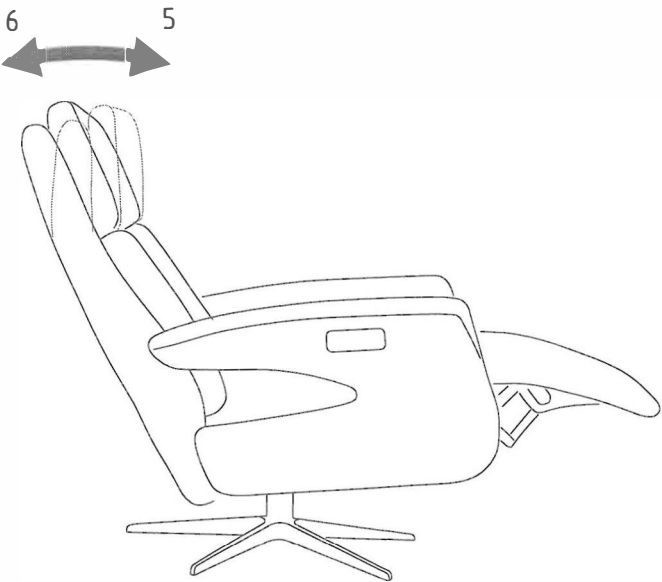
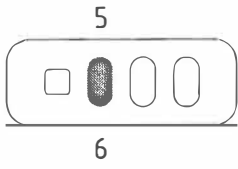
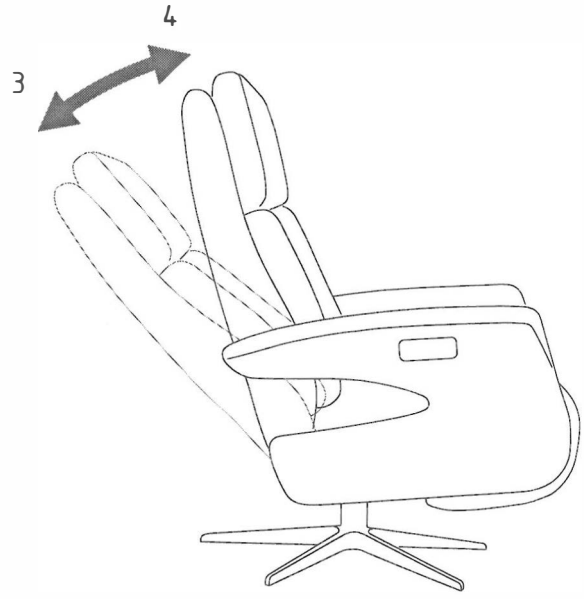
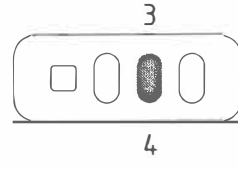
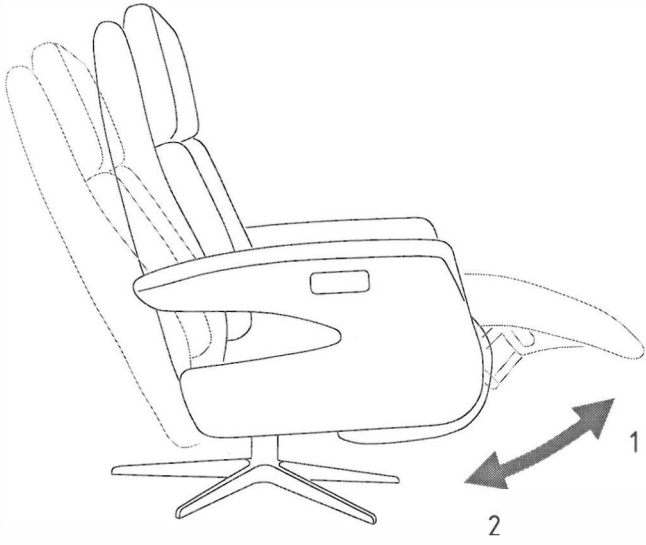
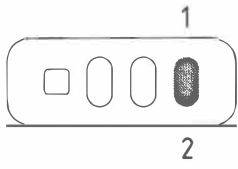
Silent click



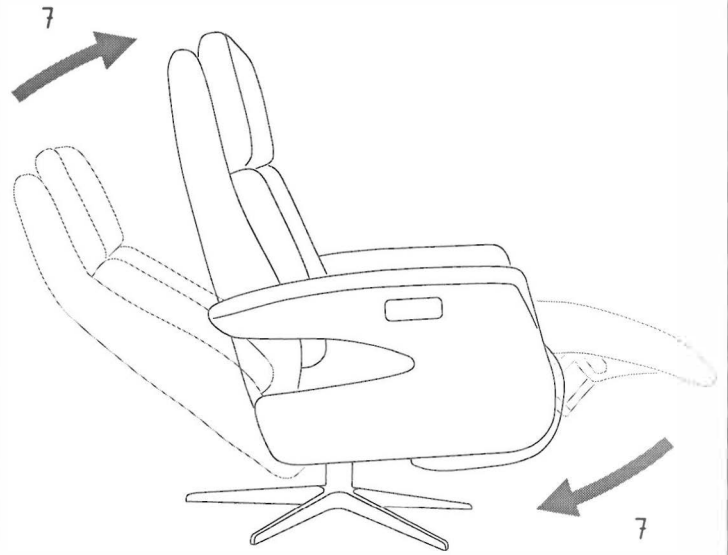
6.5

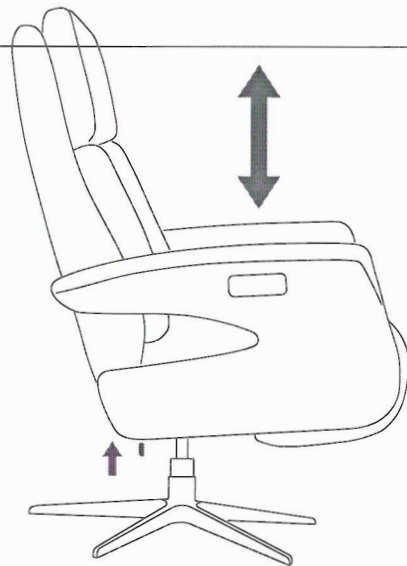
check back is fixed



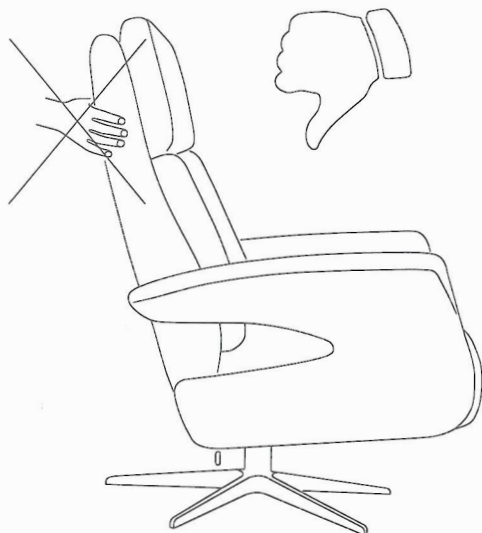


Home button

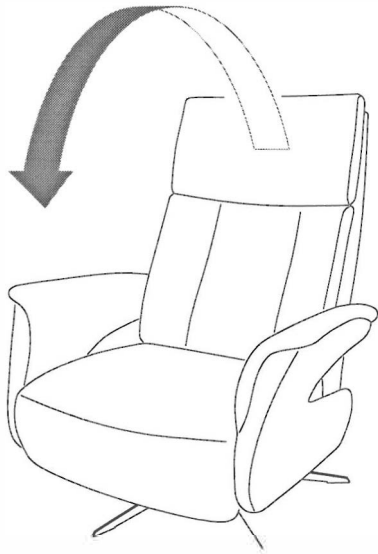




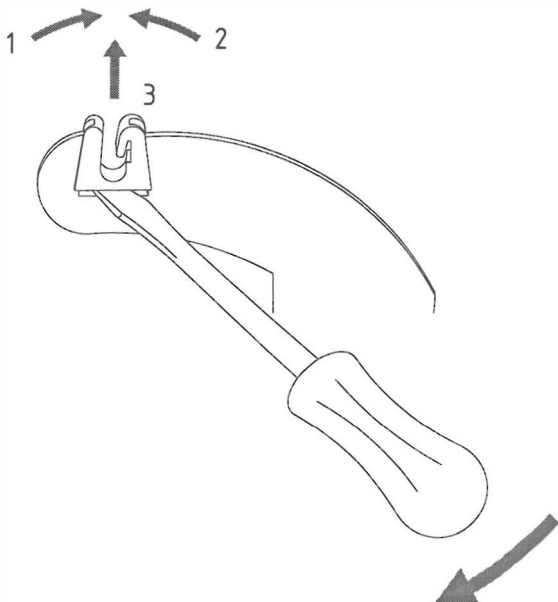
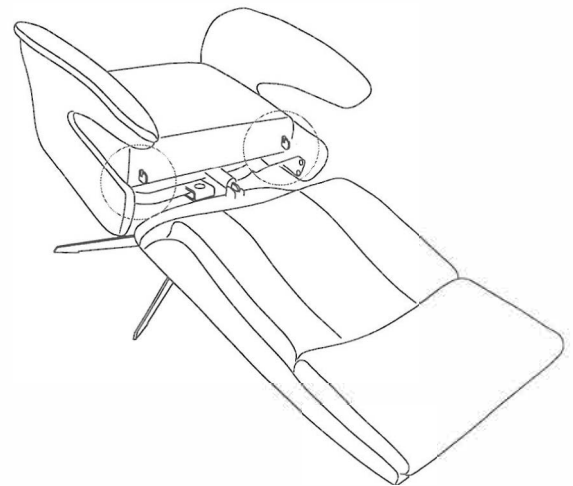
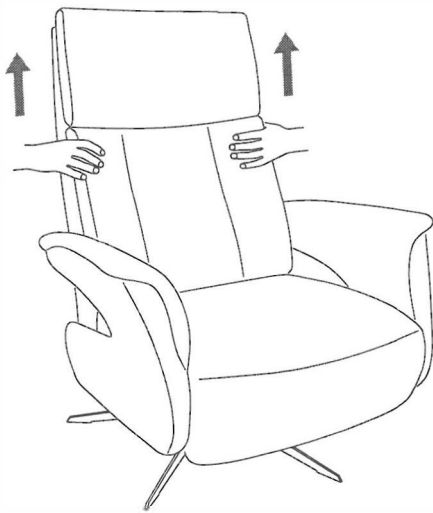
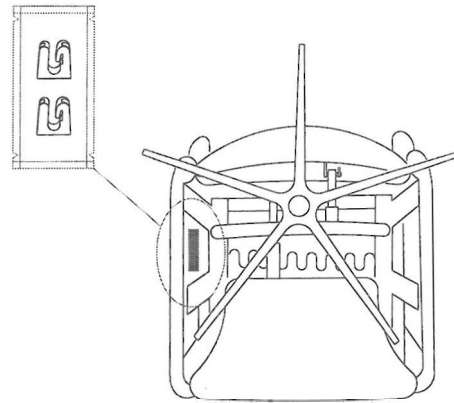
To move the chair, hold the armrests.



Exchange click plastic



bag with new click plastic



new click plastic

