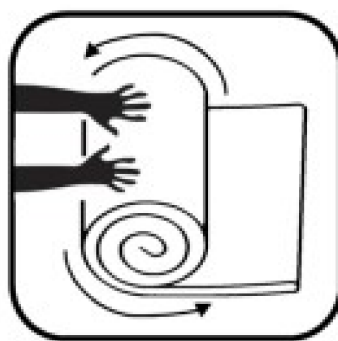
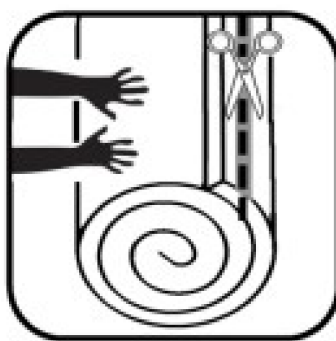
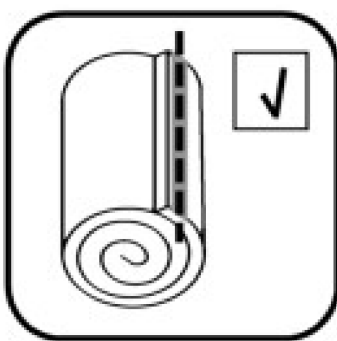
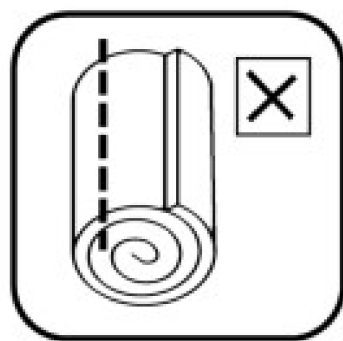
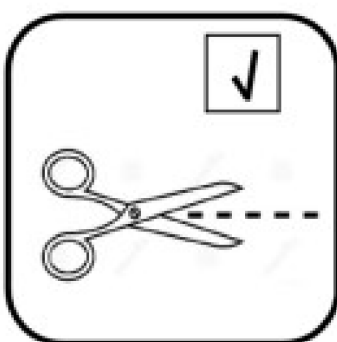
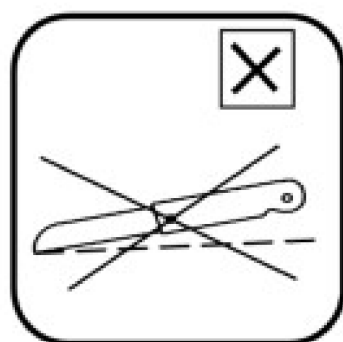
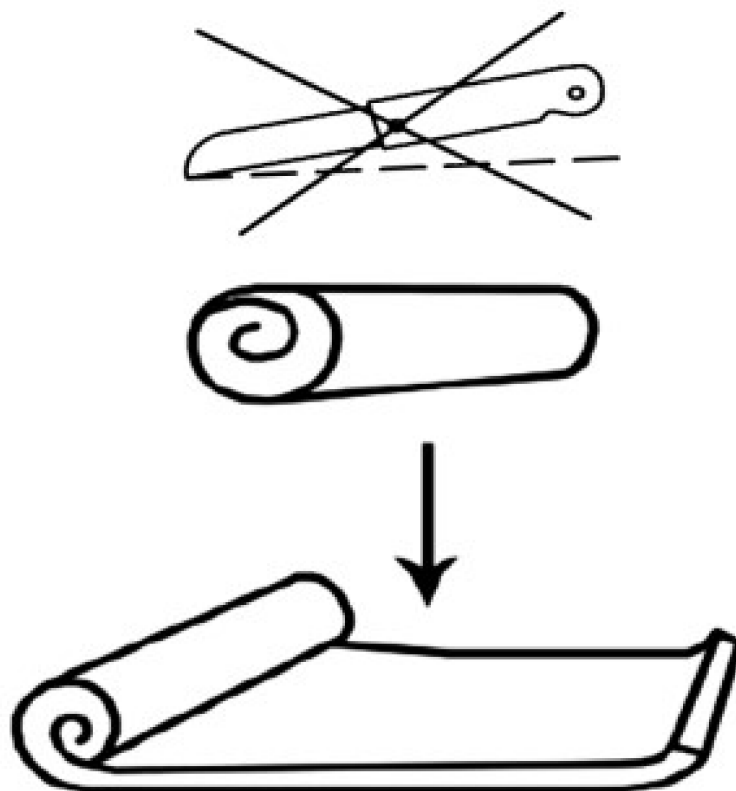
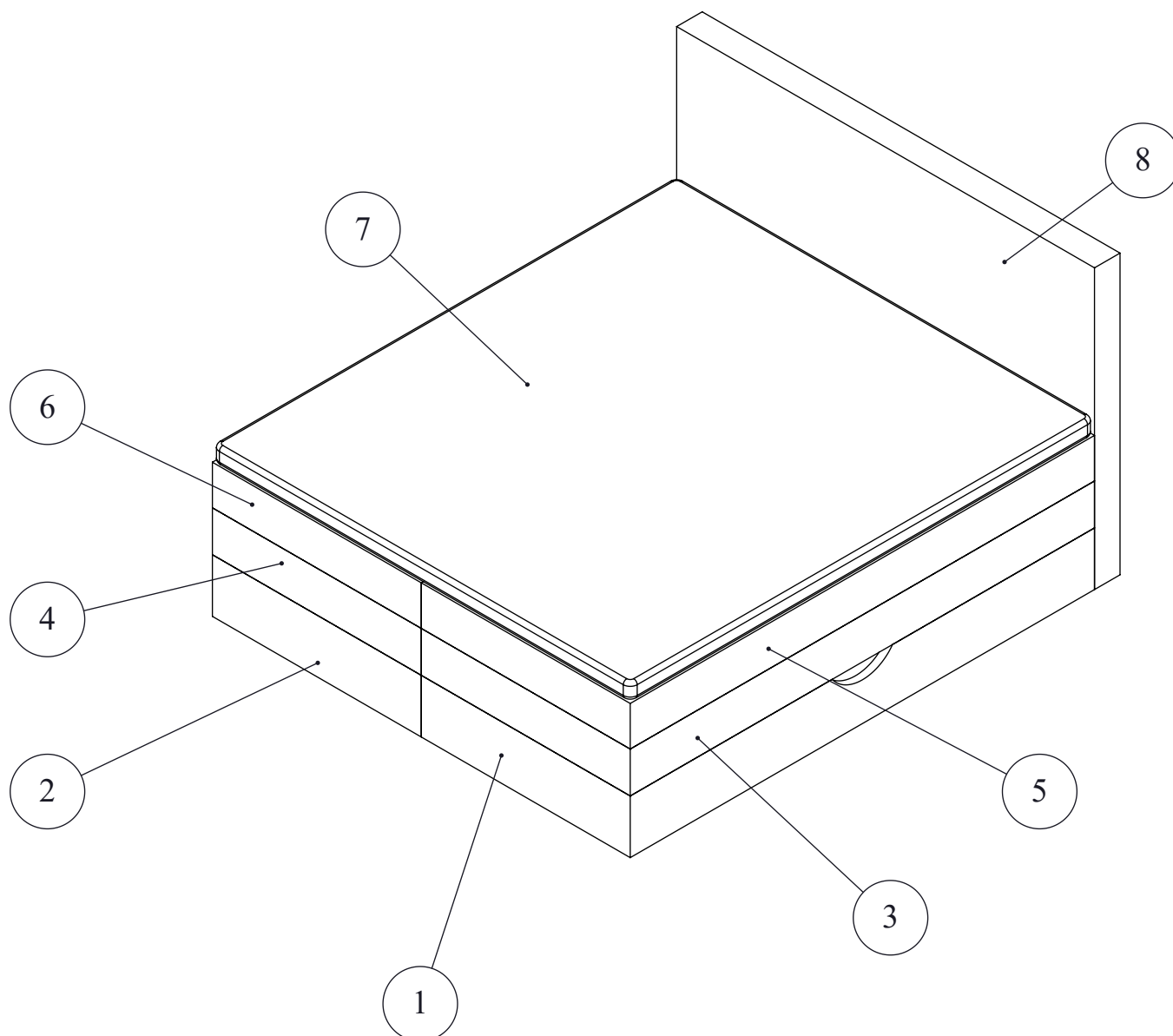
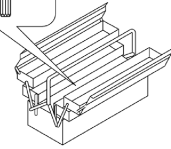
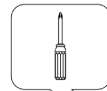
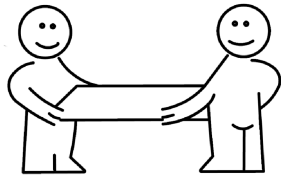


ORLANDO

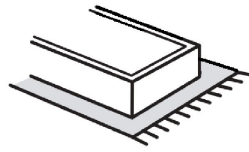


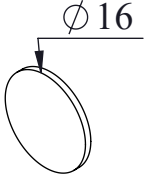
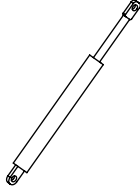
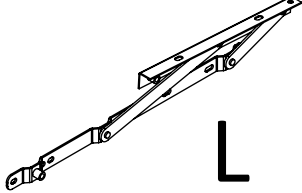
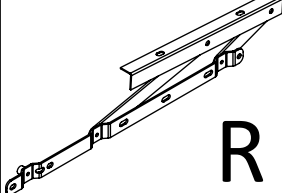

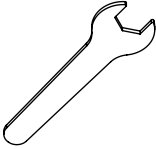
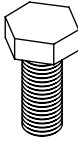
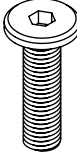
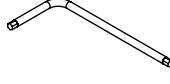
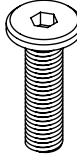




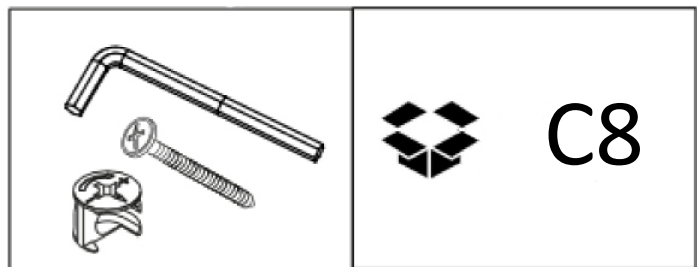
Article number	PSC	Package
1	x1	C1
2	x1	C2
3	x1	C3
4	x1	C4
5	x1	C5
6	x1	C6
7	x1	C7
8	x1	C8

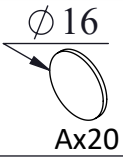


60min

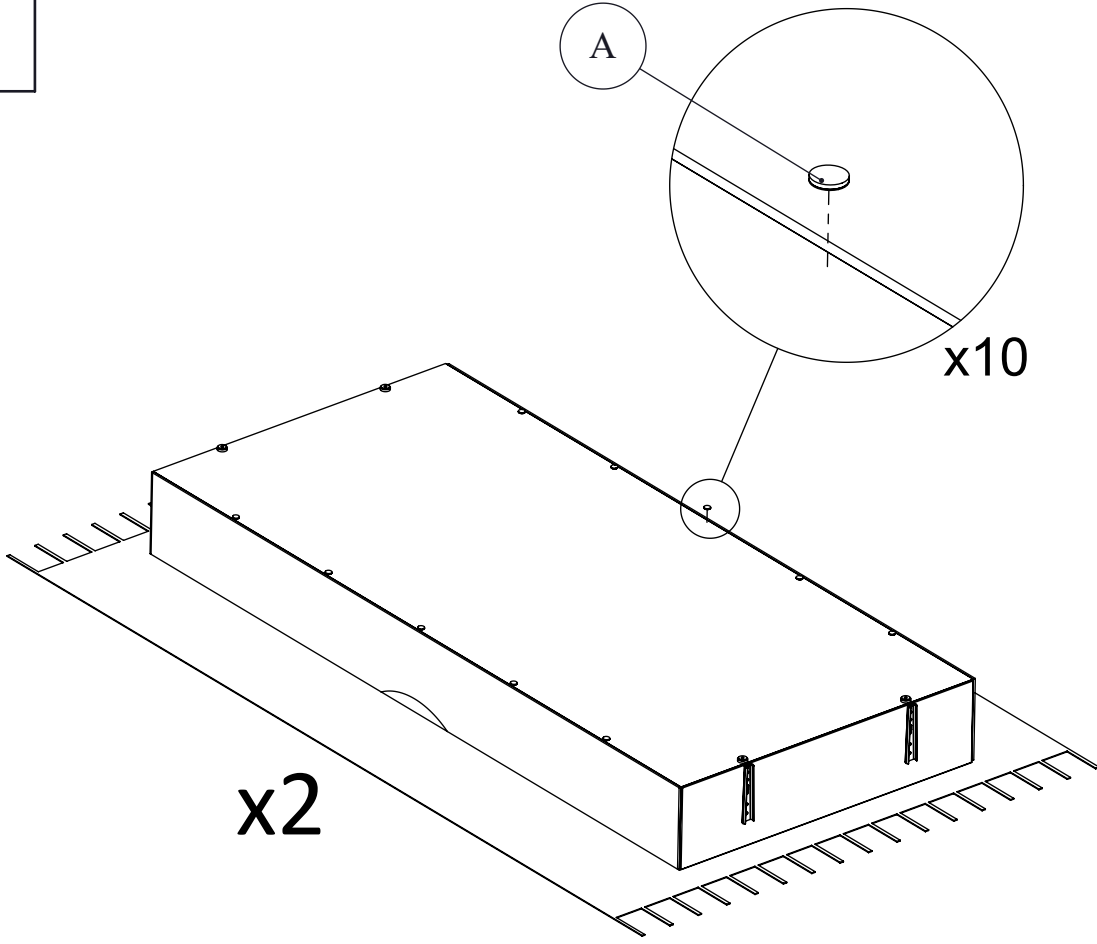


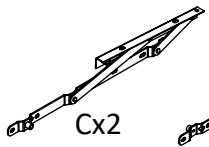
		 <p style="text-align: center;">L</p>	 <p style="text-align: center;">R</p>	 <p style="text-align: center;">M8x60</p>
<p>Ax20 (C8)</p>	<p>Bx4 (C8)</p>	<p>Cx2 (C8)</p>	<p>Dx2 (C8)</p>	<p>Ex8 (C8)</p>
 <p style="text-align: center;">#13</p>	 <p style="text-align: center;">M8x16</p>	 <p style="text-align: center;">M8x30</p>	 <p style="text-align: center;">#5</p>	 <p style="text-align: center;">M8x60</p>
<p>Fx1 (C8)</p>	<p>Gx8 (C8)</p>	<p>Hx16 (C8)</p>	<p>Ix1 (C8)</p>	<p>Jx1 (C8)</p>
 <p style="text-align: center;">M8</p>				
<p>Kx9 (C8)</p>	<p>Lx2 (C8)</p>			



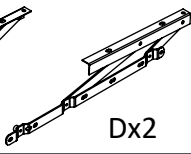


1





Cx2



Dx2

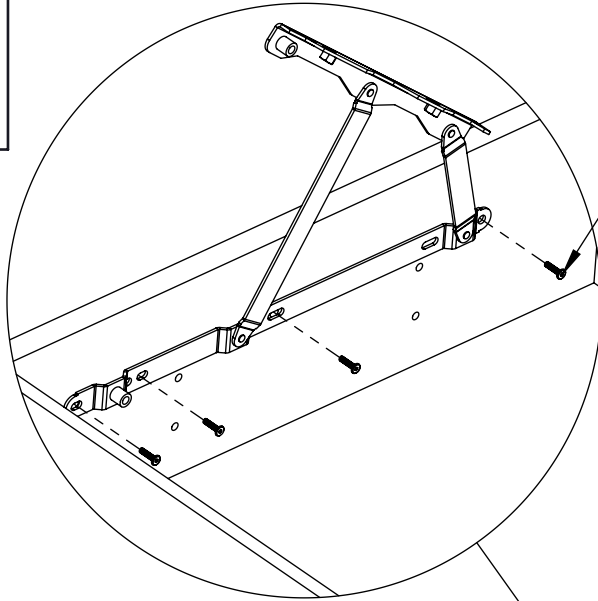


Hx16
M8x30

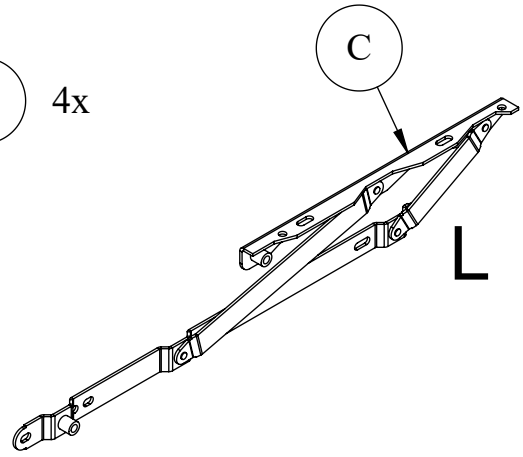


lx1 #5

2

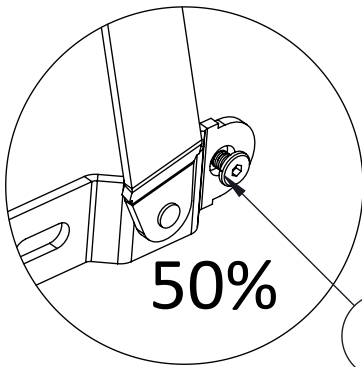


H 4x



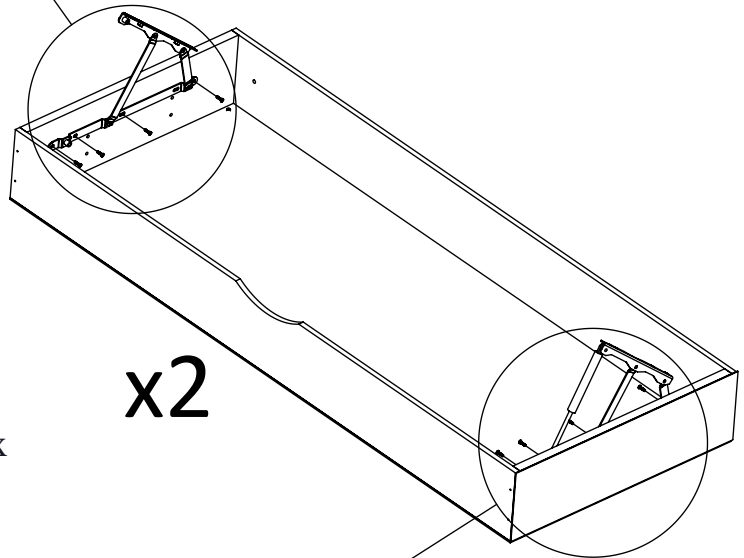
C

L

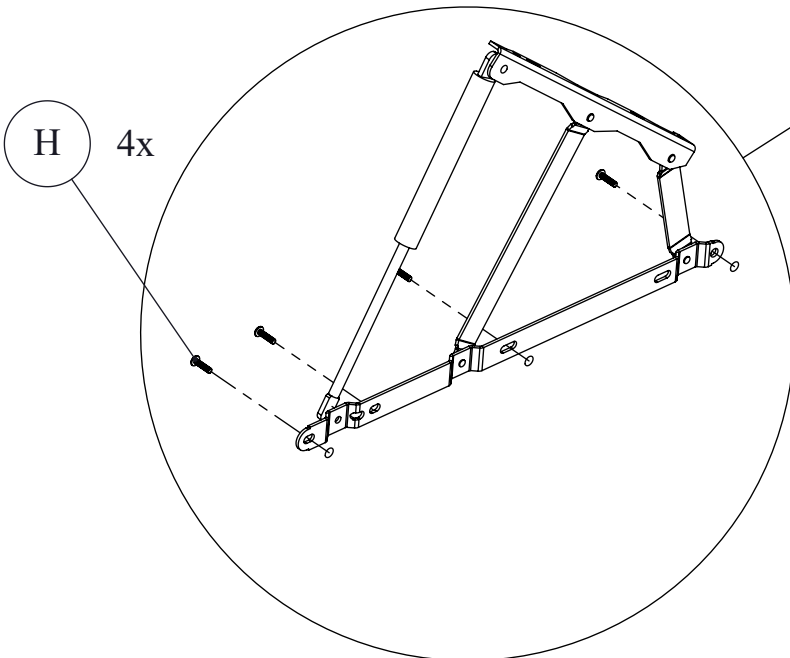


50%

H 16x

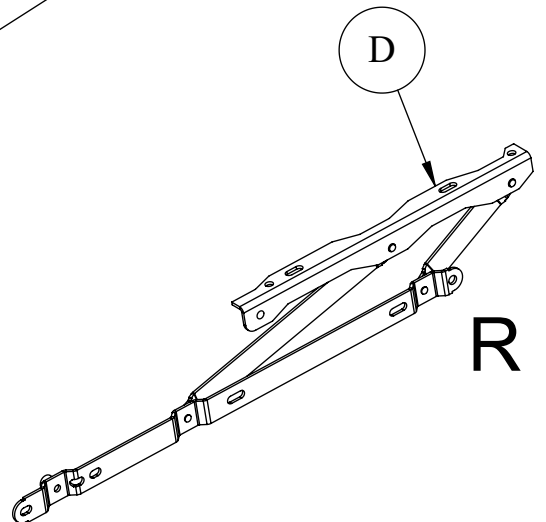


x2



H 4x

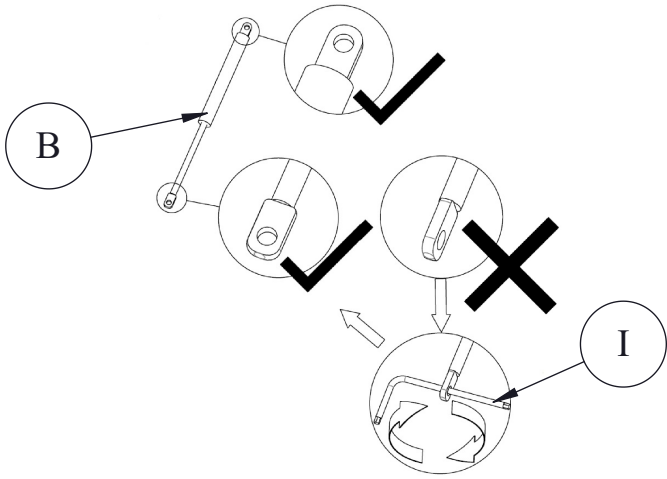
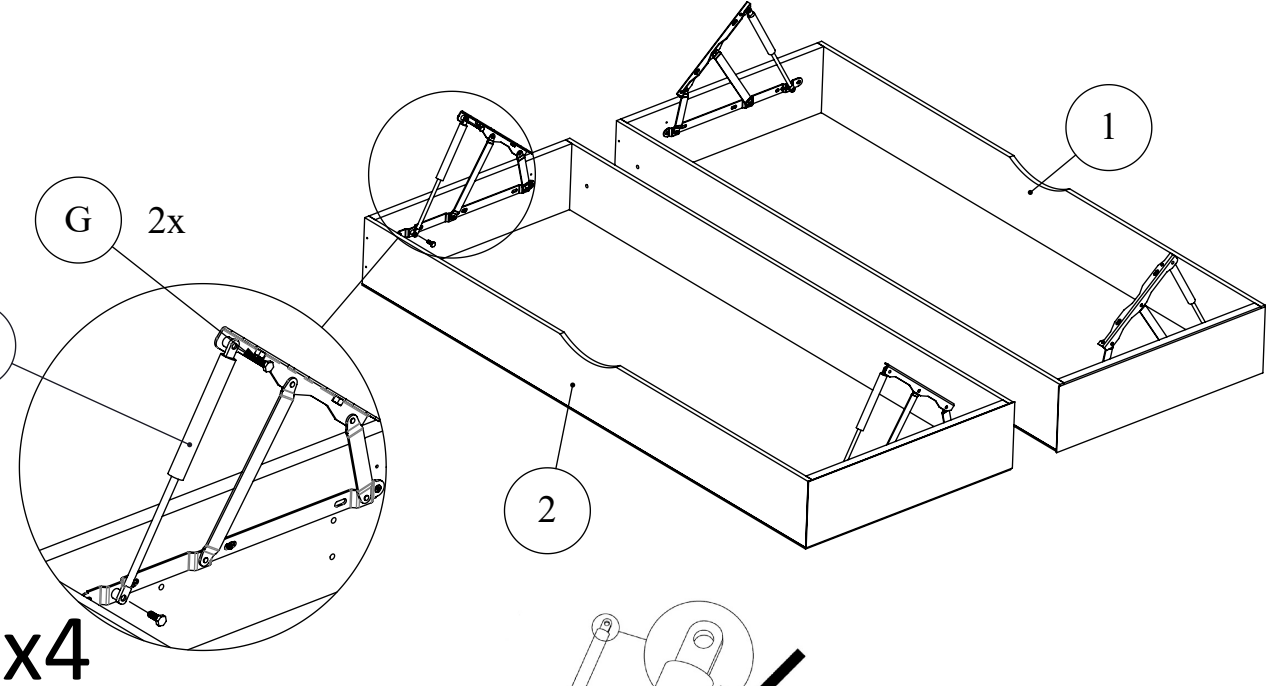
D



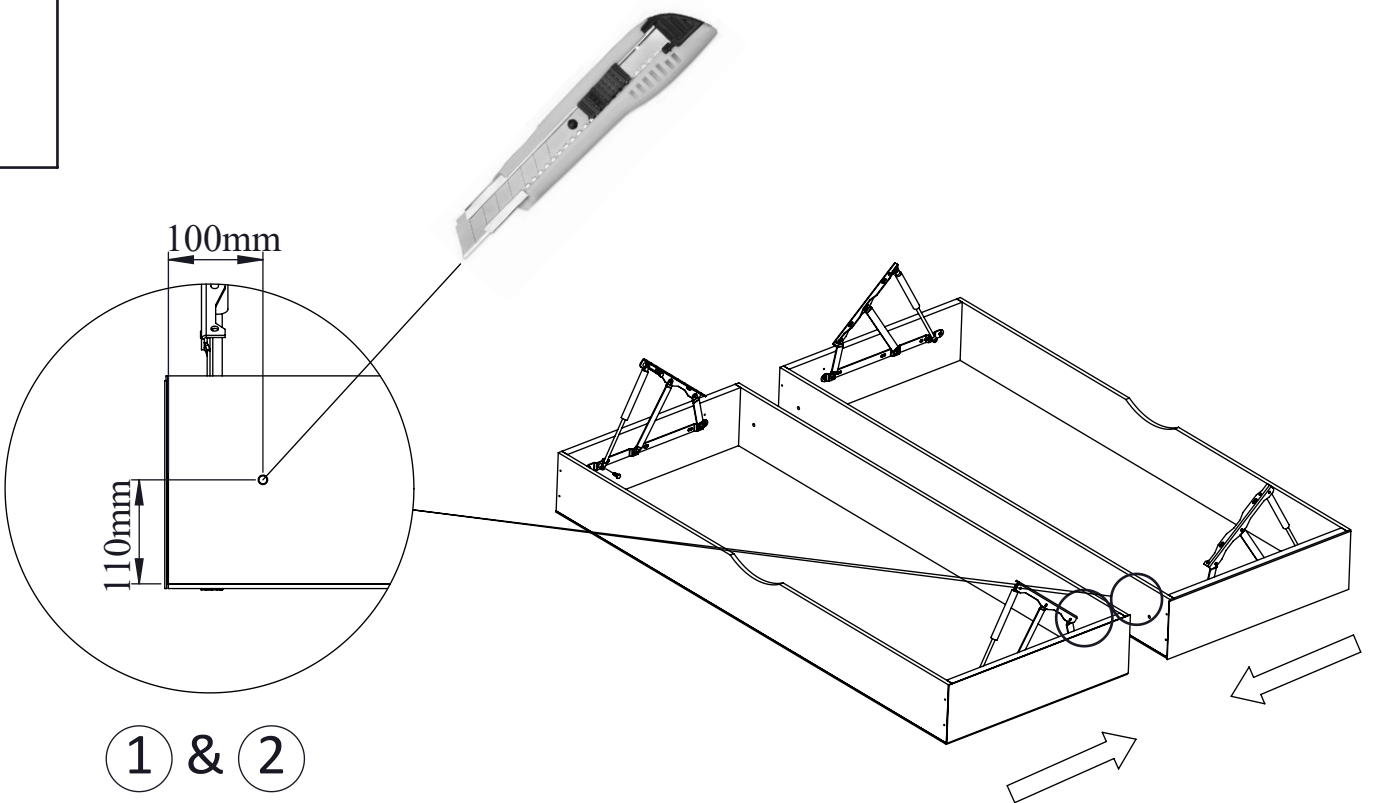
R

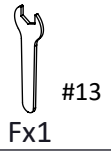


3

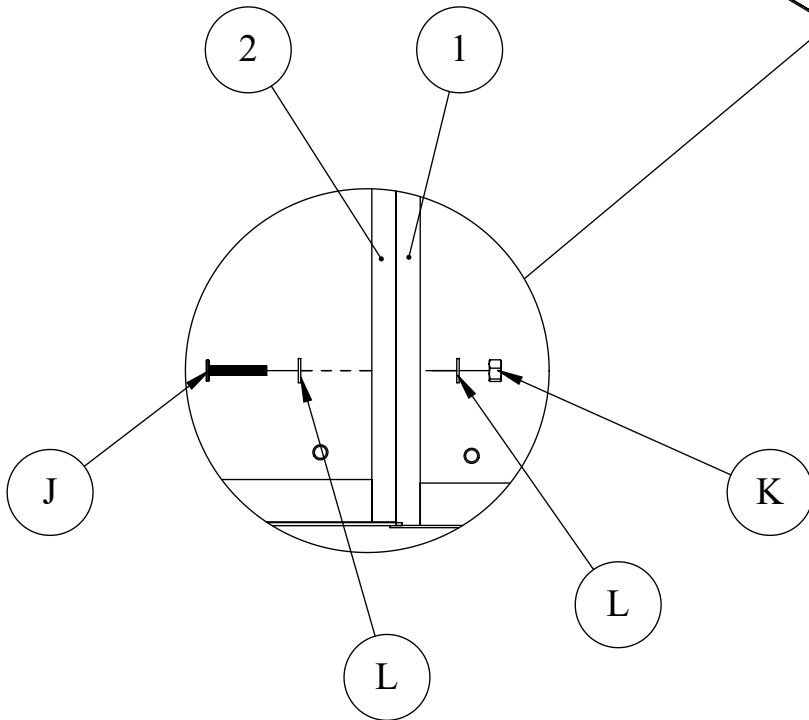
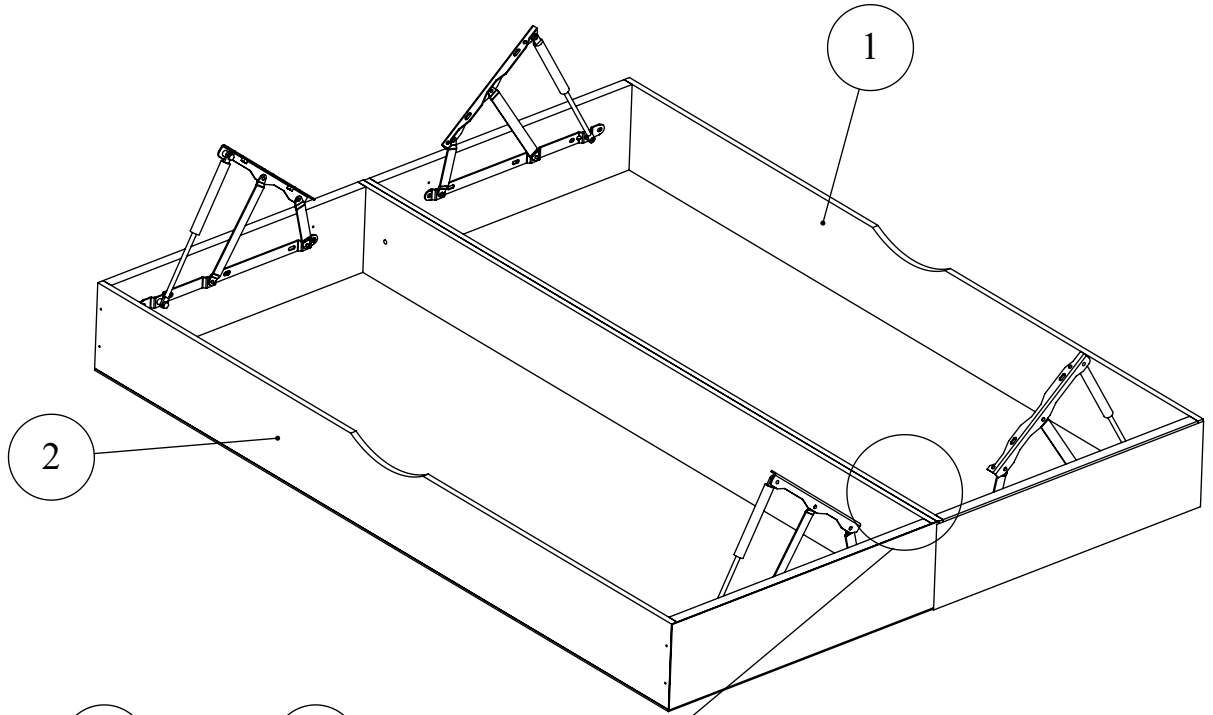


4



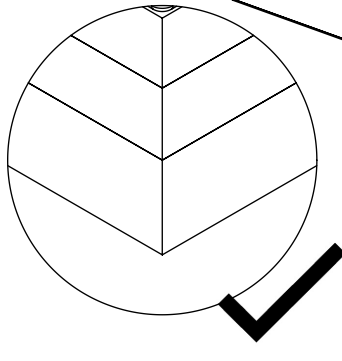
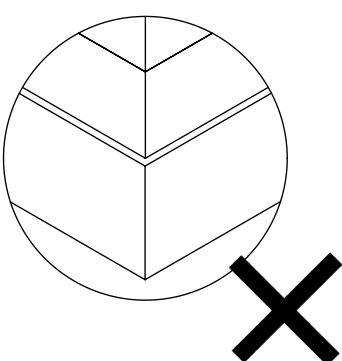
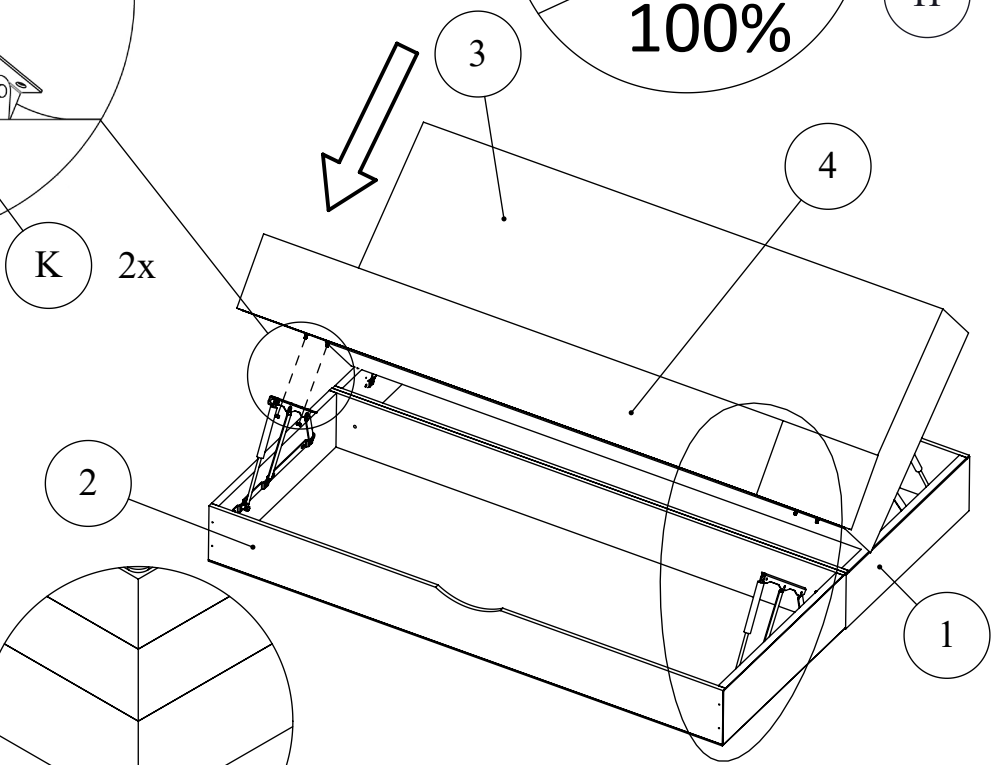
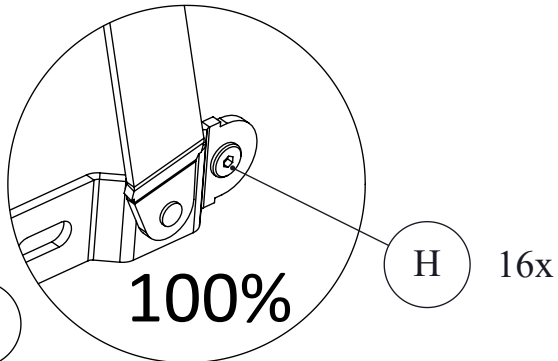
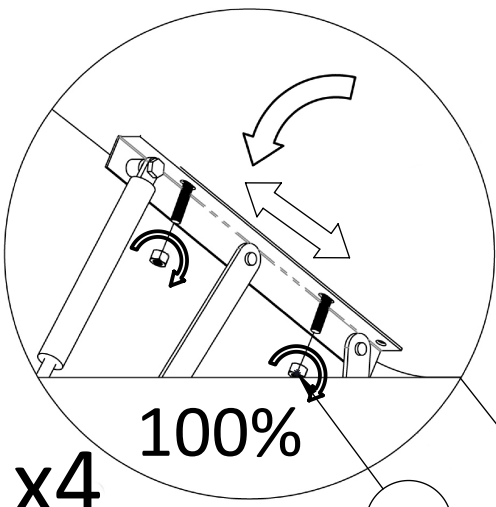
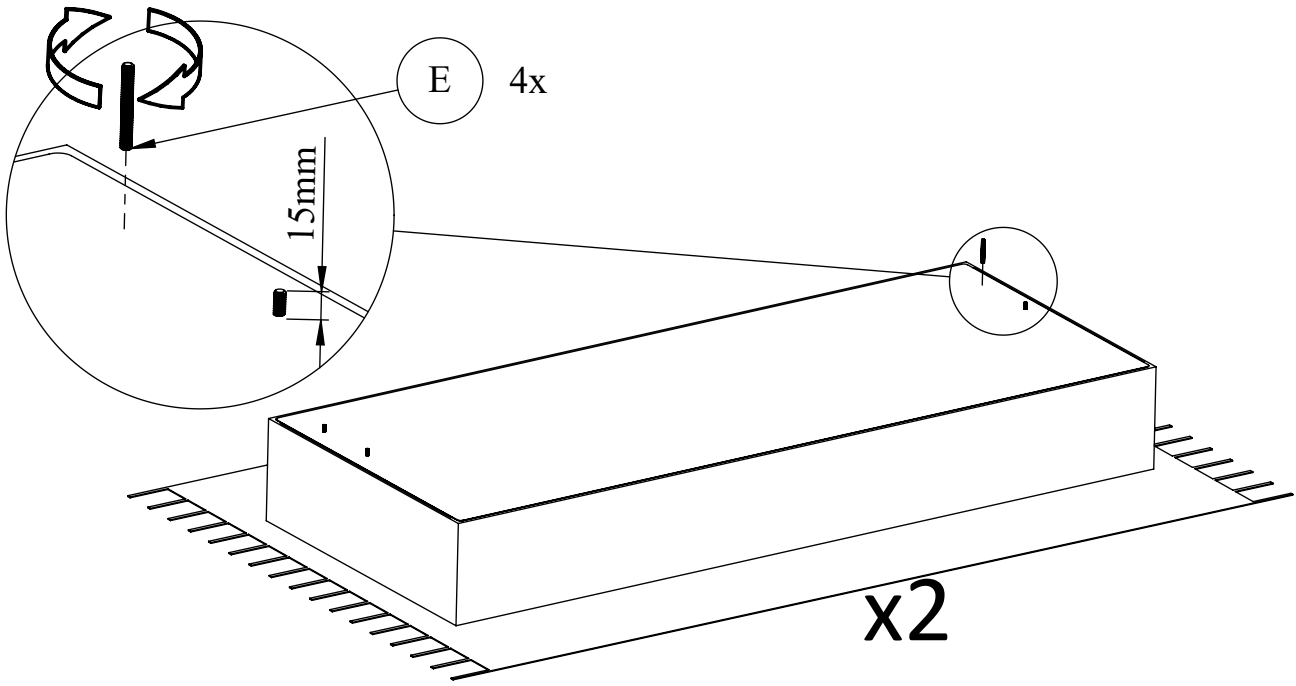


5

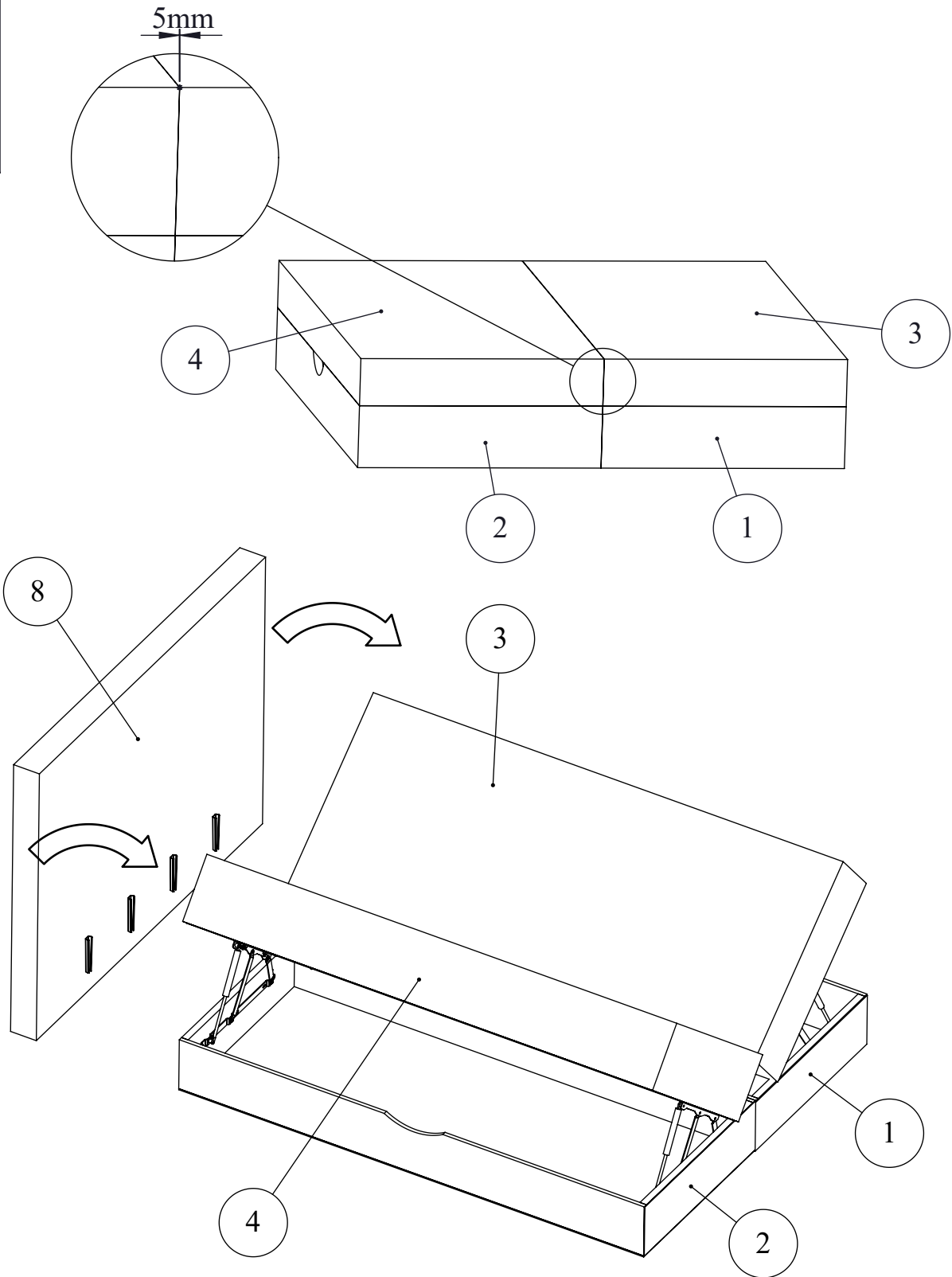


 Ex8	M8x60	 Kx8	M8	 Fx1	#13	 Ix1	#5
--	--------------	--	-----------	---	-----	---	----

6



7



8

