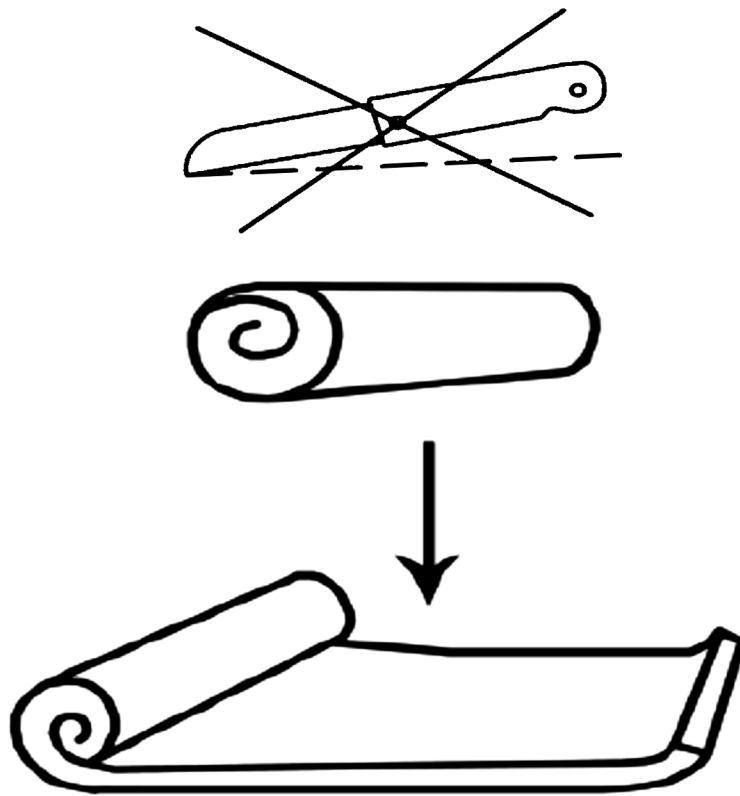
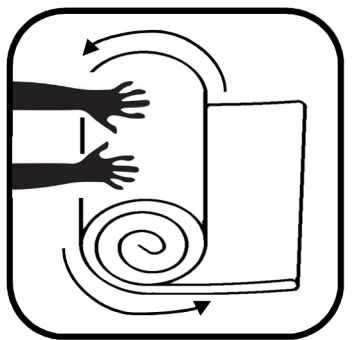
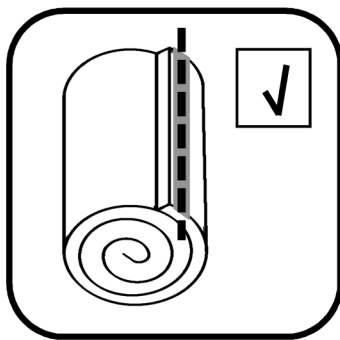
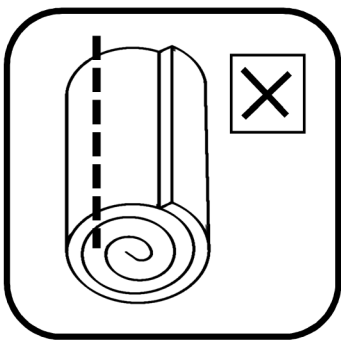
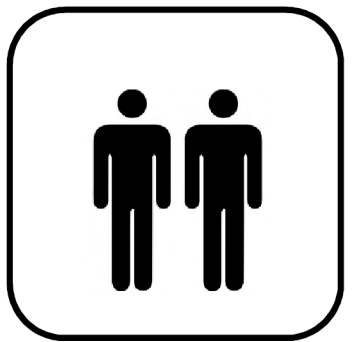
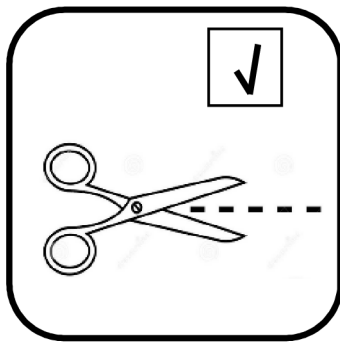
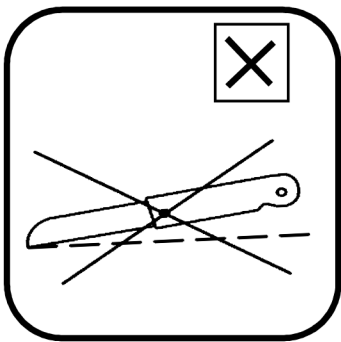
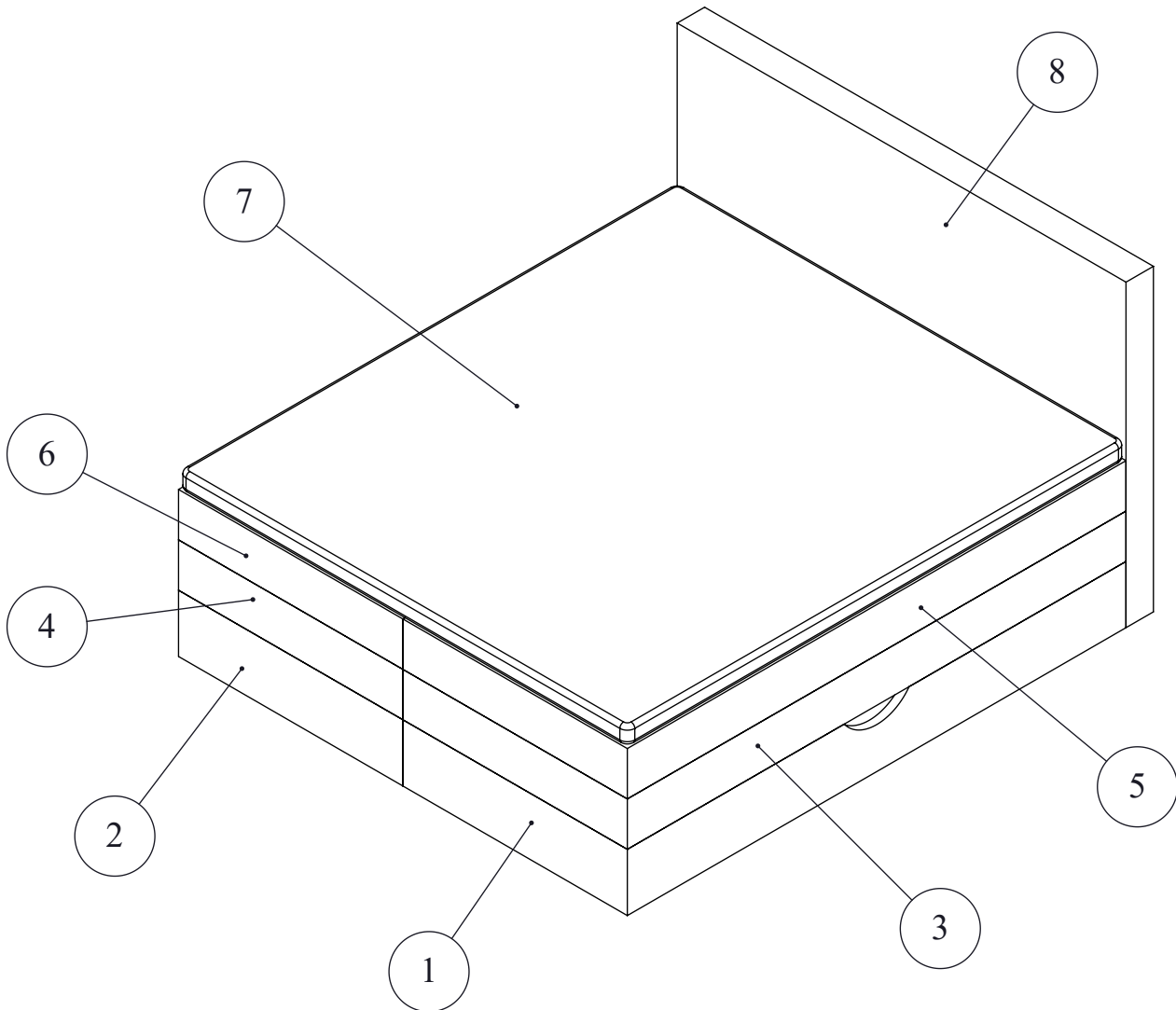


***ORLANDO***

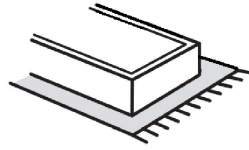
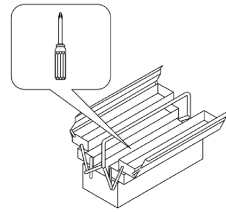
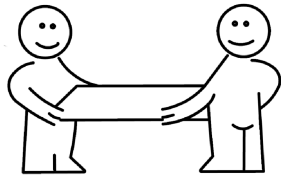


✓ 72h


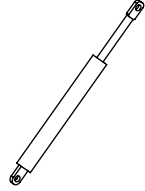
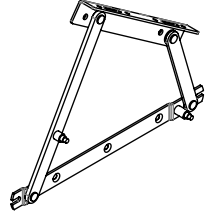
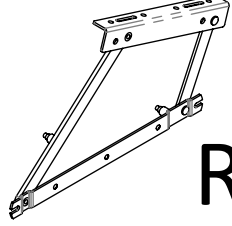
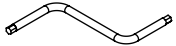

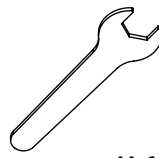
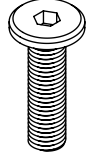
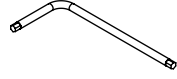
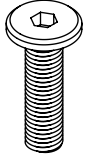
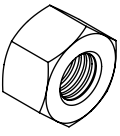

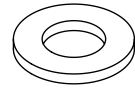
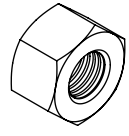
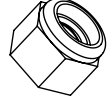


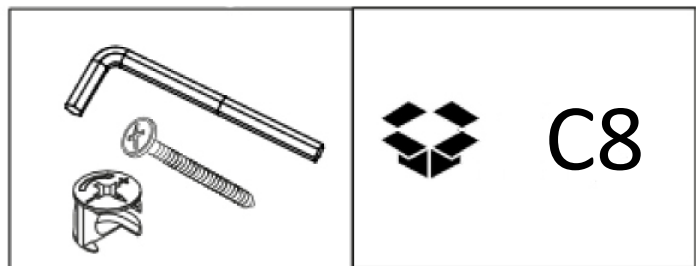


Article number	PSC	Package
1	x1	C1
2	x1	C2
3	x1	C3
4	x1	C4
5	x1	C5
6	X1	C6
7	x1	C7
8	x1	C8



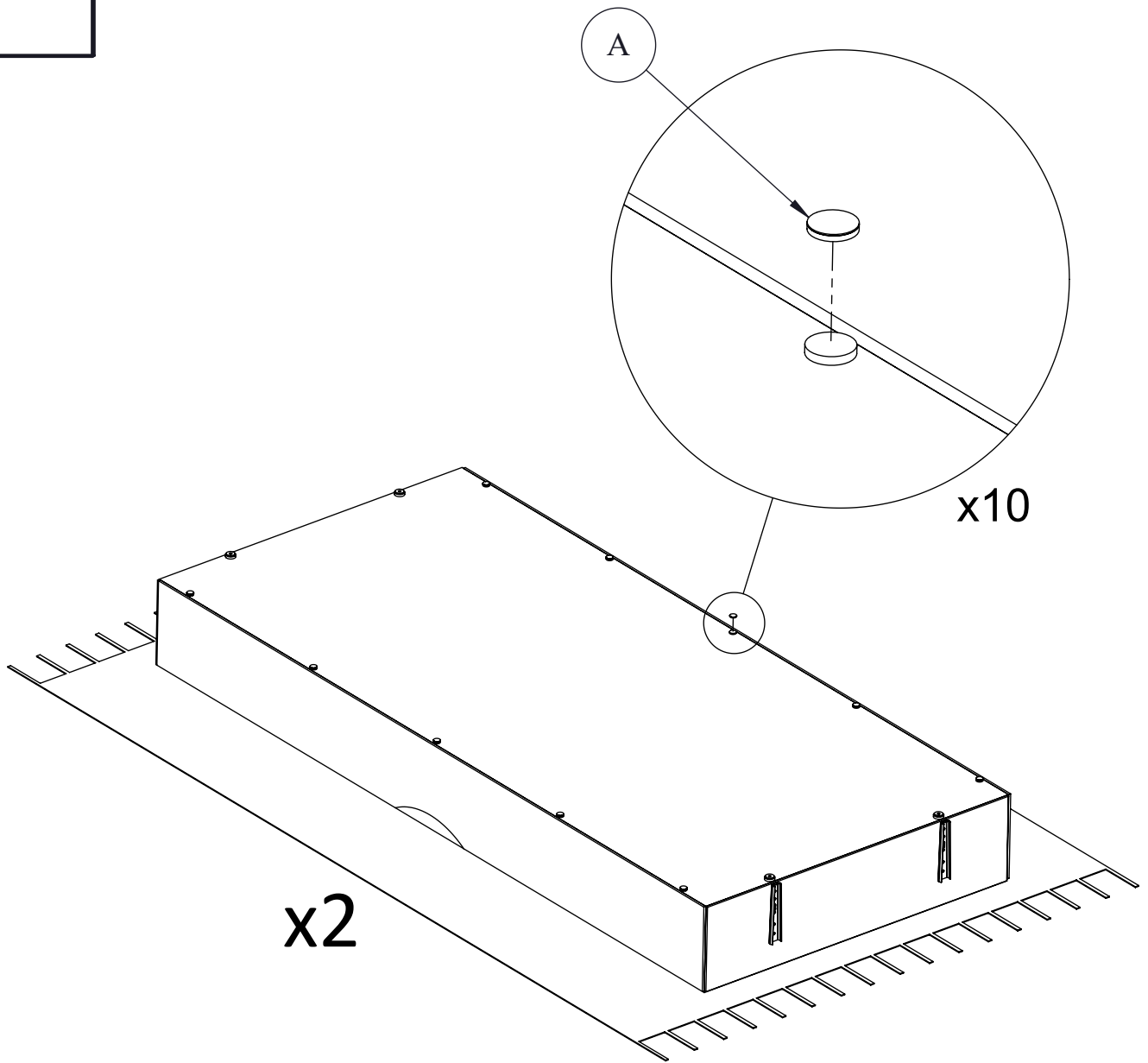
60min

		 L	 R	 #4
Ax20 (C8)	Bx4 (C8)	Cx2 (C8)	Dx2 (C8)	Ex1 (C8)
 #13	 #10	 M6x30	 #5	 M8x60
Fx1 (C8)	Gx1 (C8)	Hx20 (C8)	Ix1 (C8)	Jx1 (C8)
 M6	 M6x70		 M8	 M6
Kx8 (C8)	Lx8 (C8)	Mx2 (C8)	Nx1 (C8)	Px8 (C8)



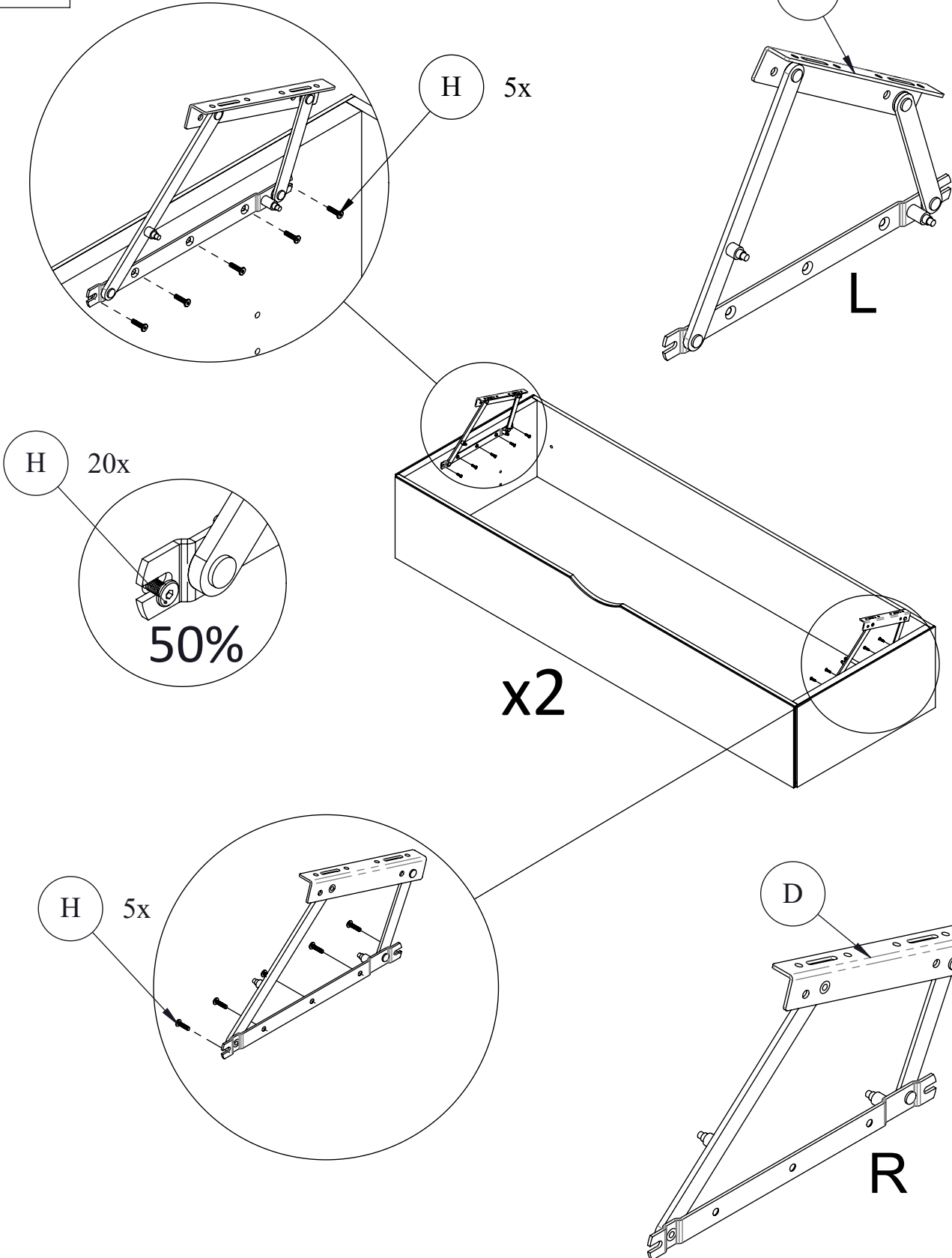
<p><math>\varnothing 16</math></p>  <p>Ax20</p>	
--	--

1



 Cx2	 Dx2	 M6x30 Hx20	 #4 Ex1
---	---	---	--

2





Bx4



Px8

M6



Gx1

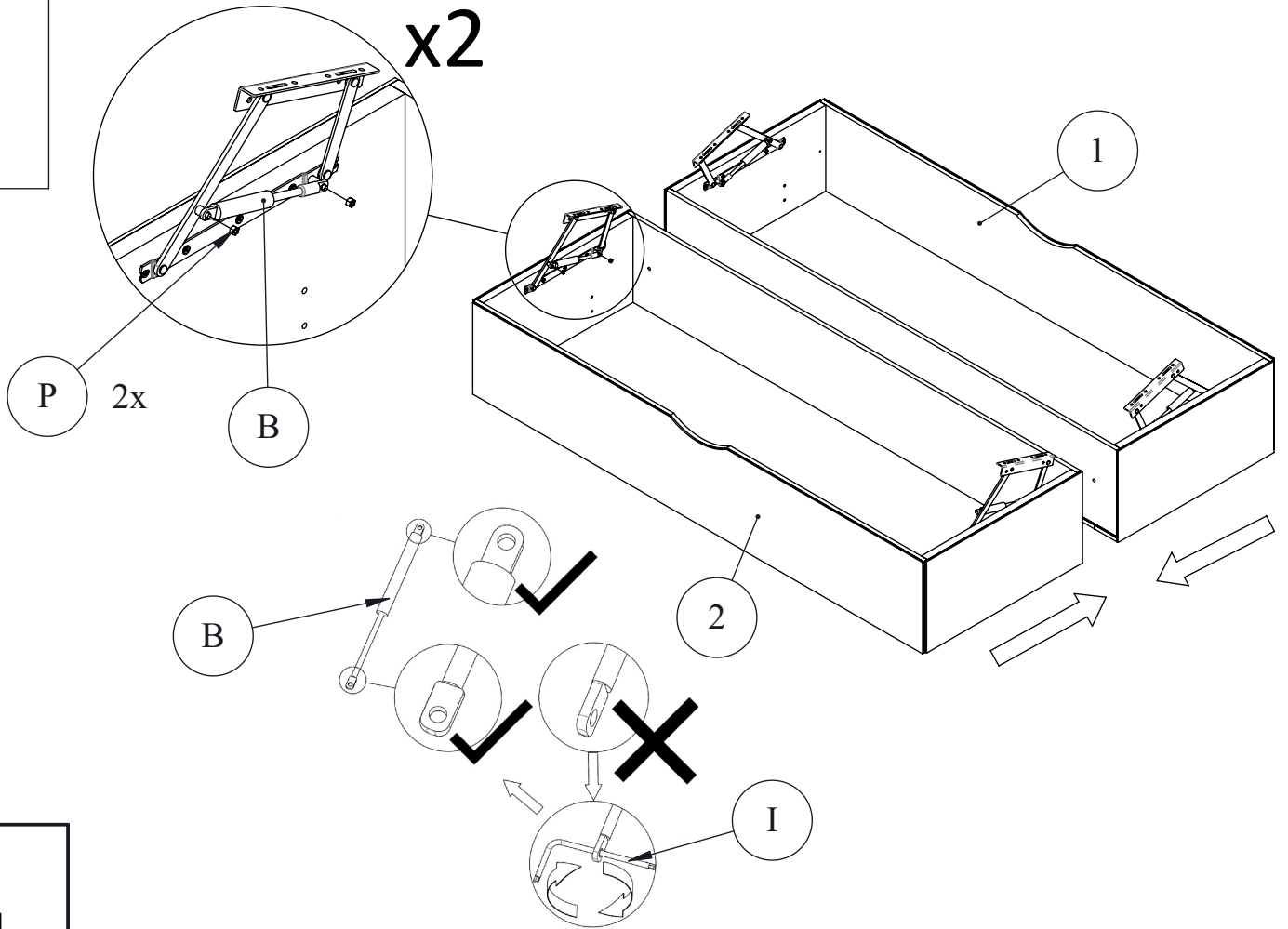
#10



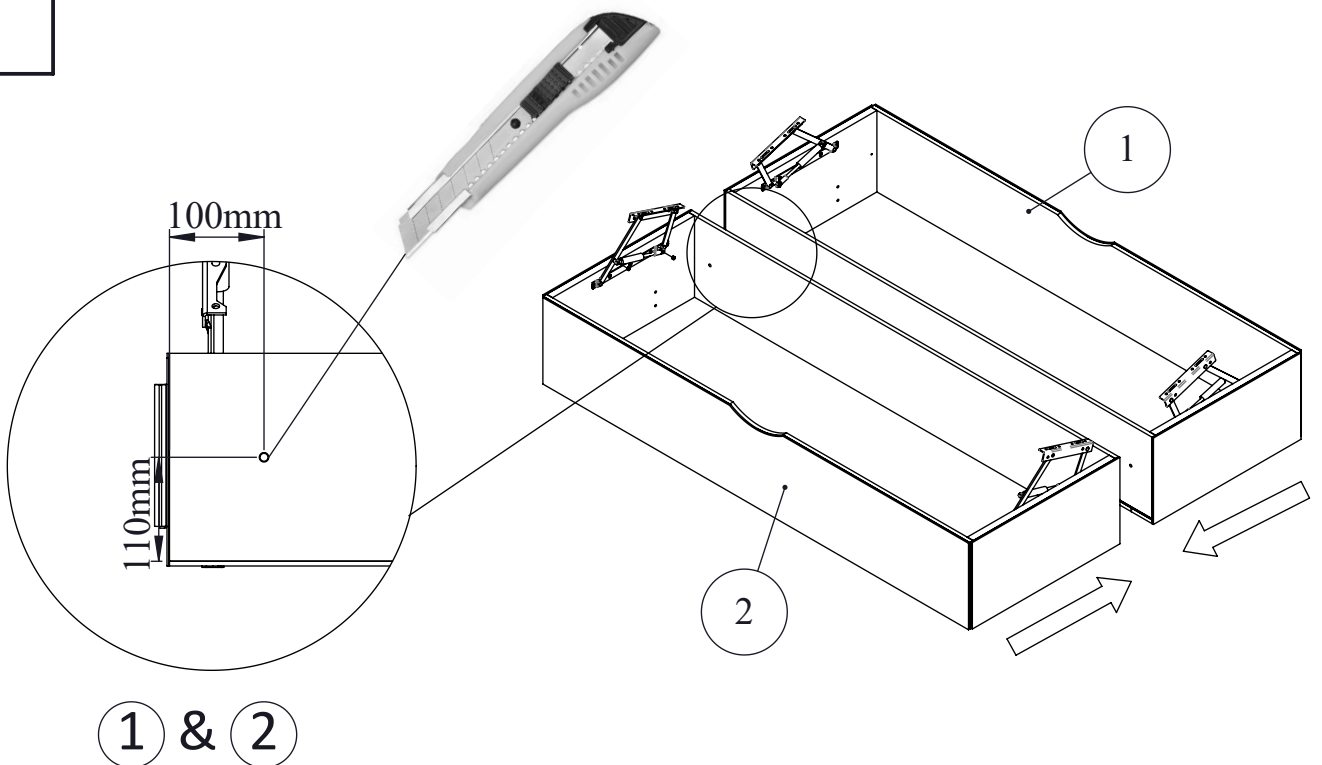
#5

lx1

3



4



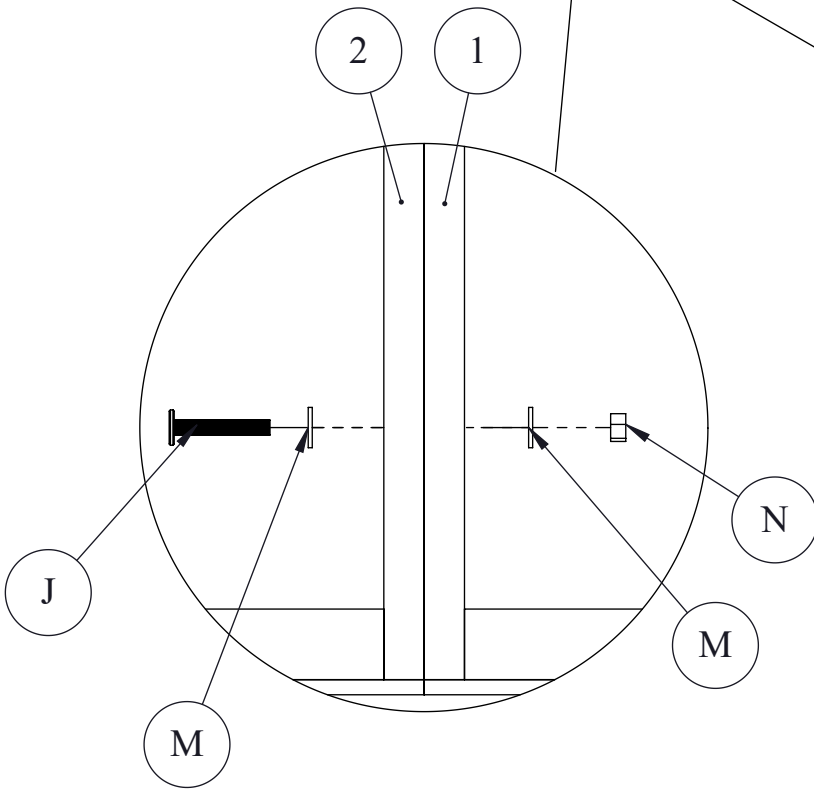
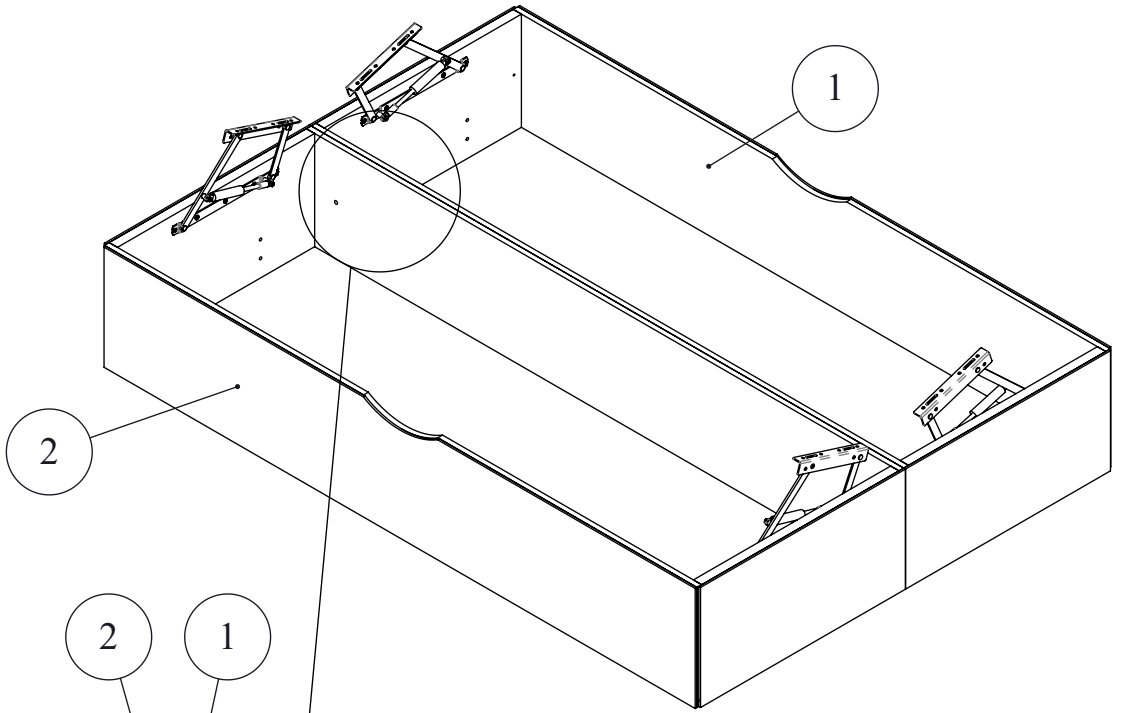
M8x60  
Jx1

M8  
Nx1

Mx2

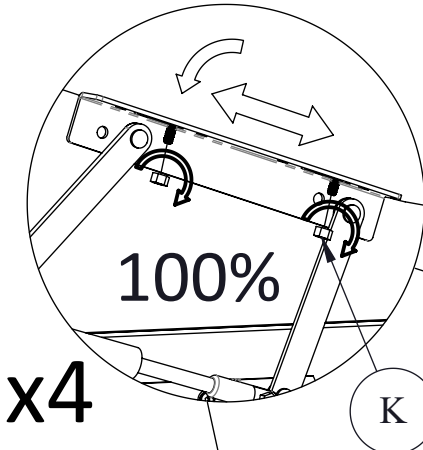
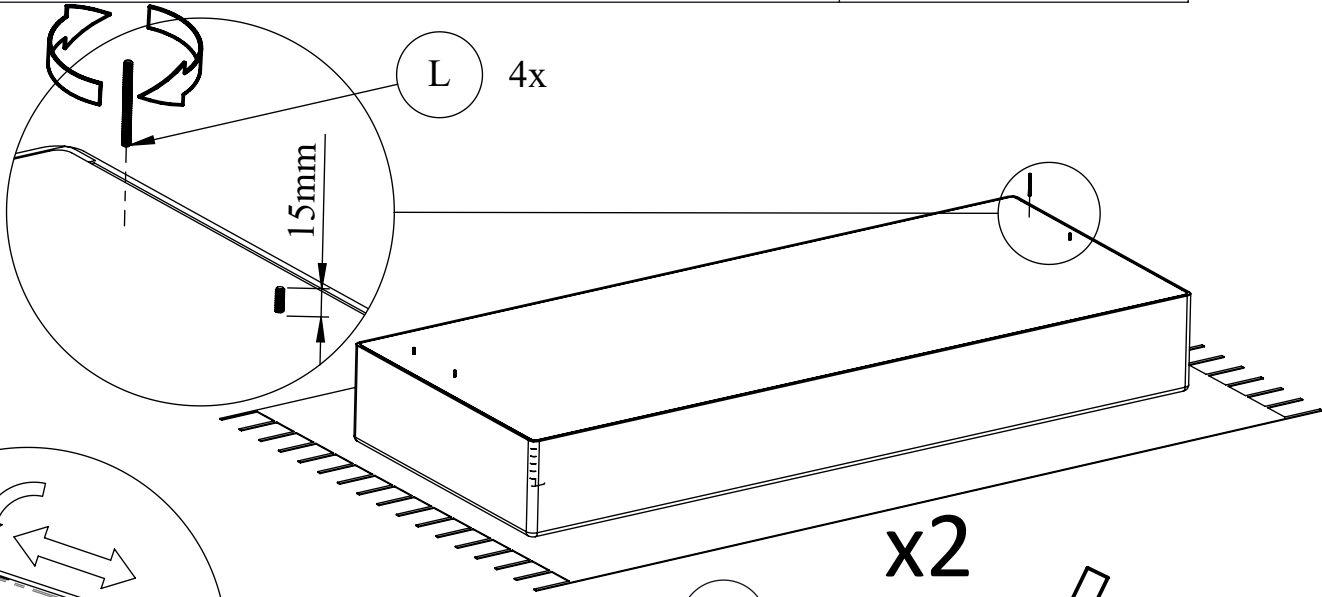
#13  
Fx1

5



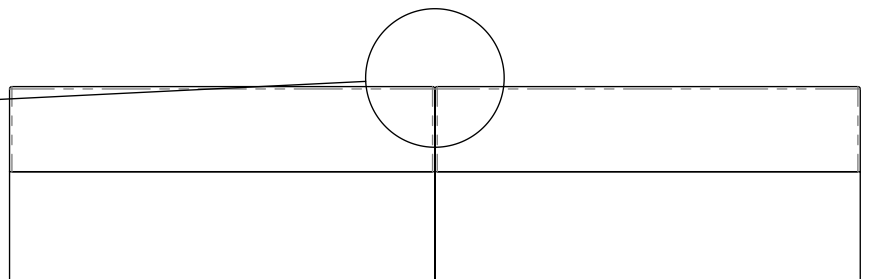
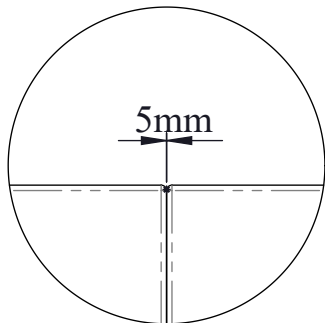
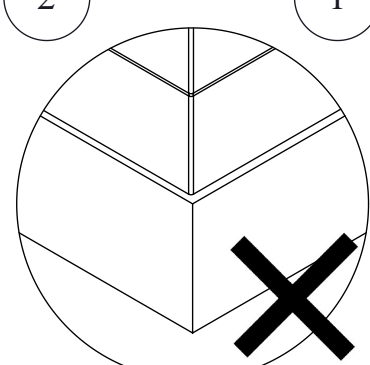
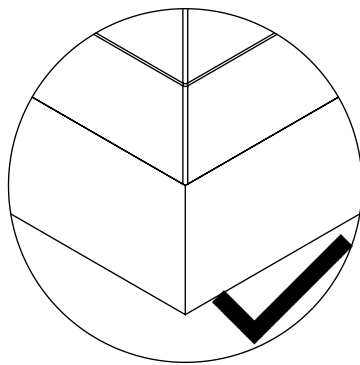
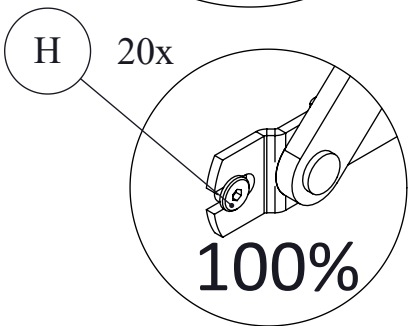
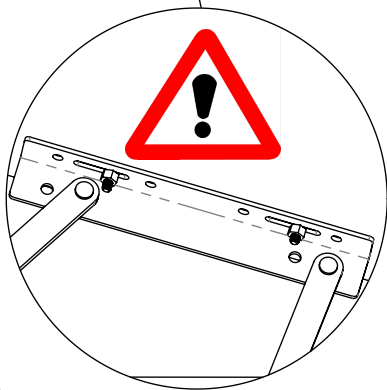
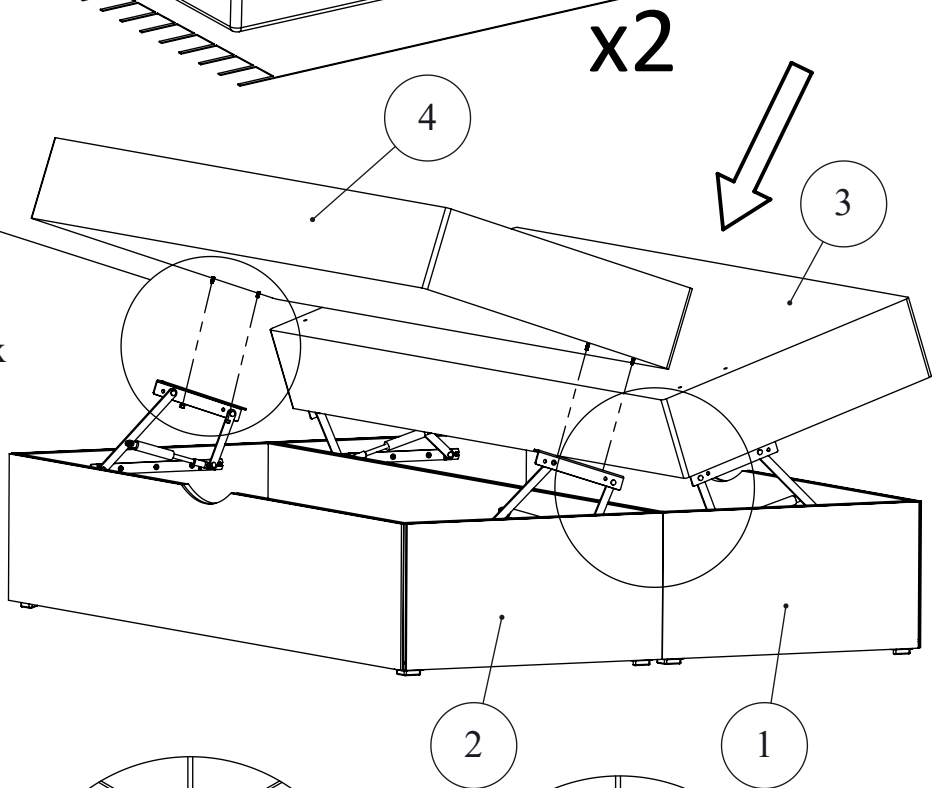
 M6x70 Lx8	 M6 Kx8	 #10 Gx1	 #4 Ex1
--	---	--	---

6

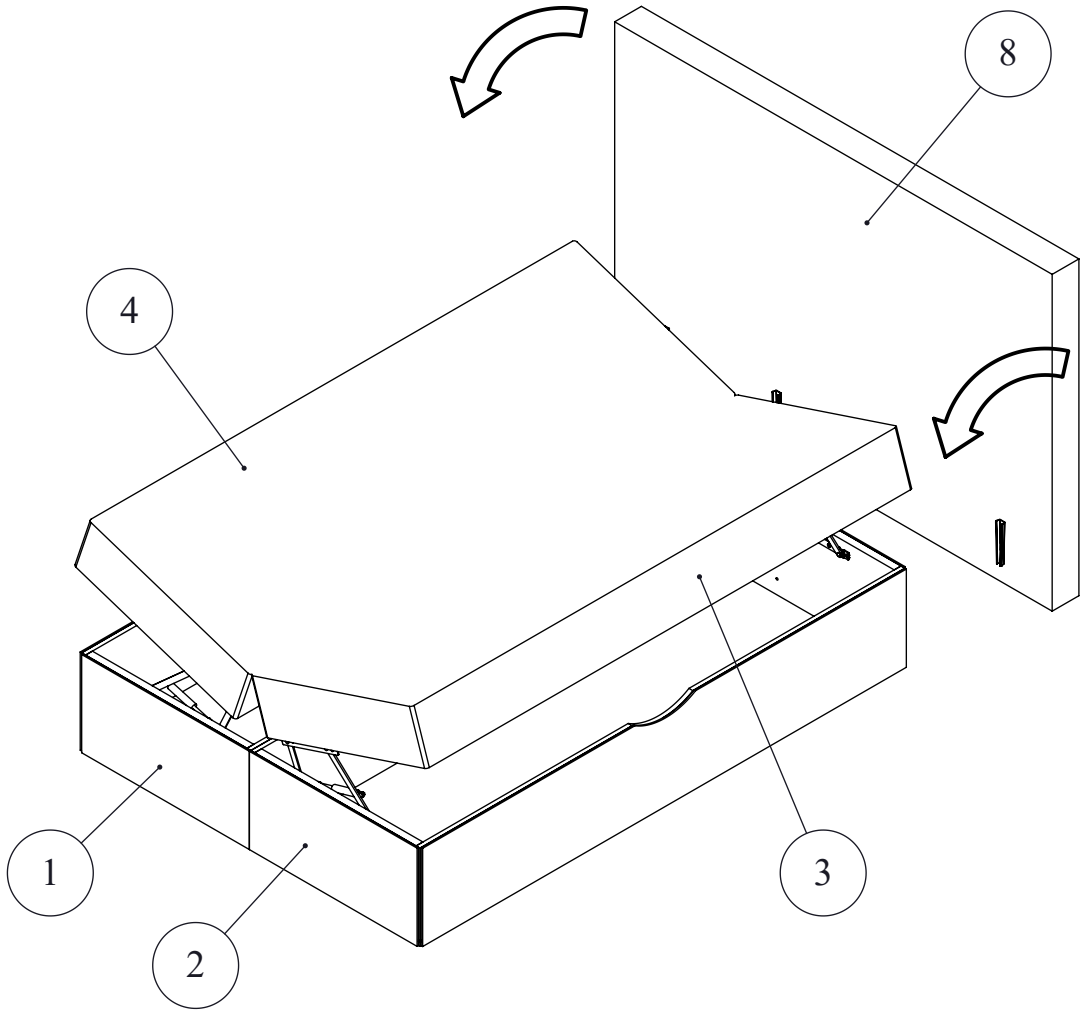


x4

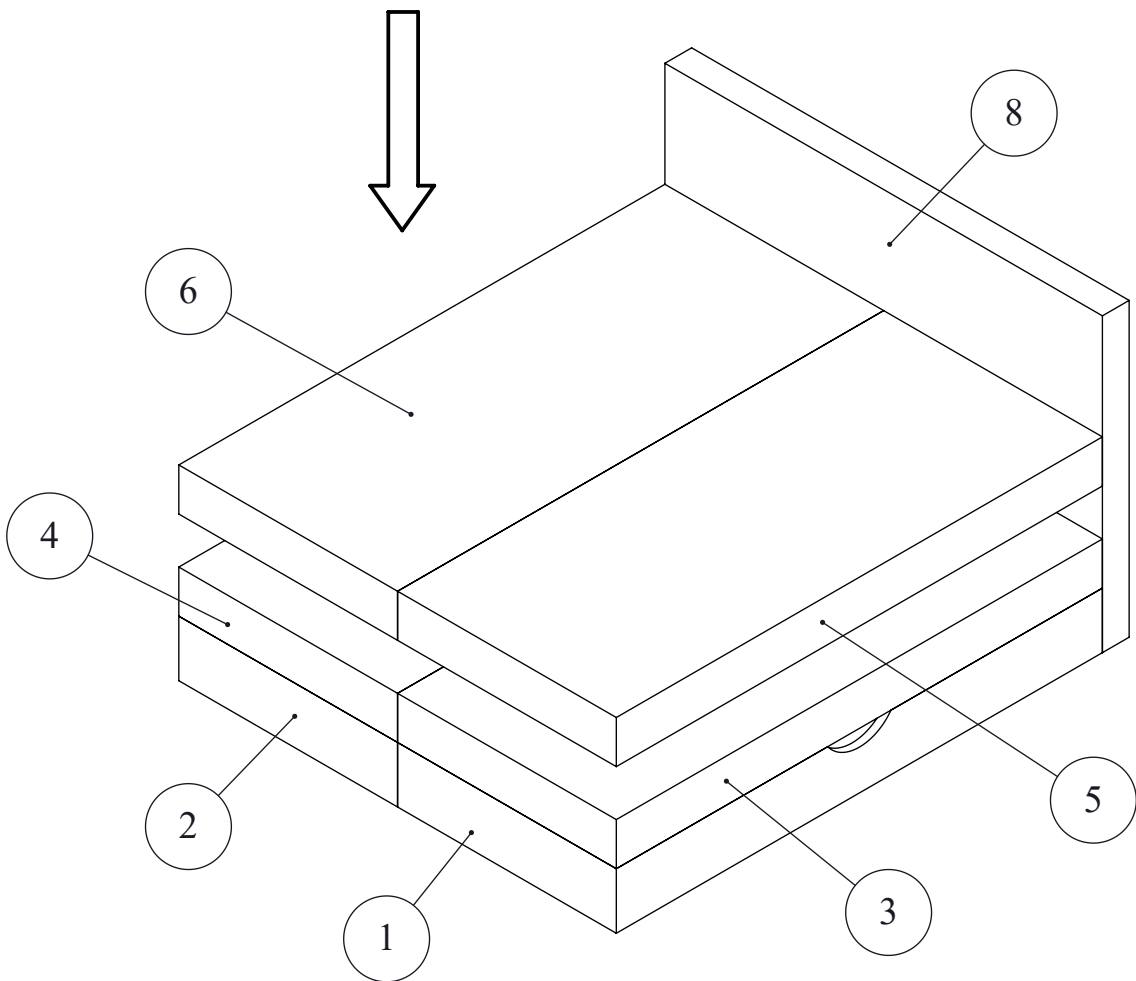
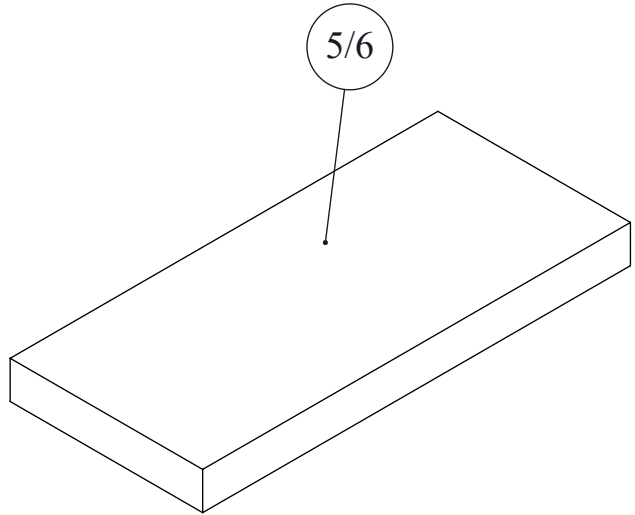
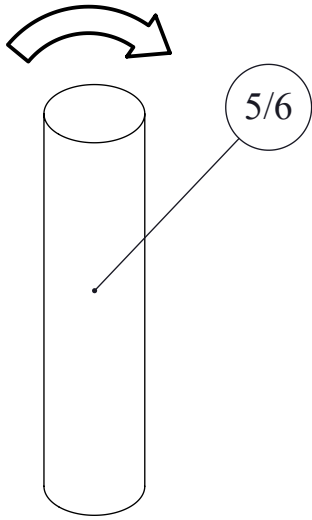
K 2x



7



8



9

